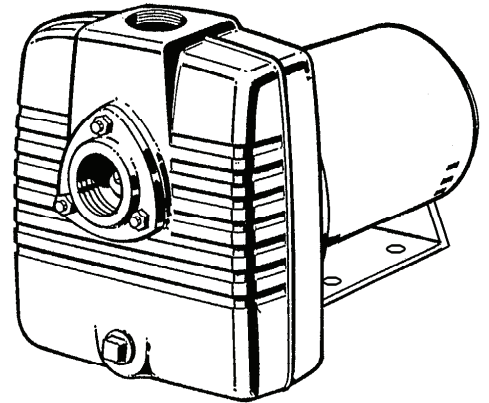


Self-Priming Universal/Electric Driven

Specifications:

| | |
|-------------------------------|--|
| SUCTION/DISCHARGE | 1½" x 1½" NPT, Female |
| LIQUID TEMPERATURE | 160°F (71°C) Continuous |
| INTERMEDIATE | Cast Iron ASTM A-48, Class 30 |
| VOLUTE | Cast Iron ASTM A-48, Class 30 |
| BODY | Cast Iron ASTM A-48, Class 30 |
| PEDESTAL | Cast Iron ASTM A-48, Class 30 |
| IMPELLER: <i>Design</i> | Semi-Open, Dynamically Balanced, ISO G6.3 |
| <i>Material</i> | Cast Iron ASTM A-48, Class 30 |
| SHAFT | Stainless Steel |
| SQUARE RINGS | Buna-N |
| HARDWARE | Series Stainless Steel |
| PAINT | Air Dry Enamel. |
| SEAL: <i>Design</i> | Mechanical |
| <i>Lubrication</i> | Self-Lubricating |
| <i>Material</i> | Rotating Faces - Carbon Stationary Faces - Ceramic Elastomer - Buna-N Hardware -300 Series Stainless |
| CHECK VALVE: | |
| <i>Material</i> | Valve Flap-Neoprene Weight-Cast Iron ASTM A-48, Class 30 |
| MOTOR: <i>Design</i> | Open Drip Proof, NEMA L - Single Phase, NEMA B - Three Phase Torque Curve. C-Face, Footed, Squirrel Cage Induction |
| <i>Insulation</i> | Class B |
| SINGLE PHASE | Capacitor Start, Dual Voltage 115/230 |
| THREE PHASE | Dual Voltage 230/460 |
| OPTIONAL EQUIPMENT | Seal Material, TEFC Motors |



Series: 3CCE
1-1/2HP, 3450RPM
MAX SPHERE 5/16"

Series: 4CCE
2HP, 3450RPM
MAX SPHERE 5/16"

Series: 5CCE
3HP, 3450RPM
MAX SPHERE 5/8"

DESCRIPTION:

SELF-PRIMING CENTRIFUGAL PUMPS
DESIGNED FOR MARINE, MUNICIPAL AND
INDUSTRIAL APPLICATIONS



WARNING:

CANCER AND REPRODUCTIVE HARM -
WWW.P65WARNINGS.CA.GOV



Series 3CCE, 4CCE, 5CCE

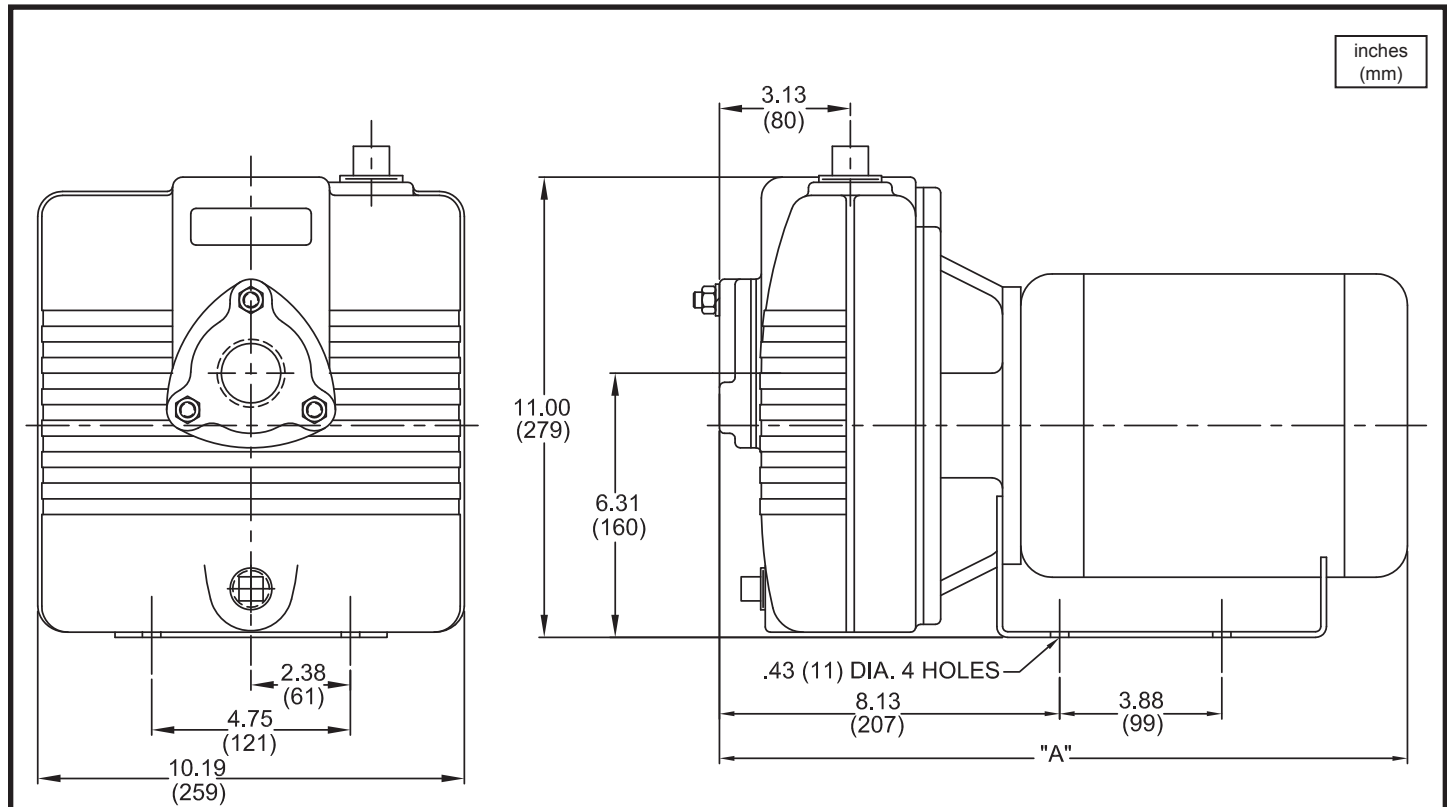
Electric Drive

1½" NPT

BARNES®

www.cranepumps.com

Self-Priming Universal/Electric Driven



* Overall Dimensions subject to Motor Manufacture.

| MODEL NO | PART NO | MOTOR DESIGN | HP | VOLT | PH | Hz | RPM (Nom) | FULL LOAD AMPS | LOCKED ROTOR AMPS | WEIGHT NET LBS (kg) | * A DIM |
|----------|---------|--------------|-----|---------|----|----|-----------|----------------|-------------------|---------------------|-------------|
| 3CCE | 027458 | ODP | 1.5 | 230/460 | 3 | 60 | 3450 | 6.0/3.0 | 40/20 | 84 (38) | 17.88 (454) |
| 3CCE-1 | 027460 | ODP | 1.5 | 115/230 | 1 | 60 | 3450 | 4.5/2.3 | 120/60 | 84 (38) | 18.44 (468) |
| 4CCE | 027464 | ODP | 2.0 | 230/460 | 3 | 60 | 3450 | 6.8/3.4 | 50/25 | 92 (42) | 18.44 (468) |
| 4CCE-1 | 027466 | ODP | 2.0 | 115/230 | 1 | 60 | 3450 | 5.9/3.0 | 144/72 | 92 (42) | 18.44 (468) |
| 5CCE | 027470 | ODP | 3.0 | 230/460 | 3 | 60 | 3450 | 9.6/4.8 | 64/32 | 94 (43) | 18.44 (468) |
| 5CCE-1 | 027472 | ODP | 3.0 | 115/230 | 1 | 60 | 3450 | 8.3/4.2 | 204/102 | 94 (43) | 19.69 (500) |
| 3CCE | 027458K | TEFC | 1.5 | 230/460 | 3 | 60 | 3450 | 5-4.6/2.3 | 36/18 | 91 (41.3) | 20.00 (508) |
| 3CCE-1 | 027460K | TEFC | 1.5 | 115/230 | 1 | 60 | 3450 | 16.6/8.3 | 84/42 | 107 (48.5) | 21.00 (534) |
| 4CCE | 027464C | TEFC | 2.0 | 230/460 | 3 | 60 | 3450 | 7-5.4/2.7 | 46/23 | 102 (46.3) | 21.00 (534) |
| 4CCE-1 | 027466M | TEFC | 2.0 | 115/230 | 1 | 60 | 3450 | 23/11.5 | 156/78 | 120 (54.4) | 21.92 (557) |
| 5CCE | 027470F | TEFC | 3.0 | 230/460 | 3 | 60 | 3450 | 8.1-7.6/3.8 | 66/33 | 100 (45.4) | 21.92 (557) |
| 5CCE-1 | 027472J | TEFC | 3.0 | 115/230 | 1 | 60 | 3450 | 29/14.5 | 172/86 | 134 (61) | 25.36 (644) |

IMPORTANT !

- DO NOT USE FOR PUMPING FLUIDS WITH A FLASH POINT OF LESS THAN 100°F.
- MAKE CERTAIN THAT PUMP AND/OR MOTOR ASSEMBLY AND CONTROLS HAVE THE APPROPRIATE RATINGS FOR THE GIVEN APPLICATION AREA CLASSIFICATION. (ie DIVISION I, AGENCY LISTING ETC.)

SECTION 4E
PAGE 2
DATE 6/18

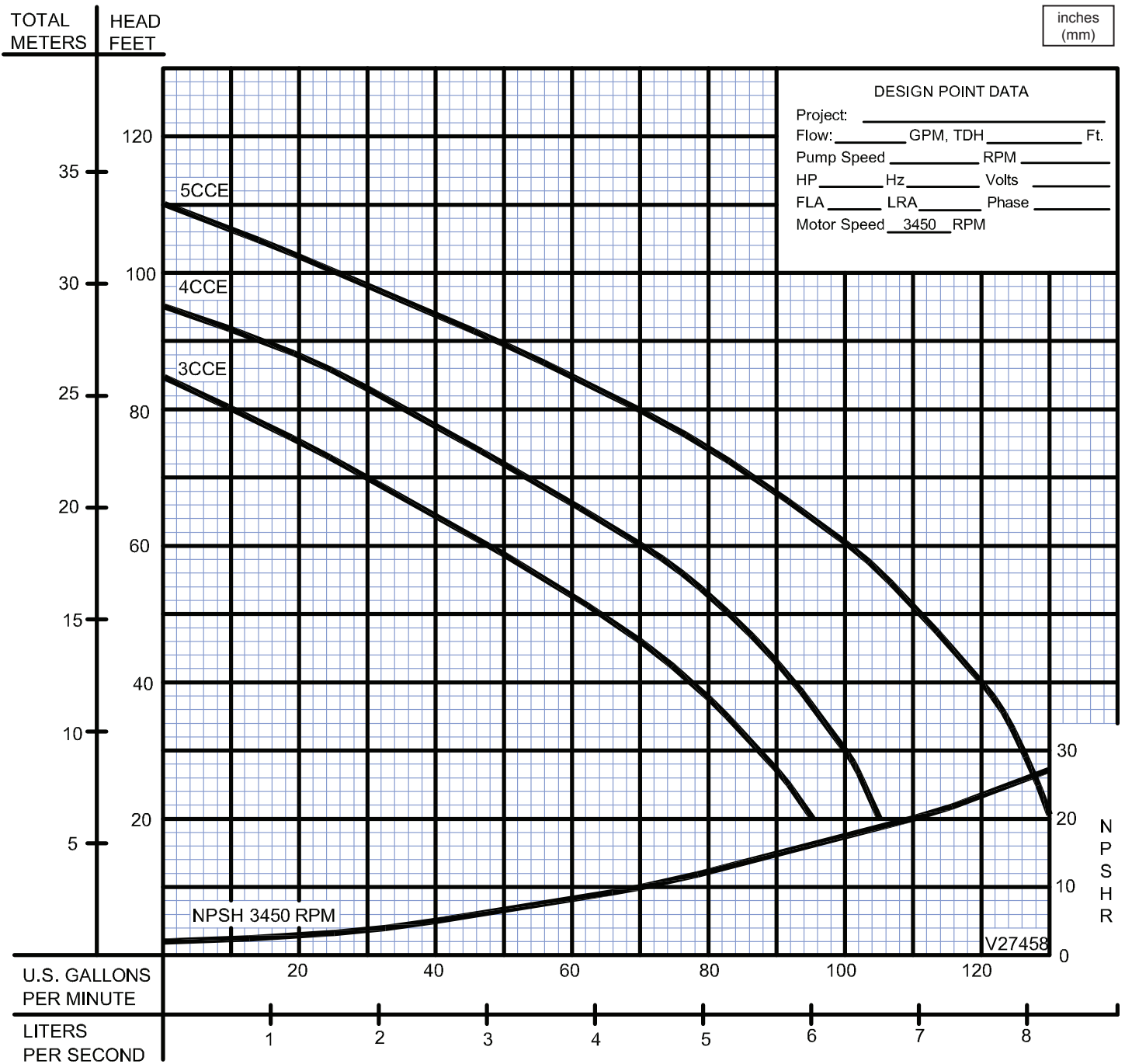
CRANE®

A Crane Co. Company

PUMPS & SYSTEMS

USA: (937) 778-8947 • Canada: (905) 457-6223 • International: (937) 615-3598

Self-Priming Universal/Electric Driven



Testing is performed with water, specific gravity 1.0 @ 68° F @ (20°C), other fluids may vary performance