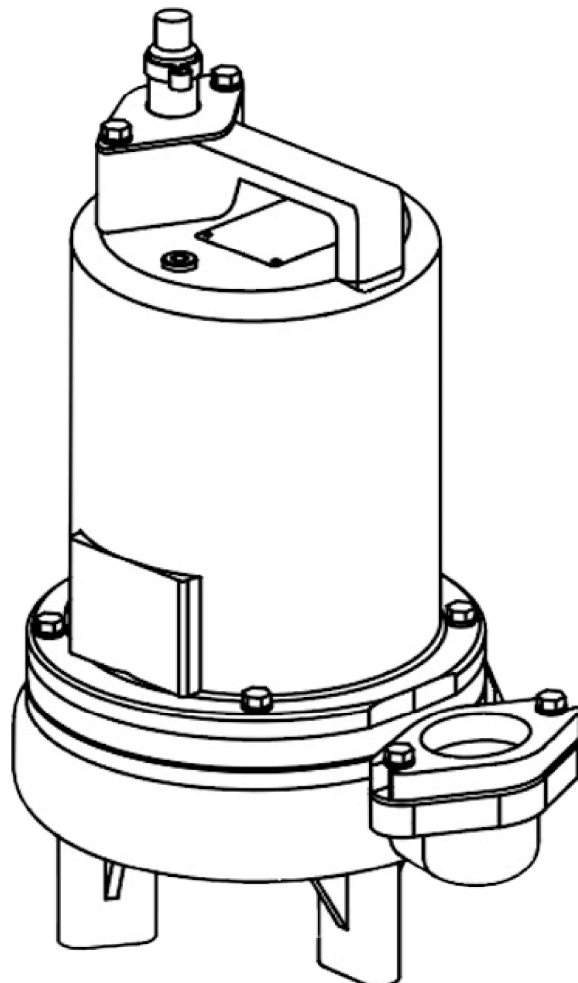


## 2SEV-L – 2 HP

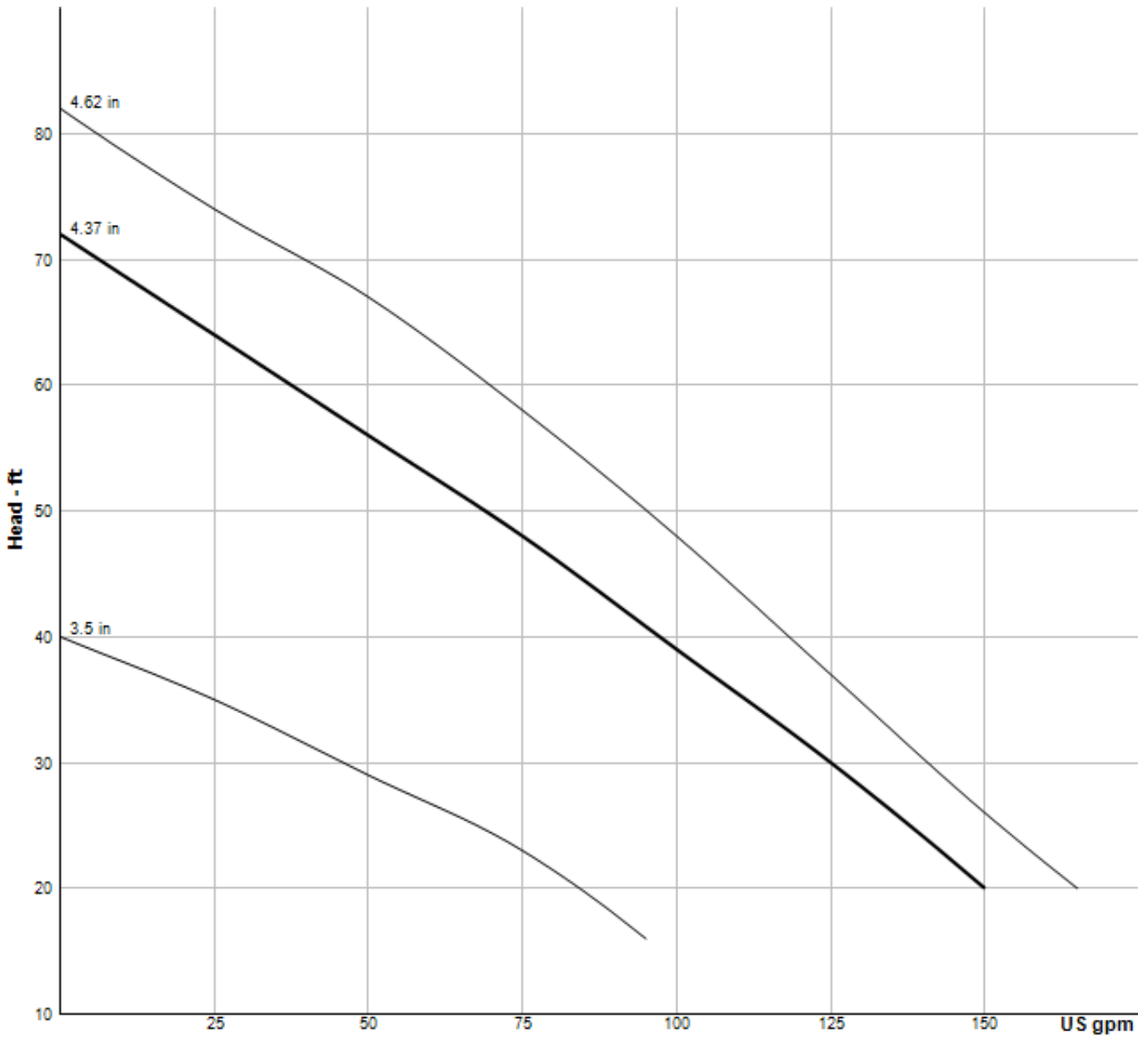
**2" Spherical Solids Handling - Vortex, Single Seal**



## Specifications

<b>DISCHARGE:</b>	2" NPT, Female, vertical, bolt-on-flange
<b>SPEED:</b>	3450 RPM (Nominal)
<b>LIQUID TEMPERATURE:</b>	104°F (40°C) Continuous
<b>MOTOR HOUSING:</b>	Cast iron ASTM A-48, class 30
<b>PUMP BODY:</b>	Cast iron ASTM A-48, class 30
<b>IMPELLER:</b>	<ul style="list-style-type: none"> <li>• <b>Design:</b> Vortex, open, with pump out vanes on back side. Dynamically balanced, ISO G6.3</li> <li>• <b>Material:</b> Cast iron ASTM A-48, class 30</li> </ul>
<b>CORD ENTRY:</b>	20 ft. (6m) Cord. Quick connect custom molded for sealing and strain relief. Plug supplied on 120V, 0.50HP, units.
<b>SINGLE PHASE:</b>	Permanent split capacitor (PSC) includes overload protection in motor
<b>THREE PHASE:</b>	200-240/480 is Tri-Voltage. 600V. Requires Overload Protection to be included in control panel
<b>MOTOR:</b>	<ul style="list-style-type: none"> <li>• <b>Design:</b> NEMA L -single phase, NEMA B -three phase torque curve, oil filled, squirrel cage induction</li> <li>• <b>Insulation:</b> Class B &amp; class F on selected models</li> </ul>
<b>UPPER BEARING:</b>	<ul style="list-style-type: none"> <li>• <b>Design:</b> Single row, ball</li> <li>• <b>Lubrication:</b> Oil</li> <li>• <b>Load:</b> Radial</li> </ul>
<b>LOWER BEARING:</b>	<ul style="list-style-type: none"> <li>• <b>Design:</b> Single row, ball</li> <li>• <b>Lubrication:</b> Oil</li> <li>• <b>Load:</b> Radial &amp; Thrust</li> </ul>
<b>VOLUTE:</b>	Cast iron ASTM A-48, class 30
<b>SHAFT:</b>	416 Stainless steel
<b>SQUARE RINGS:</b>	Buna-N
<b>HARDWARE:</b>	300 Series stainless steel
<b>PAINT:</b>	Air dry enamel
<b>SEAL PLATE</b>	Cast iron ASTM A-48, class 30
<b>SEAL:</b>	<ul style="list-style-type: none"> <li>• <b>Design:</b> Single mechanical</li> <li>• <b>Material:</b> Carbon/Ceramic/Buna-N</li> <li>• <b>Hardware:</b> 300 Series stainless steel</li> </ul>
<b>SEAL KIT P/N:</b>	130181
<b>SERVICE KIT P/N:</b>	130208

**Curves**



Pump HP	Impeller Dia mm (in.)
2	117 (4.62)
1.5	111 (4.37)

Model Information

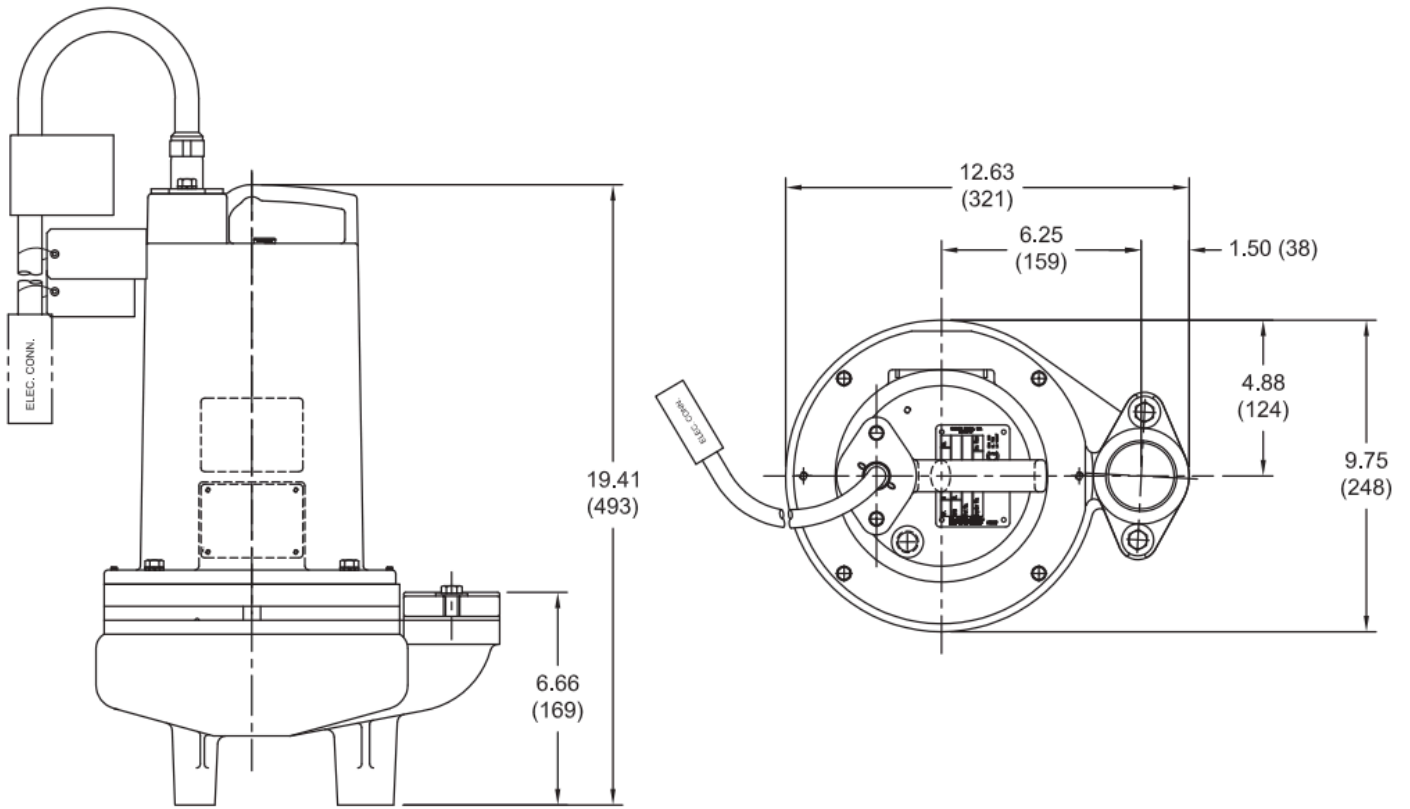
PUMP MODEL NUMBER	2SEV2022L	2SEV2092L	2SEV2042L	2SEV2052L
PART NUMBER	104190	104191	104192	105775
HP	2	2	2	2
VOLTAGE/PHASE	240/1	200/240/3	480/3	600/3
HZ	60	60	60	60
RPM (NOMINAL)	3450	3450	3450	3450
NEMA START CORD	C	J	J	J
INSULATION CLASS	F	F	F	B
FULL LOAD AMPS	15.6	10.8/10.0	5.5	4.0
LOCKED ROTOR AMPS	42.0	30.0	15.0	12.0
CORD SIZE	12/3	14/4	14/4	14/4
CORD TYPE	SOW	SOW	SOW	SOW
CORD O.D INCH (MM)	0.610 (15.5)	0.600 (15.2)	0.600 (15.2)	0.600 (15.2)
WEIGHT (LBS)	100	100	100	100




**IMPORTANT**

- 1.) PUMP MAY BE OPERATED "DRY" FOR EXTENDED PERIODS WITHOUT DAMAGE TO MOTOR AND/OR SEALS.
- 2.) INSTALLATIONS SUCH AS DECORATIVE FOUNTAINS OR WATER FEATURES PROVIDED FOR VISUAL ENJOYMENT MUST BE INSTALLED IN ACCORDANCE WITH THE NATIONAL ELECTRIC CODE ANSI/NFPA 70 AND/OR THE AUTHORITY HAVING JURISDICTION. THIS PUMP IS NOT INTENDED FOR USE IN SWIMMING POOLS, RECREATIONAL WATER PARKS, OR INSTALLATIONS IN WHICH HUMAN CONTACT WITH PUMPED MEDIA IS A COMMON OCCURRENCE.

Drawings



 All dimensions are in inches (mm)