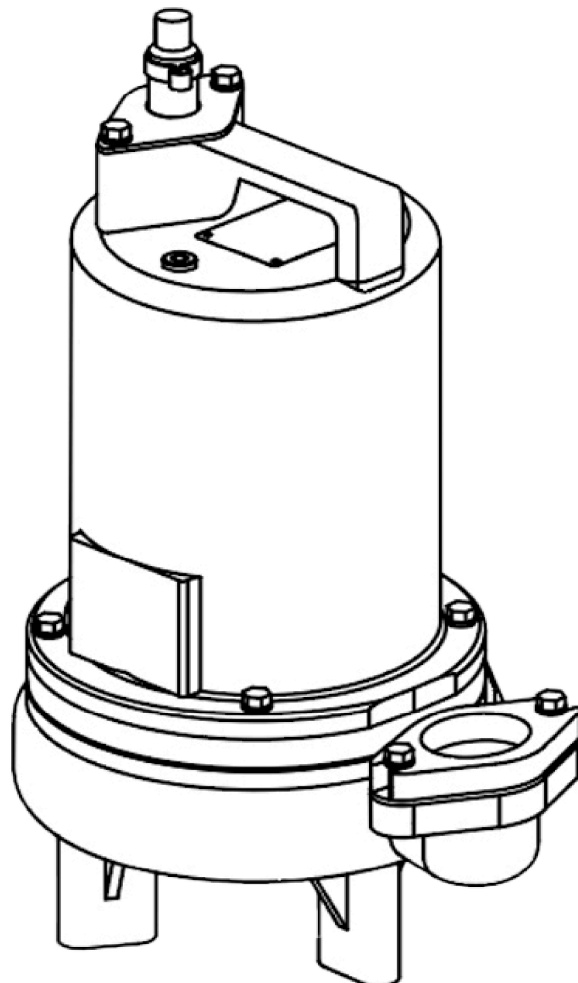


2SEV-L – 1HP

2" Spherical Solids Handling - Vortex, Single Seal

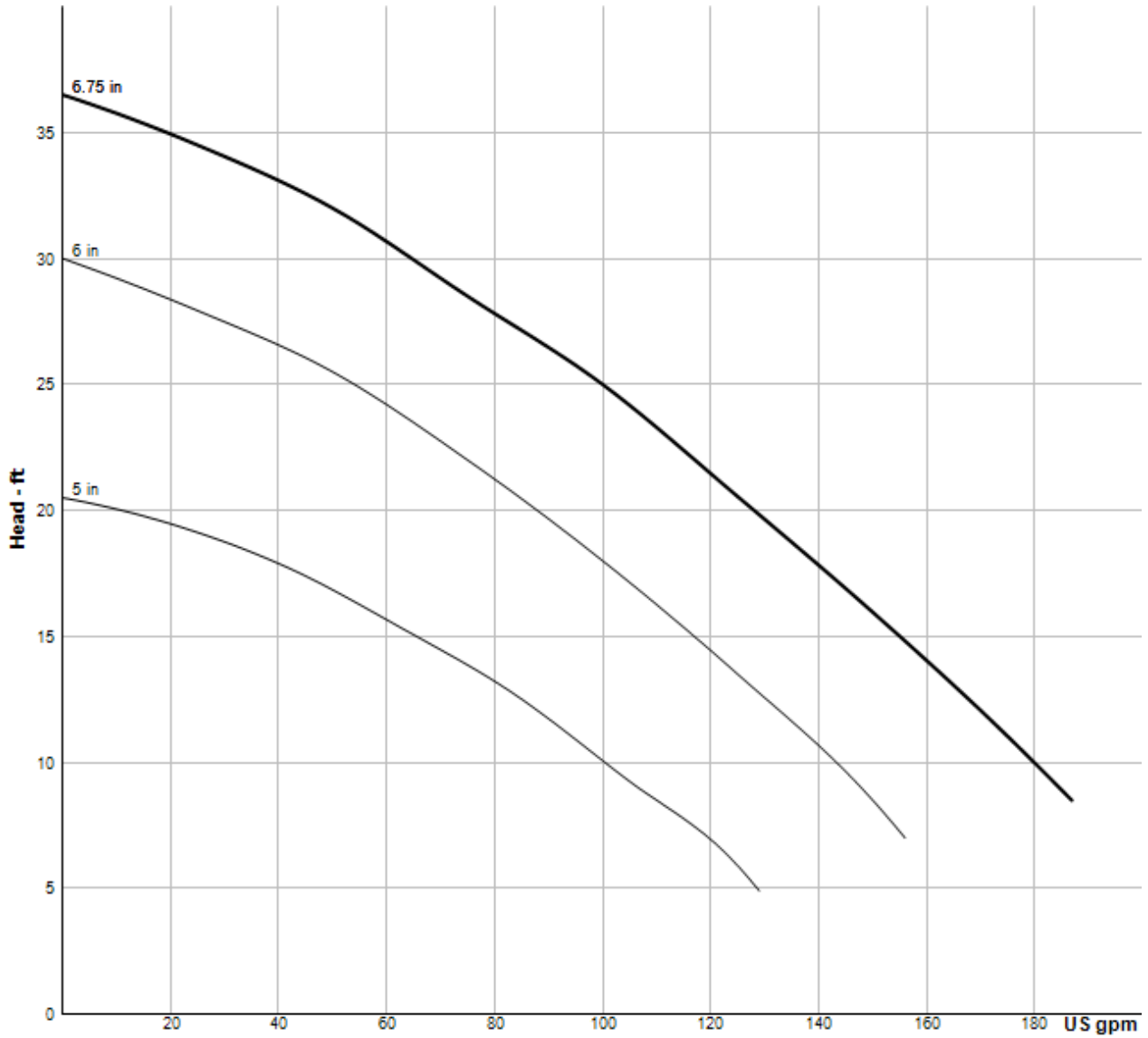


Specifications

DISCHARGE:	2" NPT, Female, vertical, bolt-on-flange
SPEED:	1750 & 3450 RPM (Nominal)
LIQUID TEMPERATURE:	104°F (40°C) Continuous
MOTOR HOUSING:	Cast iron ASTM A-48, class 30
PUMP BODY:	Cast iron ASTM A-48, class 30
IMPELLER:	<ul style="list-style-type: none"> • Design: Vortex, open, with pump out vanes on back side. Dynamically balanced, ISO G6.3 • Material: Cast iron ASTM A-48, class 30
CORD ENTRY:	20 ft. (6m) Cord. Quick connect custom molded for sealing and strain relief. Plug supplied on 120V, 0.50HP, units.
SINGLE PHASE:	Permanent split capacitor (PSC) includes overload protection in motor
THREE PHASE:	200-240/480 is Tri-Voltage. 600V. Requires Overload Protection to be included in control panel
MOTOR:	<ul style="list-style-type: none"> • Design: NEMA L -single phase, NEMA B -three phase torque curve, oil filled, squirrel cage induction • Insulation: Class B & class F on selected models
UPPER BEARING:	<ul style="list-style-type: none"> • Design: Single row, ball • Lubrication: Oil • Load: Radial
LOWER BEARING:	<ul style="list-style-type: none"> • Design: Single row, ball • Lubrication: Oil • Load: Radial & Thrust
VOLUTE:	Cast iron ASTM A-48, class 30
SHAFT:	416 Stainless steel
SQUARE RINGS:	Buna-N
HARDWARE:	300 Series stainless steel
PAINT:	Air dry enamel
SEAL PLATE	Cast iron ASTM A-48, class 30
SEAL:	<ul style="list-style-type: none"> • Design: Single mechanical • Material: Carbon/Ceramic/Buna-N • Hardware: 300 Series stainless steel
SEAL KIT P/N:	130180
SERVICE KIT P/N:	130207

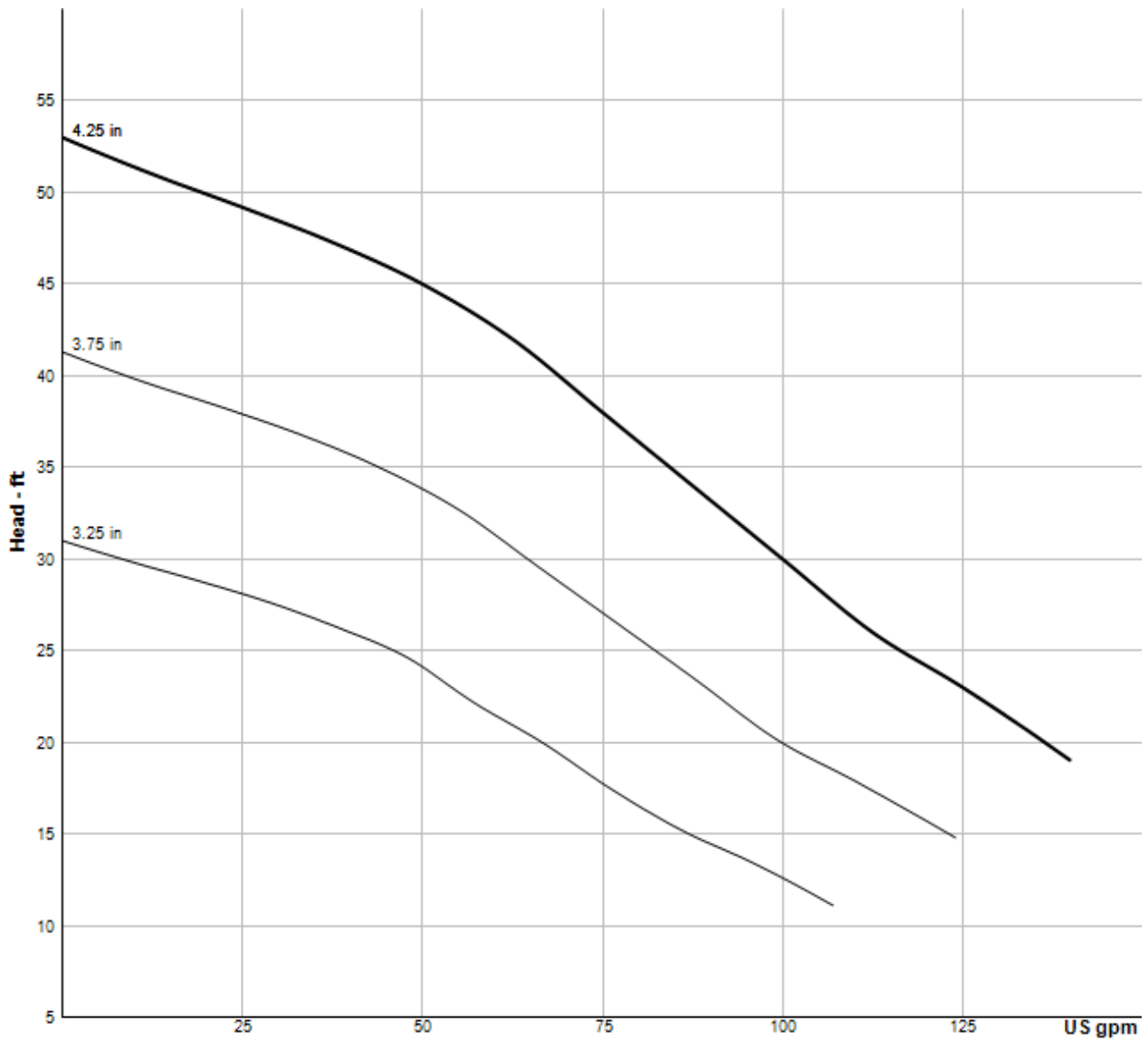
Curves

1750 RPM



Pump HP	Impeller Dia mm (in.)
0.75	152 (6.00)
1	172 (6.75)

3450 RPM 3 Phase



Pump HP	Impeller Dia mm (in.)
1	108 (4.25)
0.50	89 (3.50)

Model Information

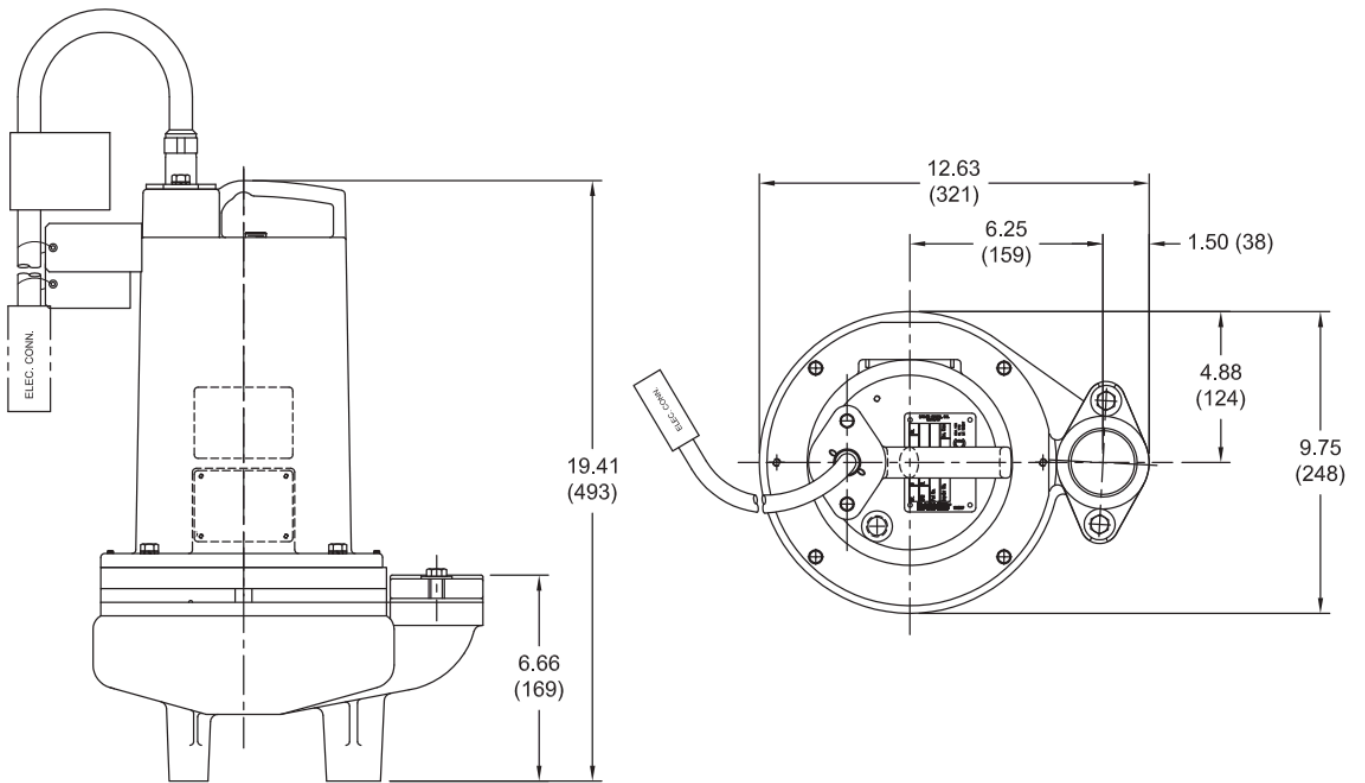
PUMP MODEL NUMBER	2SEV1024L	2SEV1094L	2SEV1044L	2SEV1054L	2SEV1022L	2SEV1092L	2SEV1042L	2SEV1052L
PART NUMBER	104936	104937	104938	104939	104982	104983	104985	104986
HP	1	1	1	1	1	1	1	1
VOLTAGE/PHASE	240/1	200-240/3	480/3	600/3	240/1	200-240/3	480/3	600/3
HZ	60	60	60	60	60	60	60	60
RPM (NOMINAL)	1750	1750	1750	1750	3450	3450	3450	3450
NEMA START CODE	G	E/H	H	J	F	H/J	J	L
INSULATION CLASS	F	B	B	B	B	B	B	B
FULL LOAD AMPS	8.5	5.3/5.1	2.5	2.2	10.7	7.9/7.5	3.7	2.9
LOCKED ROTOR AMPS	25.8	13.7/15.4	7.7	7.2	21.8	19.9/18.4	9.1	8.7
CORD SIZE	14/3	14/4	14/4	14/4	14/3	14/4	14/4	14/4
CORD TYPE	SOW	SOW	SOW	SOW	SOW	SOW	SOW	SOW
CORD O.D INCH (MM)	0.530 (13.5)	0.570 (14.5)	0.570 (14.5)	0.570 (14.5)	0.530 (13.5)	0.570 (14.5)	0.570 (14.5)	0.570 (14.5)
WEIGHT (LBS)	85	85	85	85	90	90	90	90



IMPORTANT

- 1.) PUMP MAY BE OPERATED "DRY" FOR EXTENDED PERIODS WITHOUT DAMAGE TO MOTOR AND/OR SEALS.
- 2.) INSTALLATIONS SUCH AS DECORATIVE FOUNTAINS OR WATER FEATURES PROVIDED FOR VISUAL ENJOYMENT MUST BE INSTALLED IN ACCORDANCE WITH THE NATIONAL ELECTRIC CODE ANSINFP 70 AND/OR THE AUTHORITY HAVING JURISDICTION. THIS PUMP IS NOT INTENDED FOR USE IN SWIMMING POOLS, RECREATIONAL WATER PARKS, OR INSTALLATIONS IN WHICH HUMAN CONTACT WITH PUMPED MEDIA IS A COMMON OCCURRENCE.

Drawings



All dimensions are in inches (mm)