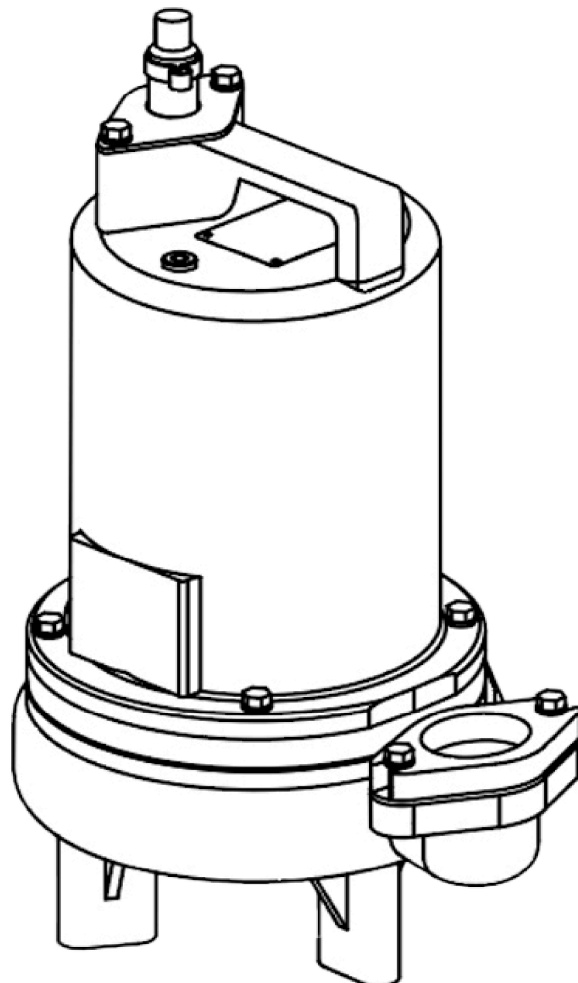


2SEV-L – .75HP

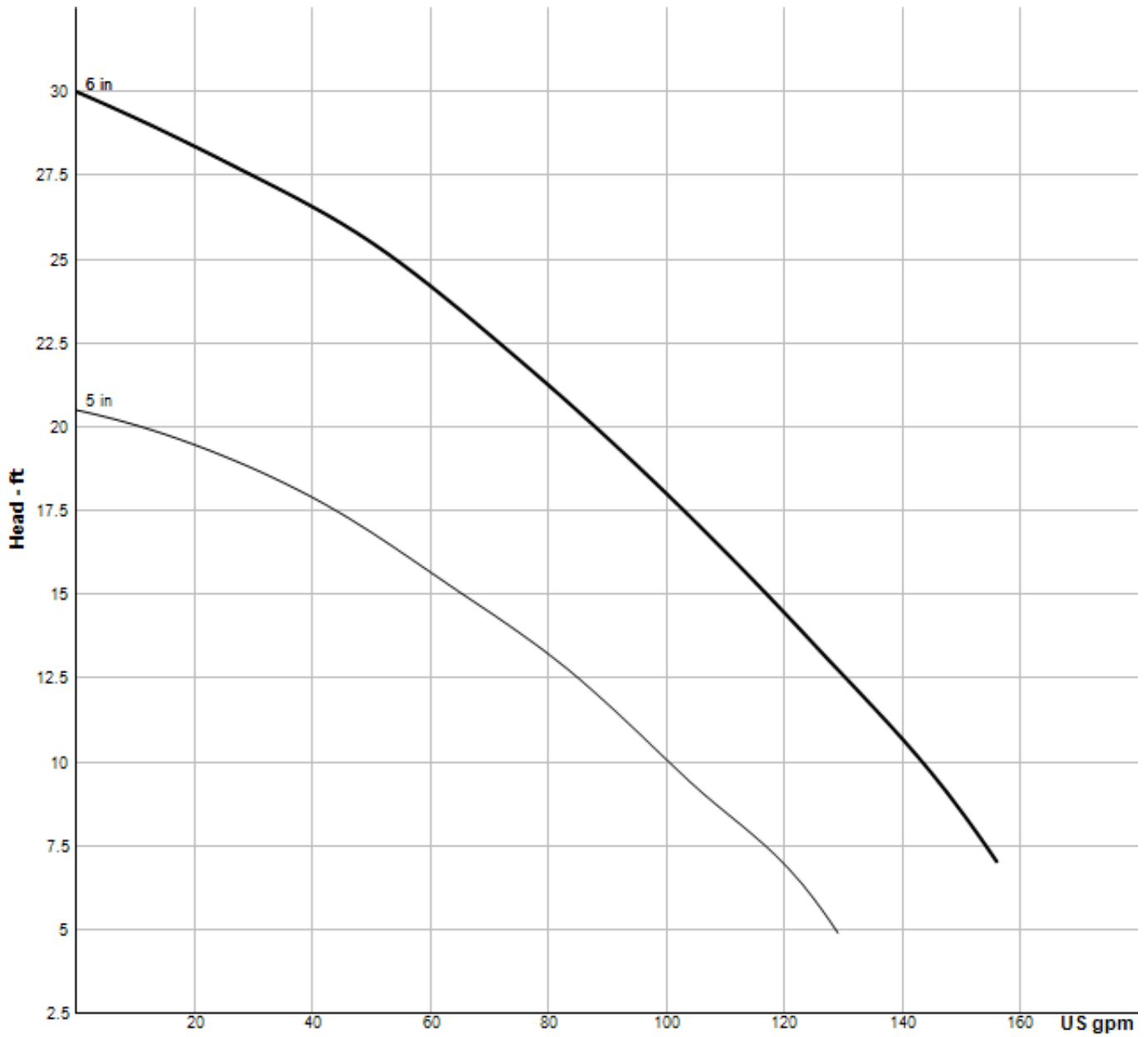
2" Spherical Solids Handling - Vortex, Single Seal



Specifications

DISCHARGE:	2" NPT, Female, vertical, bolt-on-flange
SPEED:	1750 RPM (Nominal)
LIQUID TEMPERATURE:	104°F (40°C) Continuous
MOTOR HOUSING:	Cast iron ASTM A-48, class 30
PUMP BODY:	Cast iron ASTM A-48, class 30
IMPELLER:	<ul style="list-style-type: none"> • Design: Vortex, open, with pump out vanes on back side. Dynamically balanced, ISO G6.3 • Material: Cast iron ASTM A-48, class 30
CORD ENTRY:	20 ft. (6m) Cord. Quick connect custom molded for sealing and strain relief. Plug supplied on 120V, 0.50HP, units.
SINGLE PHASE:	Permanent split capacitor (PSC) includes overload protection in motor
THREE PHASE:	200-240/480 is Tri-Voltage. 600V. Requires Overload Protection to be included in control panel
MOTOR:	<ul style="list-style-type: none"> • Design: NEMA L -single phase, NEMA B -three phase torque curve, oil filled, squirrel cage induction • Insulation: Class B & class F on selected models
SEAL:	<ul style="list-style-type: none"> • Design: Single mechanical • Material: Carbon/Ceramic/Buna-N • Hardware: 300 Series stainless steel
UPPER BEARING:	<ul style="list-style-type: none"> • Design: Single row, ball • Lubrication: Oil • Load: Radial
LOWER BEARING:	<ul style="list-style-type: none"> • Design: Single row, ball • Lubrication: Oil • Load: Radial & Thrust
VOLUTE:	Cast iron ASTM A-48, class 30
SHAFT:	416 Stainless steel
SQUARE RINGS:	Buna-N
HARDWARE:	300 Series stainless steel
PAINT:	Air dry enamel
SEAL PLATE	Cast iron ASTM A-48, class 30
SEAL KIT P/N:	130180
SERVICE KIT P/N:	130207

Curves



Pump HP	Impeller Dia mm (in.)
1	172 (6.75)
0.75	152 (6.00)

Model Information

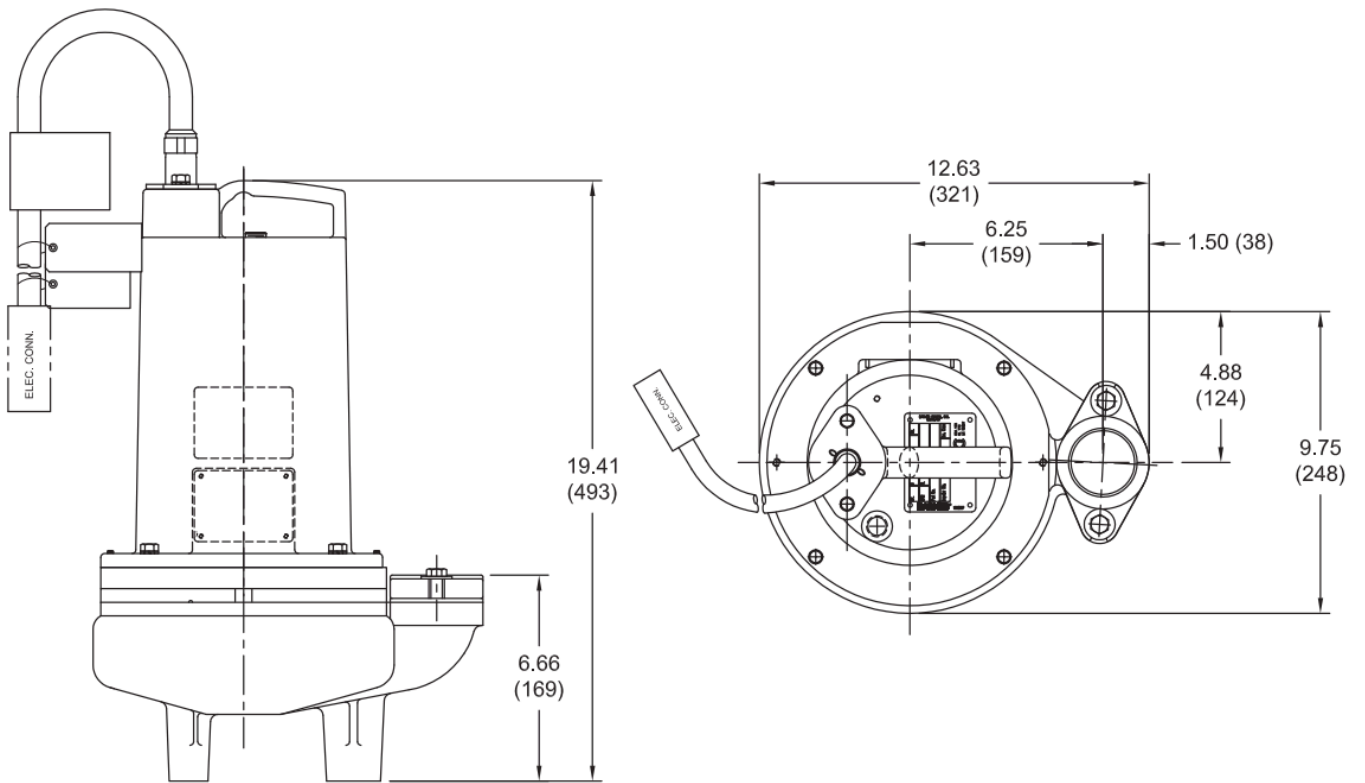
PUMP MODEL NUMBER	2SEV724L	2SEV794L	2SEV744L	2SEV754L
PART NUMBER	104928	104929	104930	104931
HP	0.75	0.75	0.75	0.75
VOLTAGE/PHASE	240/1	200-240/3	480/3	600/3
HZ	60	60	60	60
RPM (NOMINAL)	1750	1750	1750	1750
NEMA START CODE	K	H/K	K	L
INSULATION CLASS	F	B	B	B
FULL LOAD AMPS	7.1	4.8/4.6	2.3	1.6
LOCKED ROTOR AMPS	25.8	13.7/15.4	7.7	7.2
CORD SIZE	14/3	14/4	14/4	14/4
CORD TYPE	SOW	SOW	SOW	SOW
CORD O.D INCH (MM)	0.530 (13.5)	0.570 (14.5)	0.570 (14.5)	0.570 (14.5)
WEIGHT (LBS)	75	75	75	75



IMPORTANT

- 1.) PUMP MAY BE OPERATED "DRY" FOR EXTENDED PERIODS WITHOUT DAMAGE TO MOTOR AND/OR SEALS.
- 2.) INSTALLATIONS SUCH AS DECORATIVE FOUNTAINS OR WATER FEATURES PROVIDED FOR VISUAL ENJOYMENT MUST BE INSTALLED IN ACCORDANCE WITH THE NATIONAL ELECTRIC CODE ANSI/NFPA 70 AND/OR THE AUTHORITY HAVING JURISDICTION. THIS PUMP IS NOT INTENDED FOR USE IN SWIMMING POOLS, RECREATIONAL WATER PARKS, OR INSTALLATIONS IN WHICH HUMAN CONTACT WITH PUMPED MEDIA IS A COMMON OCCURRENCE.

Drawings



All dimensions are in inches (mm)