

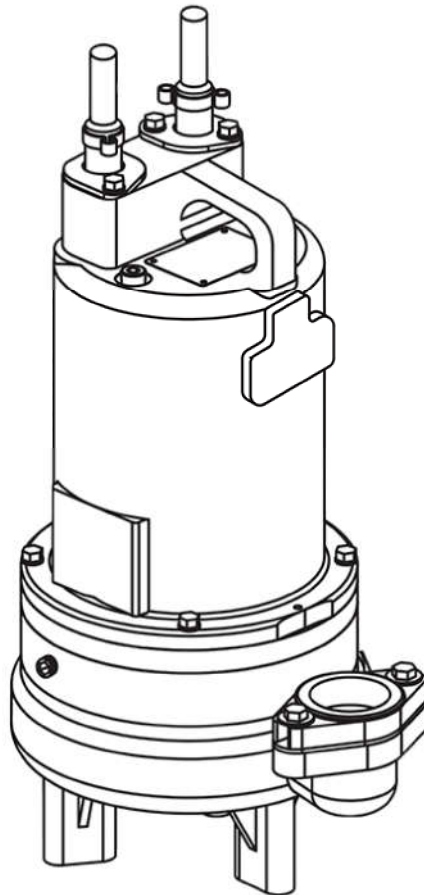
CRANE

PUMPS & SYSTEMS

BARNES

2SEV-DS – 1 HP

2" Spherical Solids Handling - Vortex, Double Seal

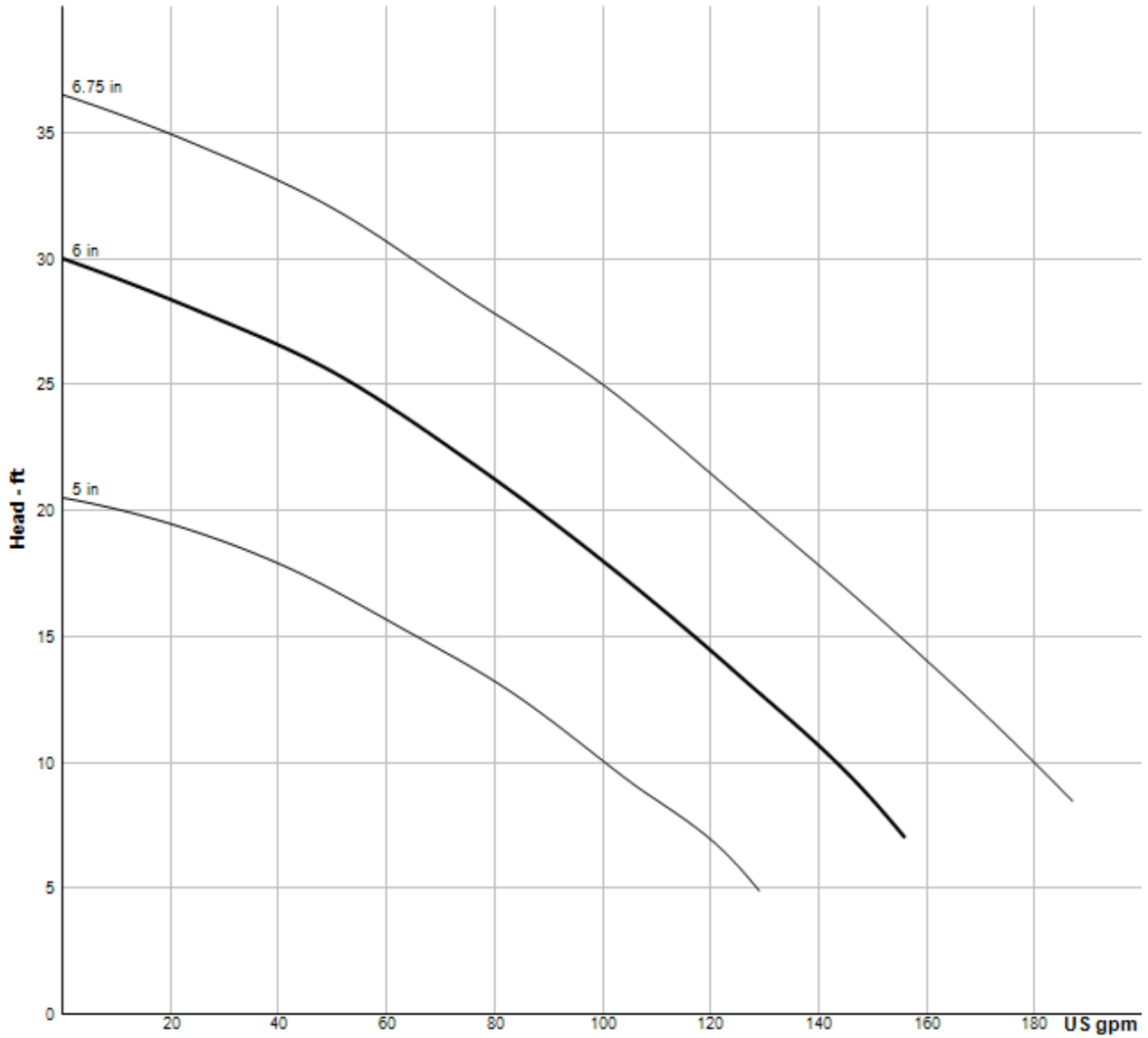


Specifications

DISCHARGE:	2" NPT, Female, vertical, bolt-on-flange
SPEED:	1750 & 3450 RPM (Nominal)
LIQUID TEMPERATURE:	104°F (40°C) Continuous
MOTOR HOUSING:	Cast iron ASTM A-48, class 30
PUMP BODY:	Cast iron ASTM A-48, class 30
IMPELLER:	<ul style="list-style-type: none"> • Design: Vortex, open, with pump out vanes on back side. Dynamically balanced, ISO G6.3 • Material: Cast iron ASTM A-48, class 30
CORD ENTRY:	20 ft. (6.1m) Cord with plug on 120 volt & .5HP, 240 volt, 1 phase. Quick connect custom molded for sealing and strain relief
SINGLE PHASE:	Permanent split capacitor (PSC) includes overload protection in motor
THREE PHASE:	200-240/480 is Tri-Voltage. 600V. Requires Overload Protection to be included in control panel
MOTOR:	<ul style="list-style-type: none"> • Design: NEMA L -single phase, NEMA B -three phase torque curve, oil filled, squirrel cage induction • Insulation: Class B & class F on selected models
UPPER BEARING:	<ul style="list-style-type: none"> • Design: Single row, ball • Lubrication: Oil • Load: Radial
LOWER BEARING:	<ul style="list-style-type: none"> • Design: Single row, ball • Lubrication: Oil • Load: Radial & thrust
VOLUTE:	Cast iron ASTM A-48, class 30
SHAFT:	416 Stainless steel
SQUARE RINGS:	Buna-N
HARDWARE:	300 Series stainless steel
PAINT:	Air dry enamel
SEAL PLATE	Cast iron ASTM A-48, class 30
SEAL KIT P/N:	130176
SERVICE KIT P/N:	130172

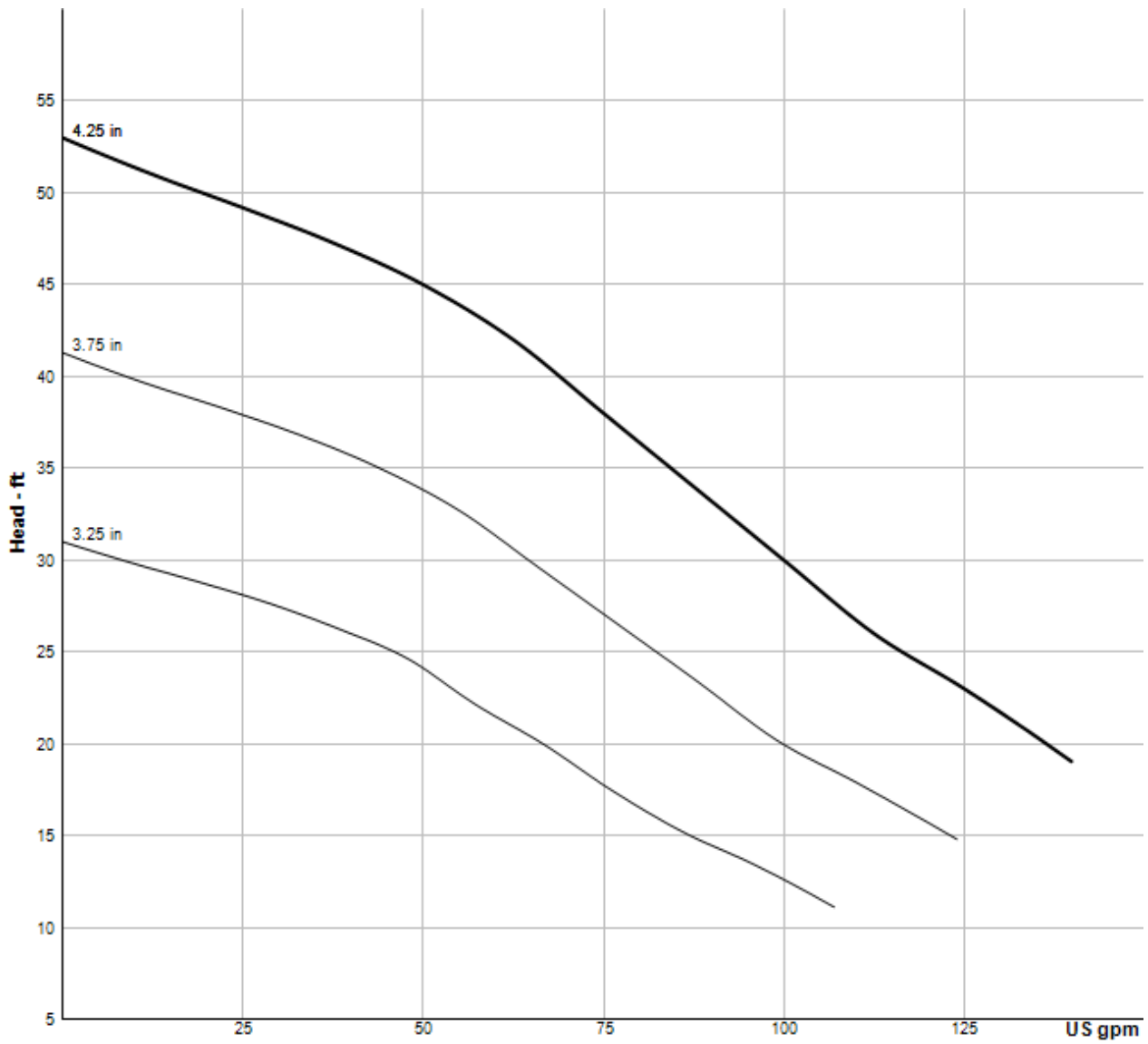
Curves

1750 RPM



Pump HP	Impeller Dia mm (in.)
1	172 (6.75)
0.75	152 (6.00)

3450 RPM 3 Phase



Pump HP	Impeller Dia mm (in.)
1	108 (4.25)

Model Information

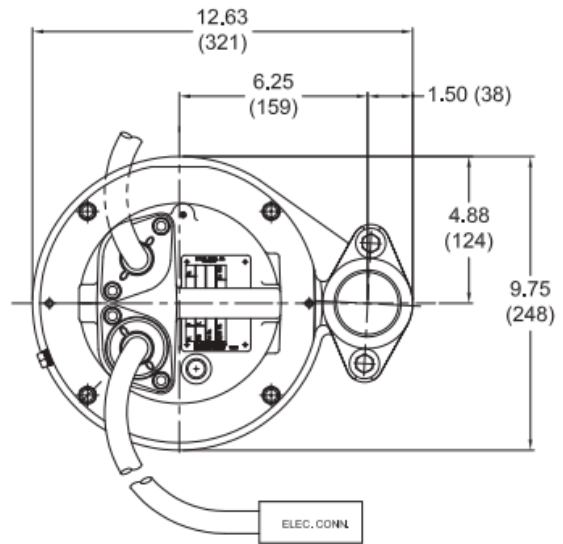
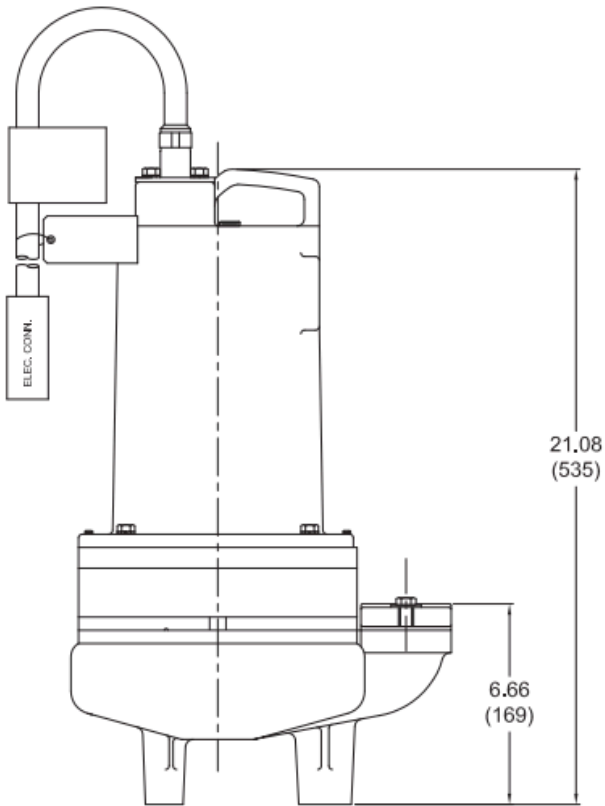
PUMP MODEL NUMBER	2SEV1024DS	2SEV1094DS	2SEV1044DS	2SEV1054DS	2SEV1022DS	2SEV1092DS	2SEV1042DS	2SEV1052DS
PART NUMBER	104940	104941	104942	104943	104987	104988	104990	104991
HP	1	1	1	1	1	1	1	1
VOLTAGE/PHASE	240/1	200-240/3	480/3	600/3	240/1	200-240/3	480/3	600/3
HZ	60	60	60	60	60	60	60	60
RPM (NOMINAL)	1750	1750	1750	1750	3450	3450	3450	3450
NEMA START CODE	G	E/H	H	J	F	H/J	J	L
INSULATION CLASS	F	F	F	F	B	B	B	B
FULL LOAD AMPS	8.5	5.3/5.1	2.5	2.2	10.7	7.9/7.5	3.7	2.9
LOCKED ROTOR AMPS	25.8	13.7/15.4	7.7	7.2	21.8	19.9/18.4	9.1	8.7
CORD SIZE	14/3	14/3	14/4	14/4	14/3	14/4	14/4	14/4
CORD TYPE	SOW	SOW	SOW	SOW	SOW	SOW	SOW	SOW
CORD O.D INCH (MM)	0.530 (13.5)	0.570 (14.5)	0.570 (14.5)	0.570 (14.5)	0.530 (13.5)	0.570 (14.5)	0.570 (14.5)	0.570 (14.5)
WEIGHT (LBS)	105	105	105	105	90	90	90	90



IMPORTANT

- 1.) PUMP MAY BE OPERATED "DRY" FOR EXTENDED PERIODS WITHOUT DAMAGE TO MOTOR AND/OR SEALS.
- 2.) INSTALLATIONS SUCH AS DECORATIVE FOUNTAINS OR WATER FEATURES PROVIDED FOR VISUAL ENJOYMENT MUST BE INSTALLED IN ACCORDANCE WITH THE NATIONAL ELECTRIC CODE ANSI/NFPA 70 AND/OR THE AUTHORITY HAVING JURISDICTION. THIS PUMP IS NOT INTENDED FOR USE IN SWIMMING POOLS, RECREATIONAL WATER PARKS, OR INSTALLATIONS IN WHICH HUMAN CONTACT WITH PUMPED MEDIA IS A COMMON OCCURRENCE.

Drawings



All dimensions are in inches (mm)