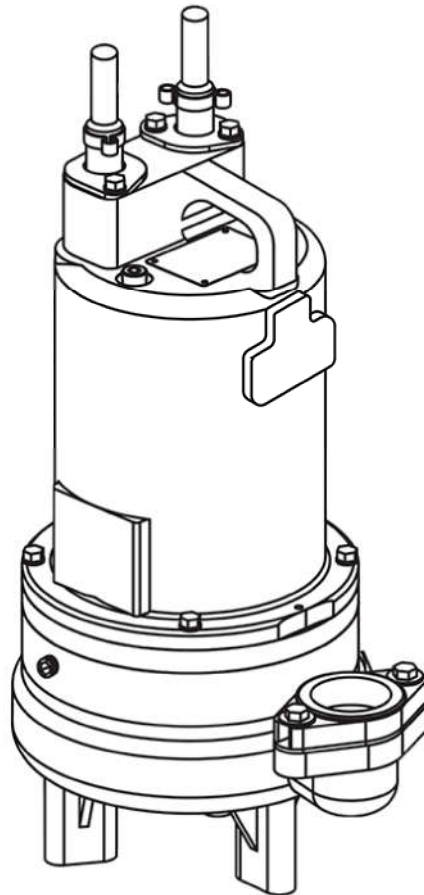


2SEV-DS – .75 HP

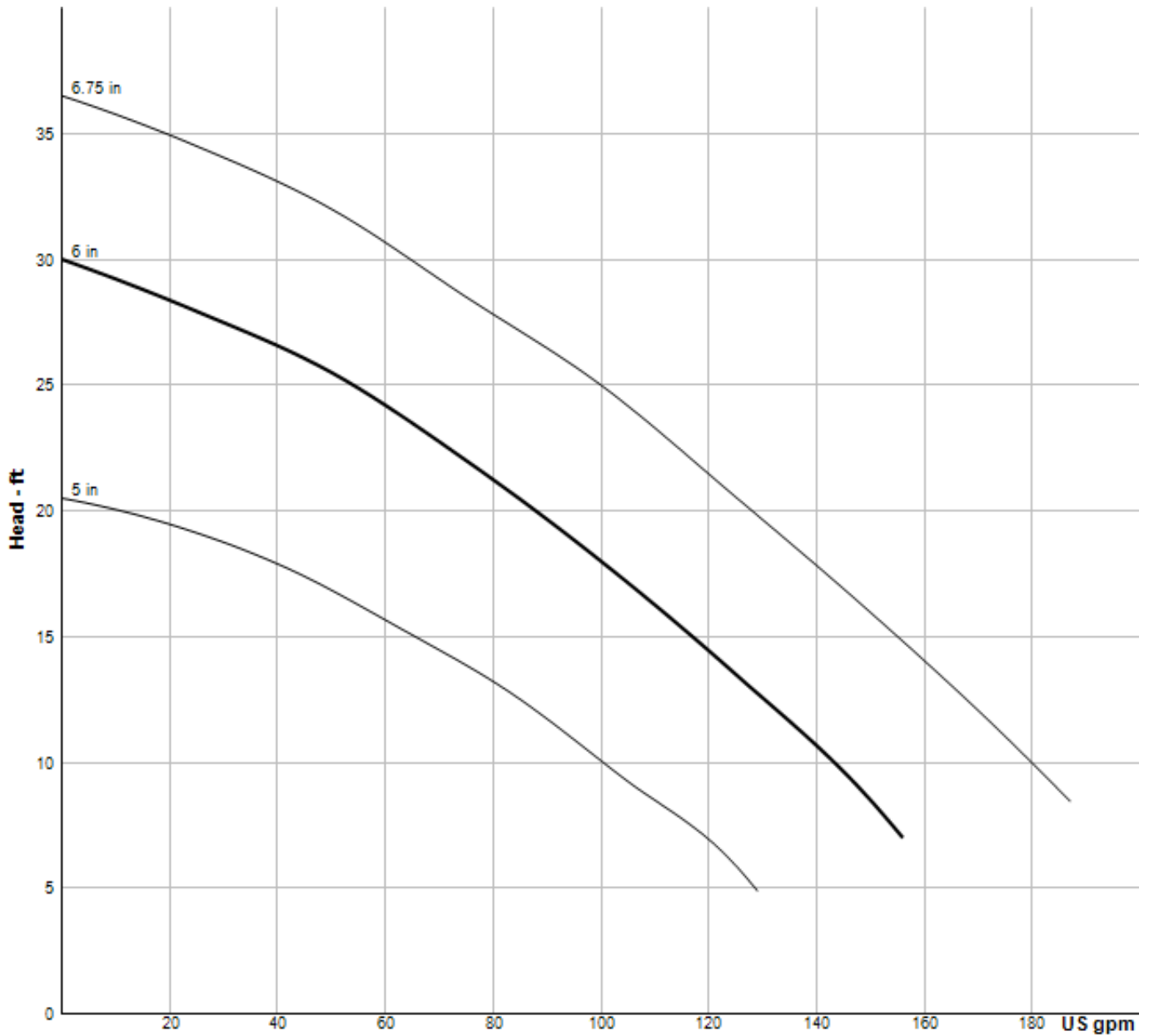
2" Spherical Solids Handling - Vortex, Double Seal



Specifications

| | |
|----------------------------|---|
| DISCHARGE: | 2" NPT, Female, vertical, bolt-on-flange |
| SPEED: | 1750 RPM (Nominal) |
| LIQUID TEMPERATURE: | 104°F (40°C) Continuous |
| MOTOR HOUSING: | Cast iron ASTM A-48, class 30 |
| PUMP BODY: | Cast iron ASTM A-48, class 30 |
| IMPELLER: | <ul style="list-style-type: none"> • Design: Vortex, open, with pump out vanes on back side. Dynamically balanced, ISO G6.3 • Material: Cast iron ASTM A-48, class 30 |
| Material: | Cast iron ASTM A-48, class 30 |
| SINGLE PHASE: | Permanent split capacitor (PSC) includes overload protection in motor |
| THREE PHASE: | 200-240/480 is Tri-Voltage. 600V. Requires Overload Protection to be included in control panel |
| MOTOR: | <ul style="list-style-type: none"> • Design: NEMA L -single phase, NEMA B -three phase torque curve, oil filled, squirrel cage induction • Insulation: Class B & class F on selected models |
| UPPER BEARING: | <ul style="list-style-type: none"> • Design: Single row, ball • Lubrication: Oil • Load: Radial |
| LOWER BEARING: | <ul style="list-style-type: none"> • Design: Single row, ball • Lubrication: Oil • Load: Radial & thrust |
| VOLUTE: | Cast iron ASTM A-48, class 30 |
| SHAFT: | 416 Stainless steel |
| SQUARE RINGS: | Buna-N |
| HARDWARE: | 300 Series stainless steel |
| PAINT: | Air dry enamel |
| SEAL PLATE | Cast iron ASTM A-48, class 30 |
| SEAL KIT P/N: | 130176 |
| SERVICE KIT P/N: | 130172 |

Curves



| Pump HP | Impeller Dia mm (in.) |
|---------|-----------------------|
| 1 | 172 (6.75) |
| 0.75 | 152 (6.00) |

Model Information

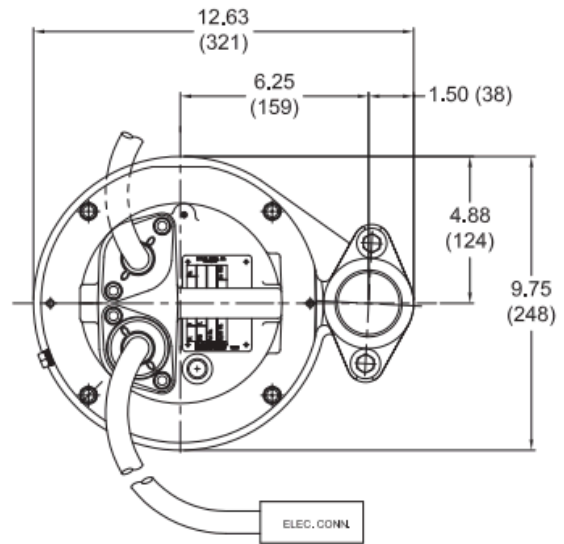
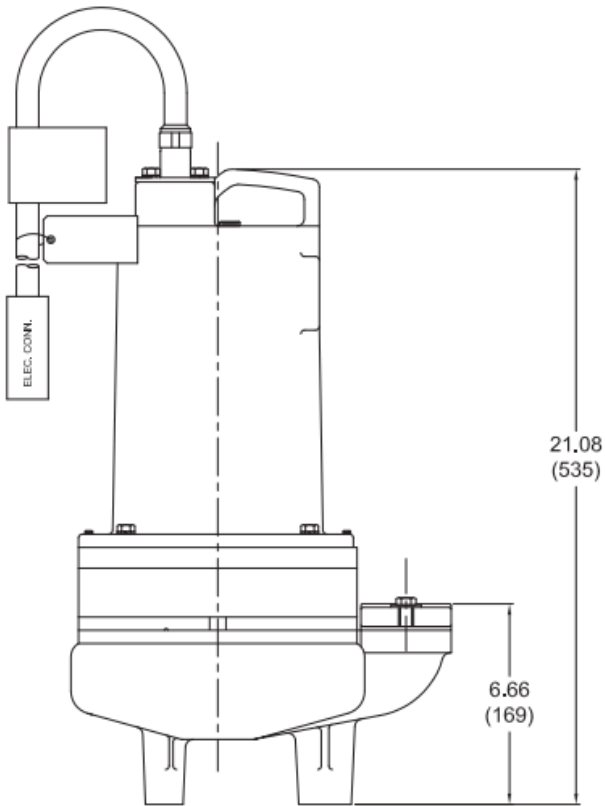
| PUMP MODEL NUMBER | 2SEV724DS | 2SEV794DS | 2SEV744DS | 2SEV754DS |
|--------------------|--------------|--------------|--------------|--------------|
| PART NUMBER | 104932 | 104933 | 104934 | 104935 |
| HP | 0.75 | 0.75 | 0.75 | 0.75 |
| VOLTAGE/PHASE | 240/1 | 200-240/3 | 480/3 | 600/3 |
| HZ | 60 | 60 | 60 | 60 |
| RPM (NOMINAL) | 1750 | 1750 | 1750 | 1750 |
| NEMA START CODE | K | H/K | K | L |
| INSULATION CLASS | F | F | F | F |
| FULL LOAD AMPS | 7.1 | 4.8/4.6 | 2.3 | 1.6 |
| LOCKED ROTOR AMPS | 25.8 | 13.7/15.4 | 7.7 | 7.2 |
| CORD SIZE | 14/3 | 14/4 | 14/4 | 14/4 |
| CORD TYPE | SOW | SOW | SOW | SOW |
| CORD O.D INCH (MM) | 0.530 (13.5) | 0.570 (14.5) | 0.570 (14.5) | 0.570 (14.5) |
| WEIGHT (LBS) | 95 | 95 | 95 | 95 |



IMPORTANT

- 1.) PUMP MAY BE OPERATED "DRY" FOR EXTENDED PERIODS WITHOUT DAMAGE TO MOTOR AND/OR SEALS.
- 2.) INSTALLATIONS SUCH AS DECORATIVE FOUNTAINS OR WATER FEATURES PROVIDED FOR VISUAL ENJOYMENT MUST BE INSTALLED IN ACCORDANCE WITH THE NATIONAL ELECTRIC CODE ANSI/NFPA 70 AND/OR THE AUTHORITY HAVING JURISDICTION. THIS PUMP IS NOT INTENDED FOR USE IN SWIMMING POOLS, RECREATIONAL WATER PARKS, OR INSTALLATIONS IN WHICH HUMAN CONTACT WITH PUMPED MEDIA IS A COMMON OCCURRENCE.

Drawings



All dimensions are in inches (mm)