

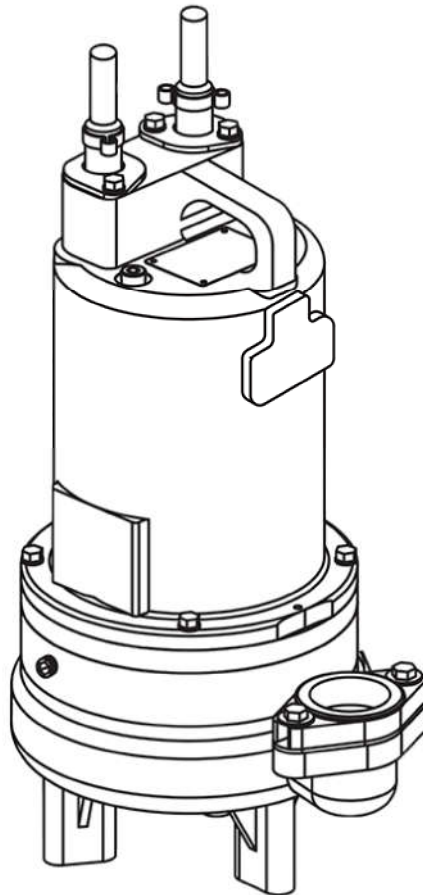
CRANE

PUMPS & SYSTEMS

BARNES

2SEV-DS – .5HP

2" Spherical Solids Handling - Vortex, Double Seal

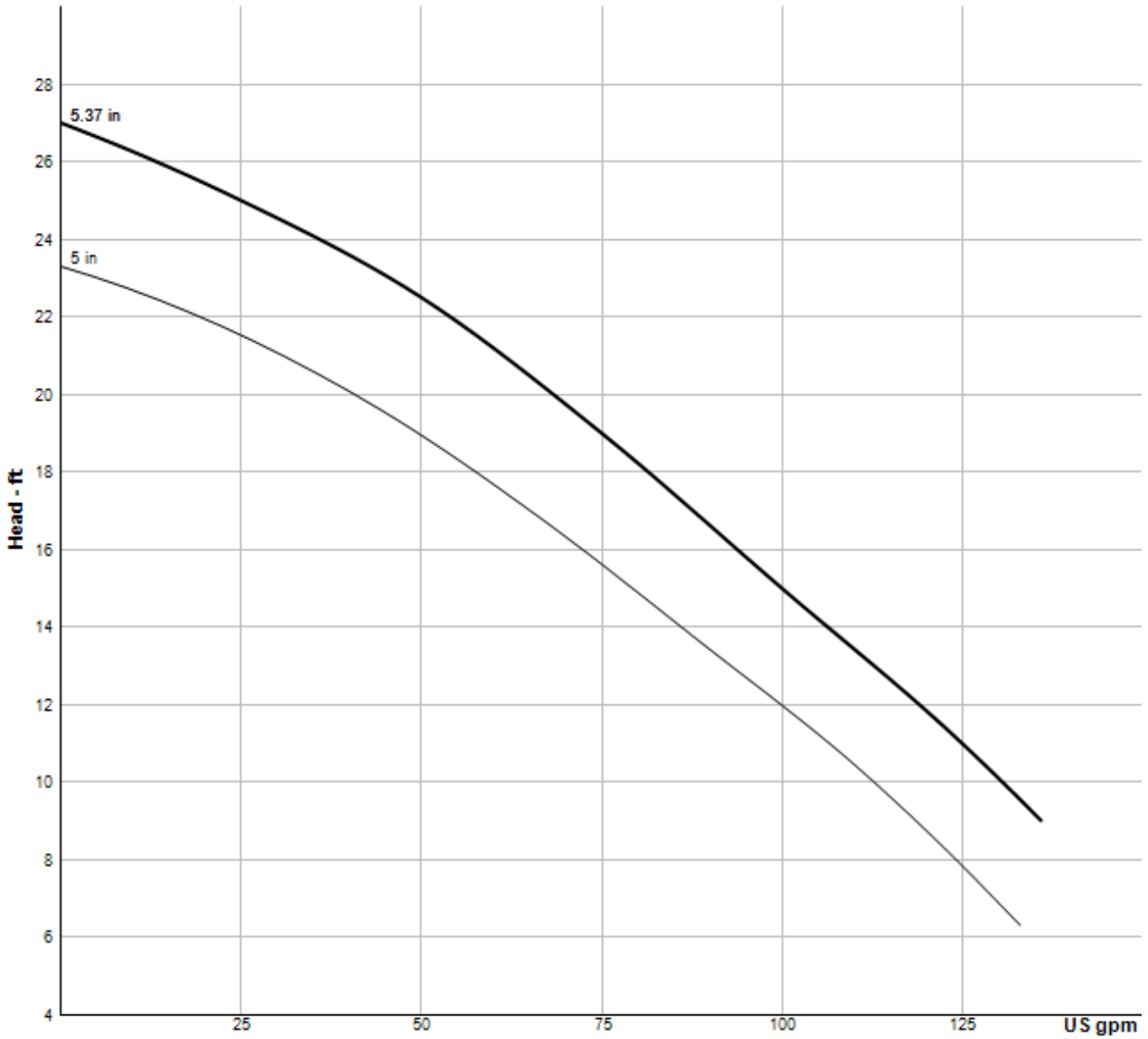


Specifications

DISCHARGE:	2" NPT, Female, vertical, bolt-on-flange
SPEED:	1750 & 3450 RPM (Nominal)
LIQUID TEMPERATURE:	104°F (40°C) Continuous
MOTOR HOUSING:	Cast iron ASTM A-48, class 30
PUMP BODY:	Cast iron ASTM A-48, class 30
IMPELLER:	<ul style="list-style-type: none"> • Design: Vortex, open, with pump out vanes on back side. Dynamically balanced, ISO G6.3 • Material: Cast iron ASTM A-48, class 30
CORD ENTRY:	20 ft. (6.1m) Cord with plug on 120 volt & .5HP, 240 volt, 1 phase. Quick connect custom molded for sealing and strain relief
SINGLE PHASE:	Permanent split capacitor (PSC) includes overload protection in motor
THREE PHASE:	200-240/480 is tri-voltage. 600V. Requires overload protection to be included in control panel
MOTOR:	<ul style="list-style-type: none"> • Design: NEMA L -single phase, NEMA B -three phase torque curve, oil filled, squirrel cage induction • Insulation: Class B & class F on selected models
UPPER BEARING:	<ul style="list-style-type: none"> • Design: Single row, ball • Lubrication: Oil • Load: Radial
LOWER BEARING:	<ul style="list-style-type: none"> • Design: Single row, ball • Lubrication: Oil • Load: Radial & thrust
VOLUTE:	Cast iron ASTM A-48, class 30
SHAFT:	416 Stainless steel
SQUARE RINGS:	Buna-N
HARDWARE:	300 Series stainless steel
PAINT:	Air dry enamel
SEAL PLATE	Cast iron ASTM A-48, class 30
SEAL KIT P/N:	130176
SERVICE KIT P/N:	130172

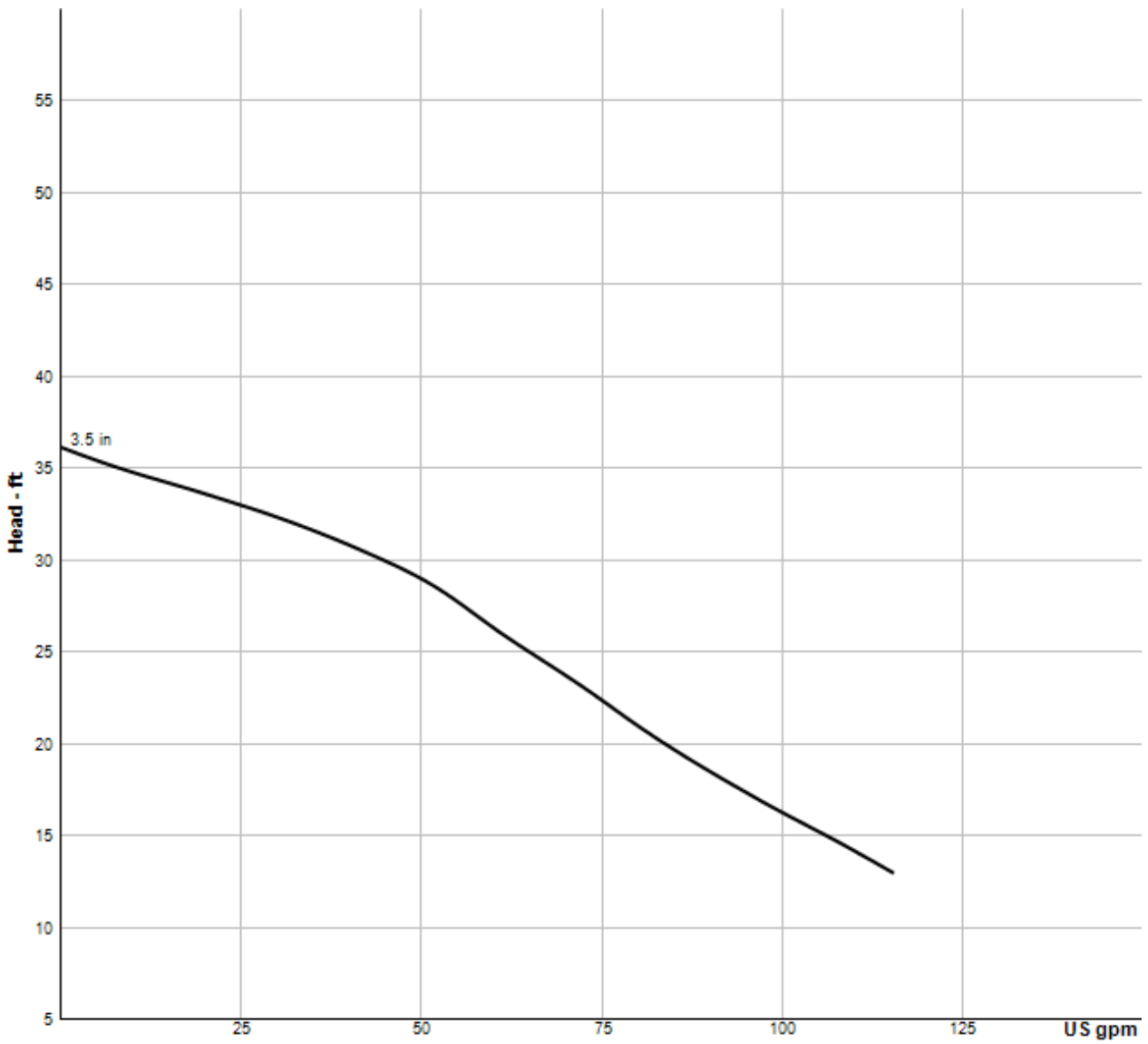
Curves

1750 RPM



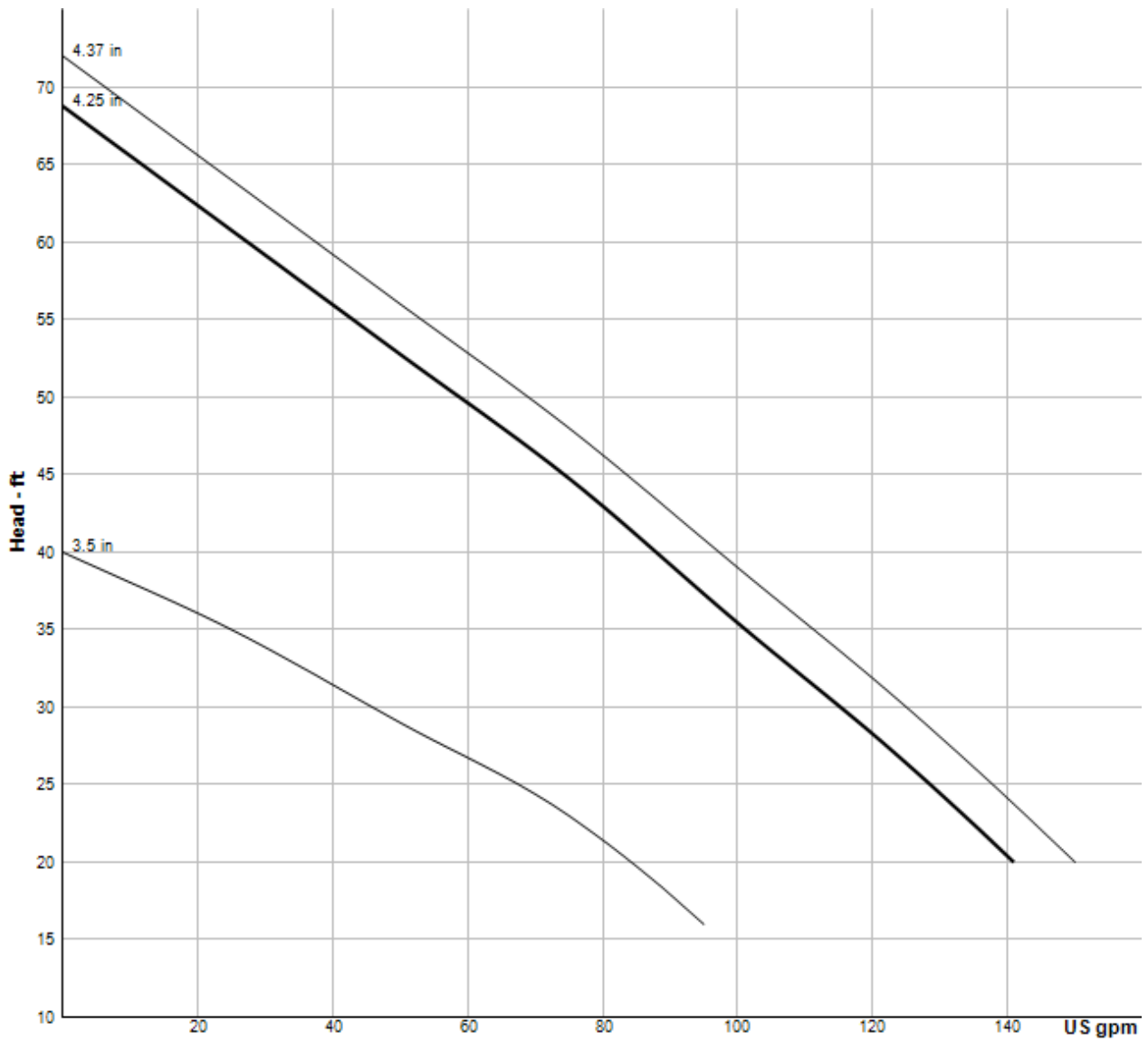
Pump HP	Impeller Dia mm (in.)
0.50	137 (5.37)

3450 RPM 1 Phase



Pump HP	Impeller Dia mm (in.)
0.50	89 (3.50)

3450 RPM 3 Phase



Pump HP	Impeller Dia mm (in.)
0.50	89 (3.50)

Model Information

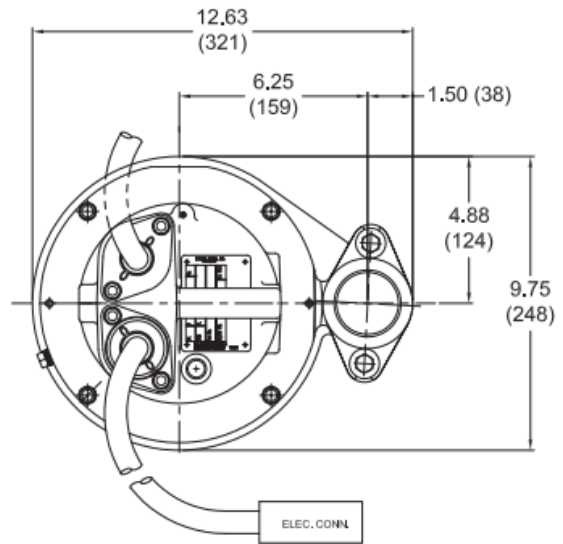
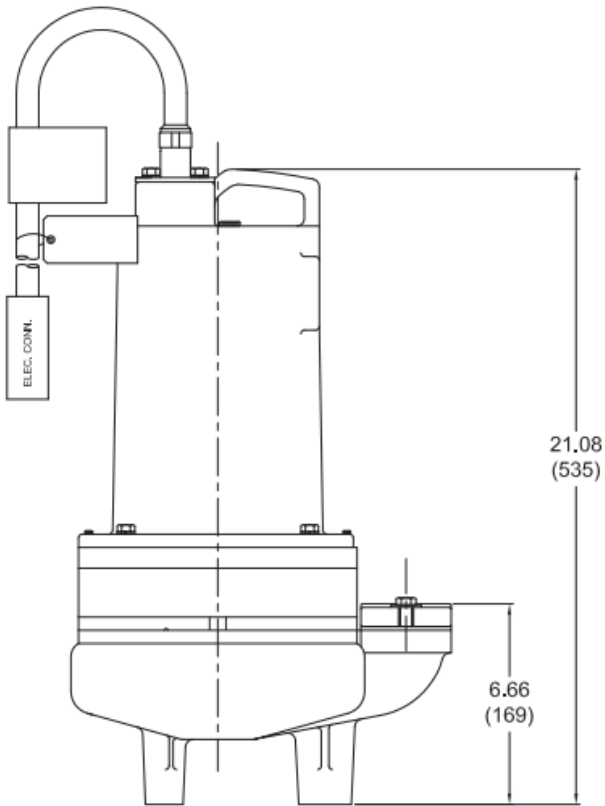
PUMP MODEL NUMBER	2SEV514DS	2SEV524DS	2SEV594DS	2SEV544DS	2SEV554DS	2SEV512DS*	2SEV522DS	2SEV592DS	2SEV542DS	2SEV552DS
PART NUMBER	104923	104924	104925	104926	104927	104976	104977	104978	104980	104981
HP	0.5	0.5	0.5	0.5	0.5	0.5	0.5	0.5	0.5	0.5
VOLTAGE/PHASE	120/1	240/1	200-240/3	480/3	600/3	120/1	240/1	200/240/3	480/3	600/3
HZ	60	60	60	60	60	60	60	60	60	60
RPM (NOMINAL)	1750	1750	1750	1750	1750	3450	3450	3450	3450	3450
NEMA START CODE	F	J	H/L	K	H	G	E	P/R	R	T
INSULATION CLASS	B	B	B	B	B	B	B	B	B	B
FULL LOAD AMPS	12.0	6.3	3.7/3.8	1.9	1.4	12.6	6.0	5.8/5.3	2.6	2.1
LOCKED ROTOR AMPS	21.3	14.9	9.8/11.0	5.3	3.4	24.6	10.2	19.9/18.4	9.1	8.7
CORD SIZE	14/3	14/3	14/4	14/4	14/4	14/3	14/3	14/3	14/3	14/3
CORD TYPE	SJTOW	SOW	SOW	SOW	SOW	SJTOW	SOW	SOW	SOW	SOW
CORD O.D INCH (MM)	0.375 (9.5)	0.530 (13.5)	0.570 (14.5)	0.570 (14.5)	0.570 (14.5)	0.375 (9.5)	0.530 (13.5)	0.570 (14.5)	0.570 (14.5)	0.570 (14.5)
WEIGHT (LBS)	95	95	95	95	95	80	80	80	80	80



IMPORTANT

- 1.) PUMP MAY BE OPERATED "DRY" FOR EXTENDED PERIODS WITHOUT DAMAGE TO MOTOR AND/OR SEALS.
- 2.) INSTALLATIONS SUCH AS DECORATIVE FOUNTAINS OR WATER FEATURES PROVIDED FOR VISUAL ENJOYMENT MUST BE INSTALLED IN ACCORDANCE WITH THE NATIONAL ELECTRIC CODE ANSI/NFPA 70 AND/OR THE AUTHORITY HAVING JURISDICTION. THIS PUMP IS NOT INTENDED FOR USE IN SWIMMING POOLS, RECREATIONAL WATER PARKS, OR INSTALLATIONS IN WHICH HUMAN CONTACT WITH PUMPED MEDIA IS A COMMON OCCURRENCE.

Drawings



All dimensions are in inches (mm)