

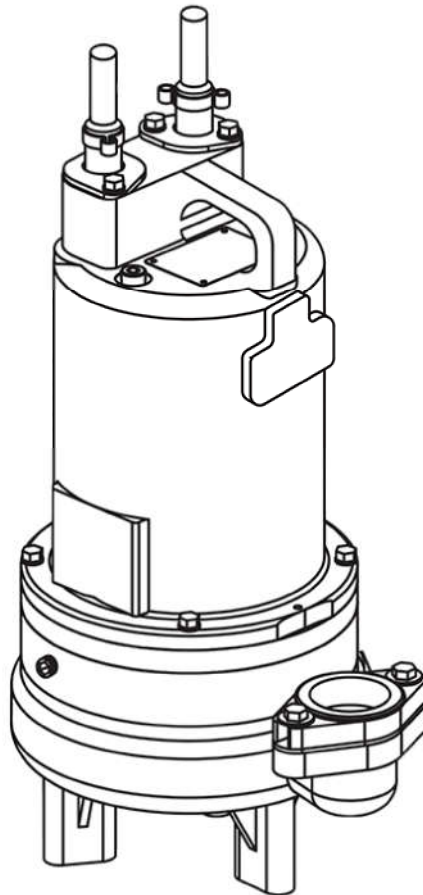
CRANE

PUMPS & SYSTEMS

BARNES

2SEV-DS – 1.5 HP

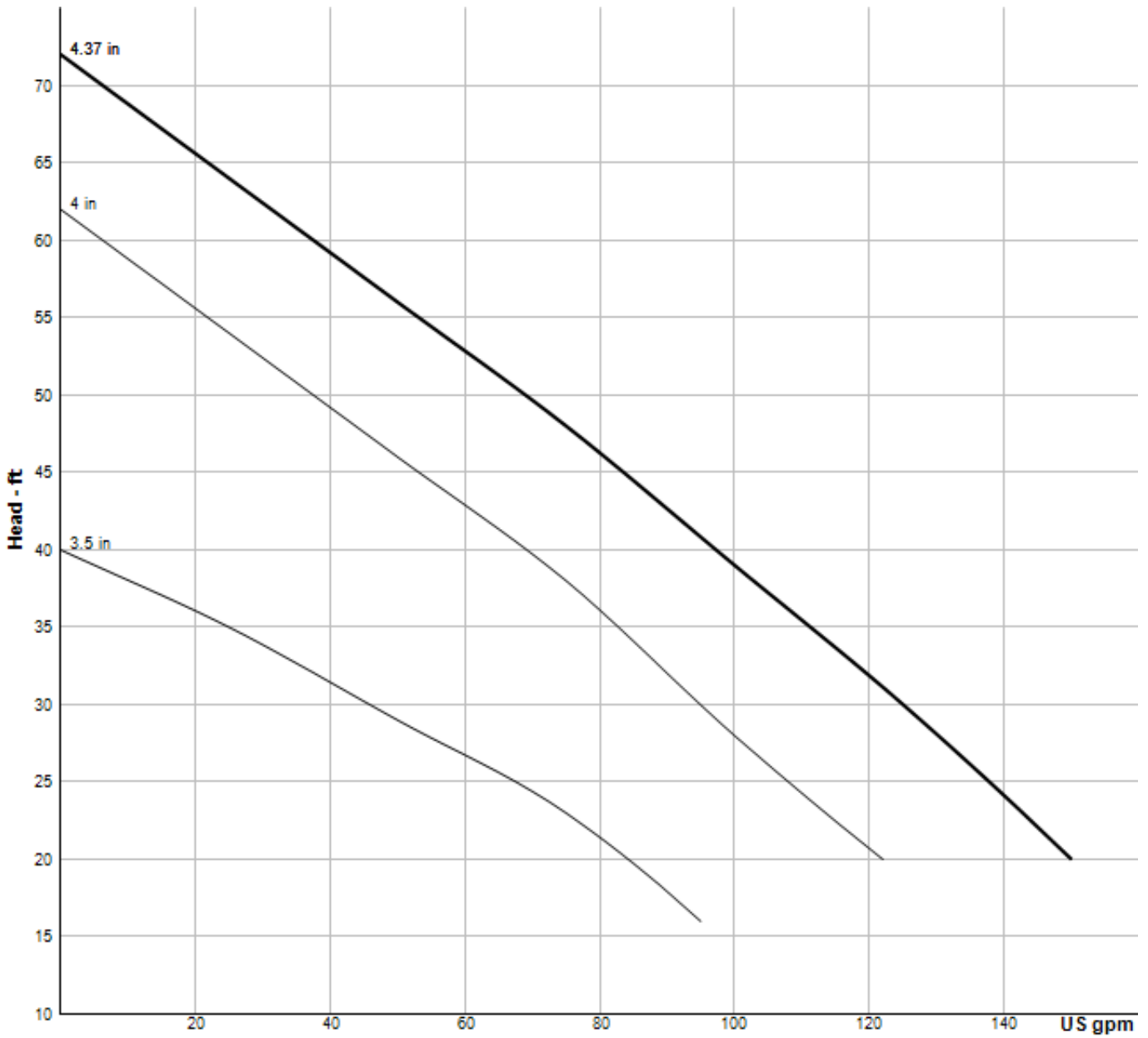
2" Spherical Solids Handling - Vortex, Double Seal



Specifications

DISCHARGE:	2" NPT, Female, vertical, bolt-on-flange
SPEED:	3450 RPM (Nominal)
LIQUID TEMPERATURE:	104°F (40°C) Continuous
MOTOR HOUSING:	Cast iron ASTM A-48, class 30
PUMP BODY:	Cast iron ASTM A-48, class 30
IMPELLER:	<ul style="list-style-type: none"> • Design: Vortex, open, with pump out vanes on back side. Dynamically balanced, ISO G6.3 • Material: Cast iron ASTM A-48, class 30
CORD ENTRY:	20 ft. (6m) Cord. Quick connect custom molded for sealing and strain relief. Plug supplied on 120V, 0.50HP, units.
SINGLE PHASE:	Permanent split capacitor (PSC) includes overload protection in motor
THREE PHASE:	200-240/480 is Tri-Voltage. 600V. Requires Overload Protection to be included in control panel
MOTOR:	<ul style="list-style-type: none"> • Design: NEMA L -single phase, NEMA B -three phase torque curve, oil filled, squirrel cage induction • Insulation: Class B & class F on selected models
UPPER BEARING:	<ul style="list-style-type: none"> • Design: Single row, ball • Lubrication: Oil • Load: Radial
LOWER BEARING:	<ul style="list-style-type: none"> • Design: Single row, ball • Lubrication: Oil • Load: Radial & thrust
VOLUTE:	Cast iron ASTM A-48, class 30
SHAFT:	416 Stainless steel
SQUARE RINGS:	Buna-N
HARDWARE:	300 Series stainless steel
PAINT:	Air dry enamel
SEAL PLATE	Cast iron ASTM A-48, class 30
SEAL KIT P/N:	130177
SERVICE KIT P/N:	130173

Curves



Pump HP	Impeller Dia mm (in.)
2	117 (4.62)
1.5	111 (4.37)

Model Information

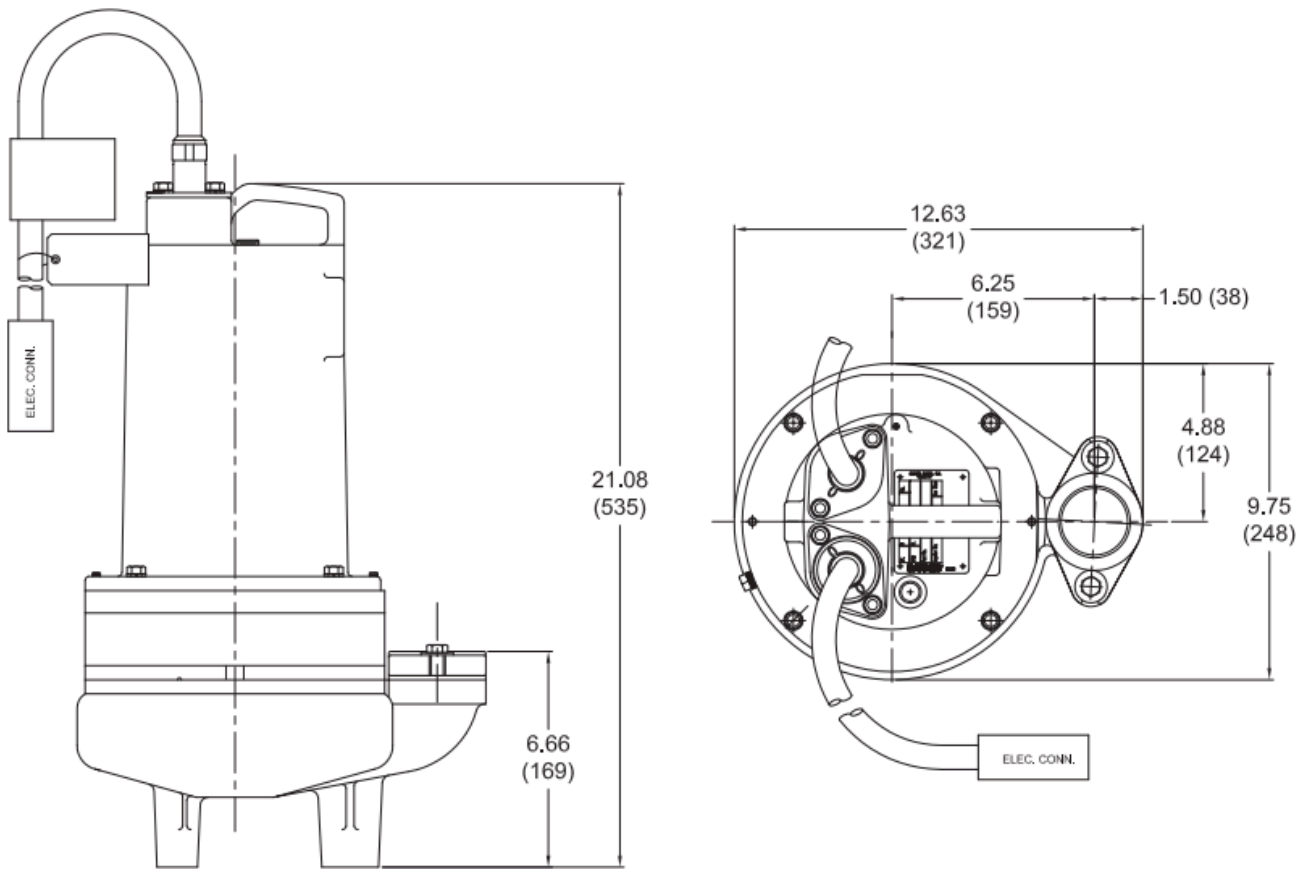
PUMP PART NUMBER	2SEV1522DS	2SEV1592DS	2SEV1542DS	2SEV1552DS
PART NUMBER	107914	107915	107916	107917
HP	1.5	1.5	1.5	1.5
VOLTAGE/PHASE	240/1	200/240/3	480/3	600/3
HZ	60	60	60	60
RPM (NOMINAL)	3450	3450	3450	3450
NEMA START CODE	A	C	F	F
INSULATION CLASS	F	F	F	B
FULL LOAD AMPS	13.5	10.8/9.8	4.9	3.9
LOCKED ROTOR AMPS	31.5	27.0	13.5	11.0
CORD SIZE	12/3	14/4	14/4	14/4
CORD TYPE	SOW	SOW	SOW	SOW
CORD O.D INCH (MM)	0.610 (15.5)	0.600 (15.2)	0.600 (15.2)	0.600 (15.2)
WEIGHT (LBS)	95	95	95	95



IMPORTANT

- 1.) PUMP MAY BE OPERATED "DRY" FOR EXTENDED PERIODS WITHOUT DAMAGE TO MOTOR AND/OR SEALS.
- 2.) INSTALLATIONS SUCH AS DECORATIVE FOUNTAINS OR WATER FEATURES PROVIDED FOR VISUAL ENJOYMENT MUST BE INSTALLED IN ACCORDANCE WITH THE NATIONAL ELECTRIC CODE ANSI/NFPA 70 AND/OR THE AUTHORITY HAVING JURISDICTION. THIS PUMP IS NOT INTENDED FOR USE IN SWIMMING POOLS, RECREATIONAL WATER PARKS, OR INSTALLATIONS IN WHICH HUMAN CONTACT WITH PUMPED MEDIA IS A COMMON OCCURRENCE.

Drawings



All dimensions are in inches (mm)