

Self-Priming Universal/Electric Driven

Specifications:

SUCTION/DISCHARGE3" x 3" NPT, Female
LIQUID TEMPERATURE160°F (71°C) Continuous
INTERMEDIATECast Iron ASTM A-48, Class 30
VOLUTECast Iron ASTM A-48, Class 30,
Removable
BODYCast Iron ASTM A-48, Class 30
PEDESTALCast Iron ASTM A-48, Class 30
IMPELLER: DesignSemi-Open, Dynamically Balanced,
ISO G6.3
MaterialCast Iron ASTM A-48, Class 30
SHAFTStainless Steel
SQUARE RINGSBuna-N
HARDWARESeries Stainless Steel
PAINTAir Dry Enamel.
SEAL: *Design*Mechanical
LubricationSelf-Lubricating
MaterialRotating Faces - Carbon
Stationary Faces - Ceramic
Elastomer - Buna-N
Hardware -300 Series Stainless

BEARING - PUMP END:

Design.....Single Row, Ball
LubricationGrease
Load.....Radial

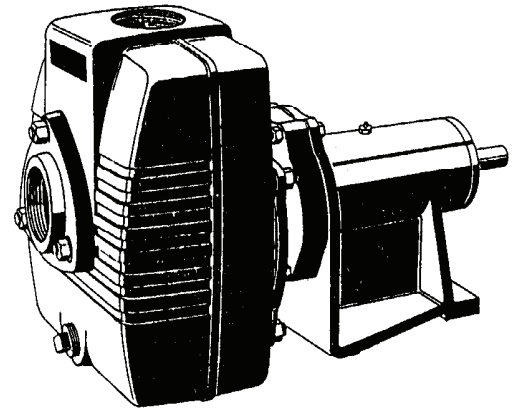
BEARING - DRIVE END:

Design.....Single Row, Ball
LubricationGrease
Load.....Radial

CHECK VALVE:

MaterialValve Flap-Neoprene
Weight-Cast Iron ASTM A-48, Class 30

OPTIONAL EQUIPMENT.....Seal Material, Flex Coupled Assy. with
Base & OSHA Guard; Right Hand V-Belt Drive Assy., Left Hand V-Belt Drive
Assy., and In-Line Vertical V-Belt Drive Assy. with Base, Motor Adjusting
Base and OSHA Guard.



Series: 25ICU-1
MAX SPHERE 3/4"

DESCRIPTION:

SELF-PRIMING CENTRIFUGAL PUMPS
DESIGNED FOR MARINE, MUNICIPAL AND
INDUSTRIAL APPLICATIONS



WARNING:

CANCER AND REPRODUCTIVE HARM -
WWW.P65WARNINGS.CA.GOV

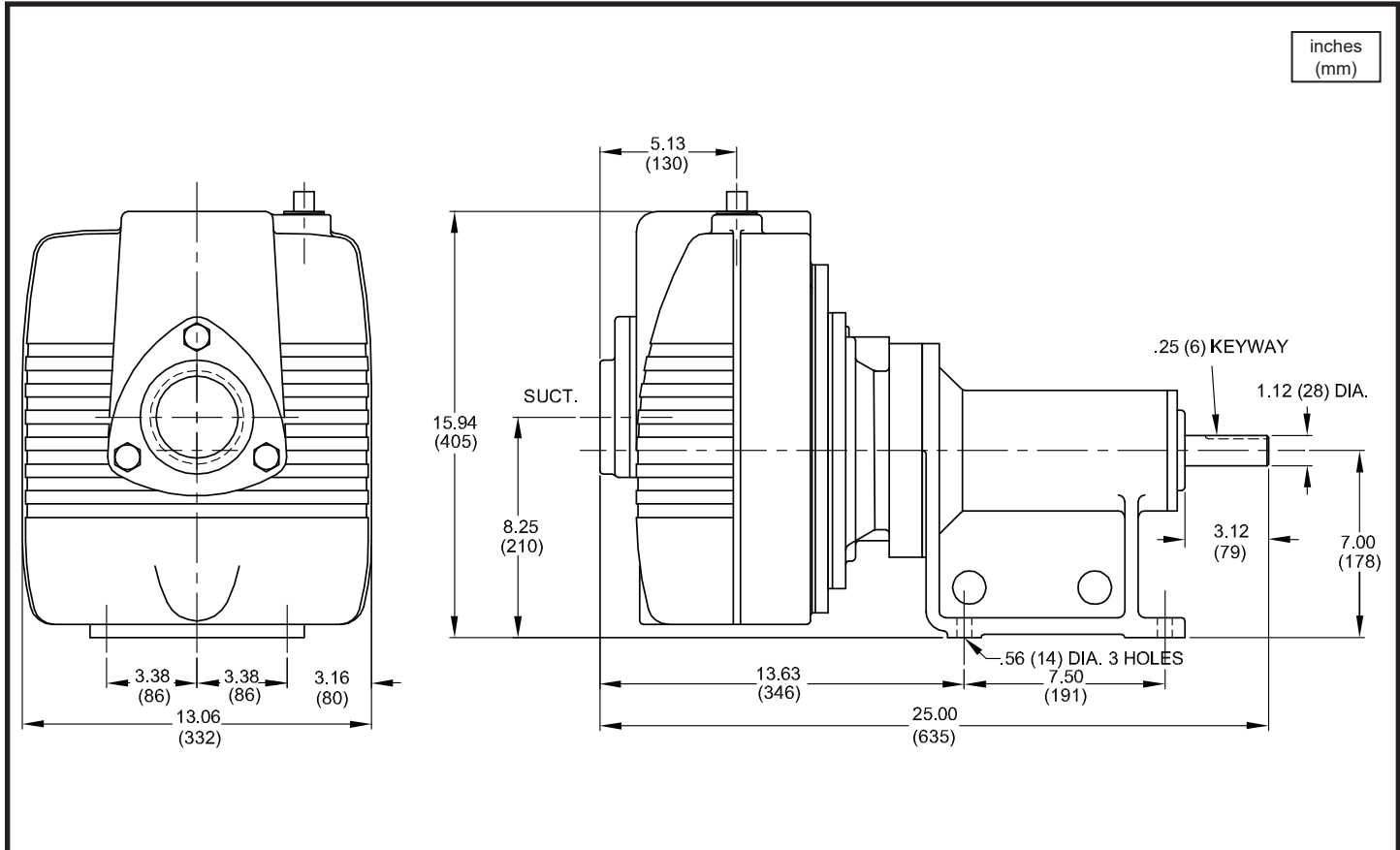
Series 25ICU-1

Pump End
3" NPT

BARNES®

www.cranepumps.com

Self-Priming Universal/Electric Driven



MODEL NO	PART NO	WEIGHT NET LBS (kg)	
25ICU-1	052626	236 (107)	

IMPORTANT !

- DO NOT USE FOR PUMPING FLUIDS WITH A FLASH POINT OF LESS THAN 100°F.
- MAKE CERTAIN THAT PUMP AND/OR MOTOR ASSEMBLY AND CONTROLS HAVE THE APPROPRIATE RATINGS FOR THE GIVEN APPLICATION AREA CLASSIFICATION. (ie DIVISION I, AGENCY LISTING ETC.)

SECTION 4E
PAGE 32
DATE 5/05

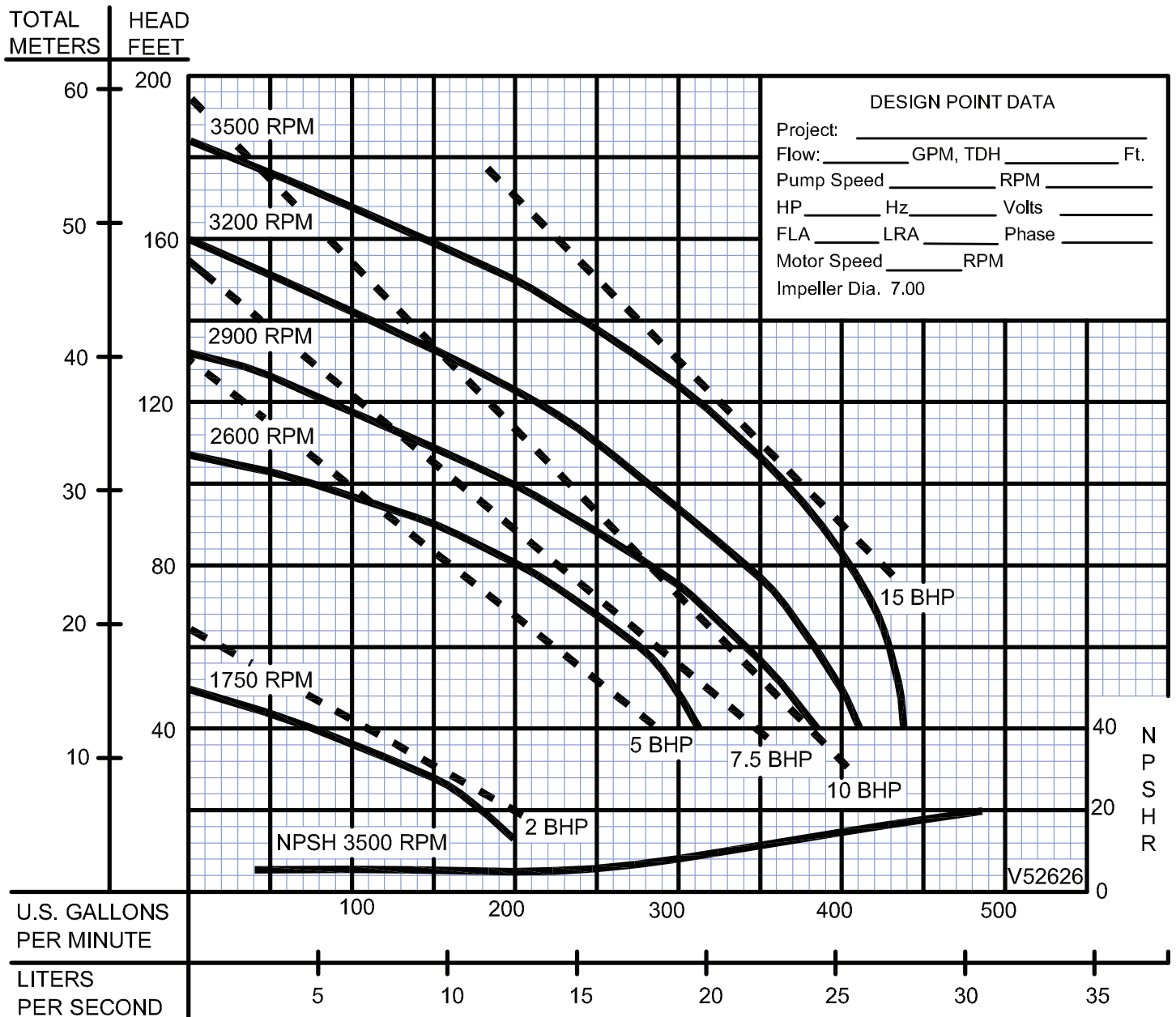
CRANE®

A Crane Co. Company

PUMPS & SYSTEMS

USA: (937) 778-8947 • Canada: (905) 457-6223 • International: (937) 615-3598

Self-Priming Universal/Electric Driven



Testing is performed with water, specific gravity 1.0 @ 68° F @ (20°C), other fluids may vary performance