

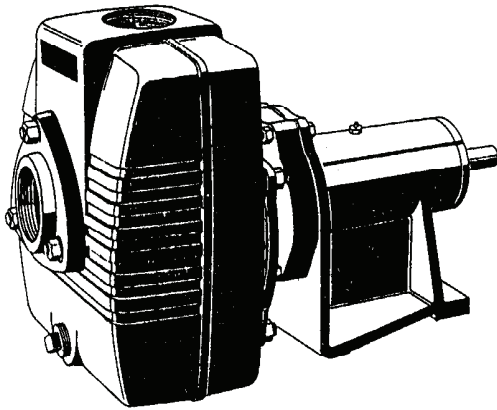
# Series 20ICU-1

Pump End  
3" NPT

# BARNES®

www.cranepumps.com

## Self-Priming Universal/Electric Driven



## Specifications:

**SUCTION/DISCHARGE** .....3" x 3" NPT, Female  
**LIQUID TEMPERATURE** .....160°F (71°C) Continuous  
**INTERMEDIATE** .....Cast Iron ASTM A-48, Class 30  
**VOLUTE** .....Cast Iron ASTM A-48, Class 30, Removable  
**BODY** .....Cast Iron ASTM A-48, Class 30  
**PEDESTAL** .....Cast Iron ASTM A-48, Class 30  
**IMPELLER: Design** .....Semi-Open, Dynamically Balanced, ISO G6.3  
*Material* .....Cast Iron ASTM A-48, Class 30  
**SHAFT** .....Stainless Steel  
**SQUARE RINGS** .....Buna-N  
**HARDWARE** .....Series Stainless Steel  
**PAINT** .....Air Dry Enamel.  
**SEAL:** *Design* .....Mechanical  
*Lubrication* .....Self-Lubricating  
*Material* .....Rotating Faces - Carbon  
Stationary Faces - Ceramic  
Elastomer - Buna-N  
Hardware - 300 Series Stainless

### BEARING - PUMP END:

*Design* .....Single Row, Ball  
*Lubrication* .....Grease  
*Load* .....Radial

### BEARING - DRIVE END:

*Design* .....Single Row, Ball  
*Lubrication* .....Grease  
*Load* .....Radial

### CHECK VALVE:

*Material* .....Valve Flap-Neoprene  
Weight-Cast Iron ASTM A-48, Class 30

**OPTIONAL EQUIPMENT** .....Seal Material, Flex Coupled Assy. with Base & OSHA Guard; Right Hand V-Belt Drive Assy., Left Hand V-Belt Drive Assy., and In-Line Vertical V-Belt Drive Assy. with Base, Motor Adjusting Base and OSHA Guard.

**Series: 20ICU-1**  
MAX SPHERE 3/4"

### DESCRIPTION:

SELF-PRIMING CENTRIFUGAL PUMPS  
DESIGNED FOR MARINE, MUNICIPAL AND  
INDUSTRIAL APPLICATIONS



**WARNING:**  
CANCER AND REPRODUCTIVE HARM -  
WWW.P65WARNINGS.CA.GOV

SECTION 4E  
PAGE 28  
DATE 10/19

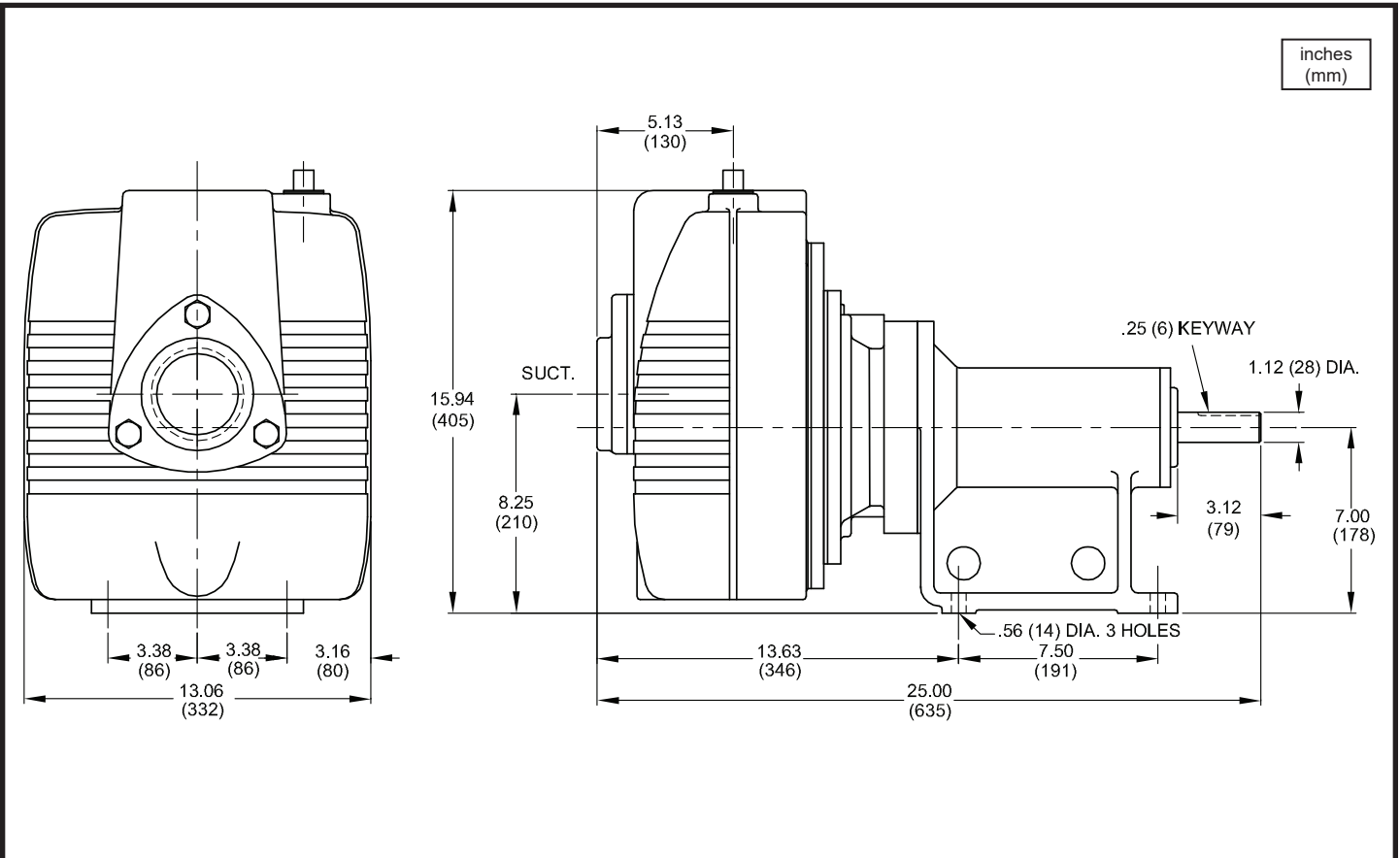
**CRANE**®

A Crane Co. Company

**PUMPS & SYSTEMS**

USA: (937) 778-8947 • Canada: (905) 457-6223 • International: (937) 615-3598

### Self-Priming Universal/Electric Driven



MODEL NO	PART NO	WEIGHT NET LBS (kg)
20ICU-1	052624	223 (101)

**IMPORTANT !**

- DO NOT USE FOR PUMPING FLUIDS WITH A FLASH POINT OF LESS THAN 100°F.
- MAKE CERTAIN THAT PUMP AND/OR MOTOR ASSEMBLY AND CONTROLS HAVE THE APPROPRIATE RATINGS FOR THE GIVEN APPLICATION AREA CLASSIFICATION. (ie DIVISION I, AGENCY LISTING ETC.)

# Series 20ICU-1

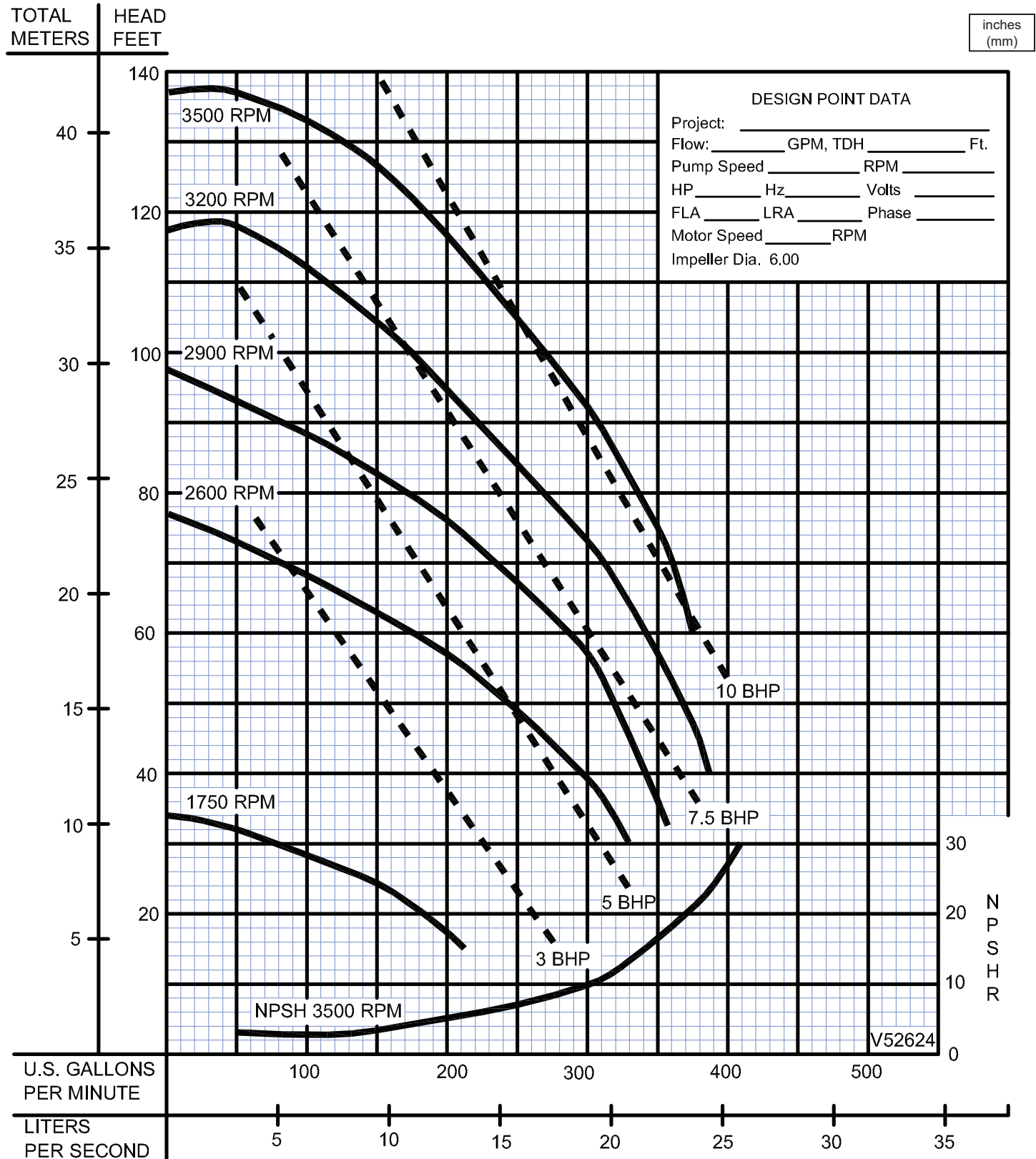
Performance Curve

Pump End

# BARNES®

www.cranepumps.com

## Self-Priming Universal/Electric Driven



Testing is performed with water, specific gravity 1.0 @ 68° F @ (20°C), other fluids may vary performance

SECTION 4E  
PAGE 30  
DATE 5/05



PUMPS & SYSTEMS

A Crane Co. Company

USA: (937) 778-8947 • Canada: (905) 457-6223 • International: (937) 615-3598