

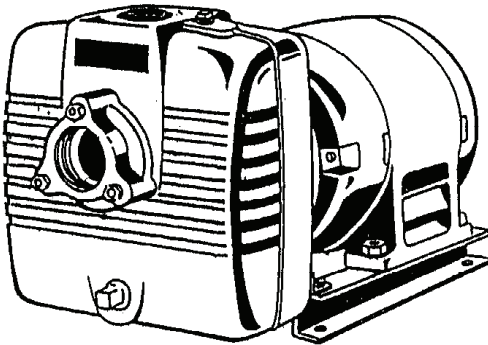
Series 20CCE

Electric Drive
3" NPT

BARNES®

www.cranepumps.com

Self-Priming Universal/Electric Driven



Specifications:

SUCTION/DISCHARGE3" x 3" NPT, Female
LIQUID TEMPERATURE160°F (71°C) Continuous
INTERMEDIATECast Iron ASTM A-48, Class 30
VOLUTECast Iron ASTM A-48, Class 30
BODYCast Iron ASTM A-48, Class 30
PEDESTALCast Iron ASTM A-48, Class 30
IMPELLER: <i>Design</i>Semi-Open, Dynamically Balanced, ISO G6.3
<i>Material</i>Cast Iron ASTM A-48, Class 30
SHAFTStainless Steel
SHAFT SLEEVEBronze
SQUARE RINGSBuna-N
HARDWARESeries Stainless Steel
PAINTAir Dry Enamel.
SEAL: <i>Design</i>Mechanical
<i>Lubrication</i>Self-Lubricating
<i>Material</i>Rotating Faces - Carbon Stationary Faces - Ni-Resist Elastomer - Buna-N Hardware - 300 Series Stainless
CHECK VALVE:	
<i>Material</i>Valve Flap-Neoprene Weight-Cast Iron ASTM A-48, Class 30
MOTOR: <i>Design</i>Open Drip Proof, NEMA B - Three Phase, Torque Curve. C-Face, Footed, Squirrel Cage Induction. Marine Duty Per USCG259 and AIEEE-45, 50°C Ambient
<i>Insulation</i>Class B
THREE PHASEDual Voltage 230/460
OPTIONAL EQUIPMENTSeal Material, TEFC Motors

Series: 20CCE
10HP, 3450RPM
MAX SPHERE 3/4"

DESCRIPTION:

SELF-PRIMING CENTRIFUGAL PUMPS
DESIGNED FOR MARINE, MUNICIPAL AND
INDUSTRIAL APPLICATIONS



WARNING:
CANCER AND REPRODUCTIVE HARM -
WWW.P65WARNINGS.CA.GOV

SECTION 4E
PAGE 10
DATE 12/18

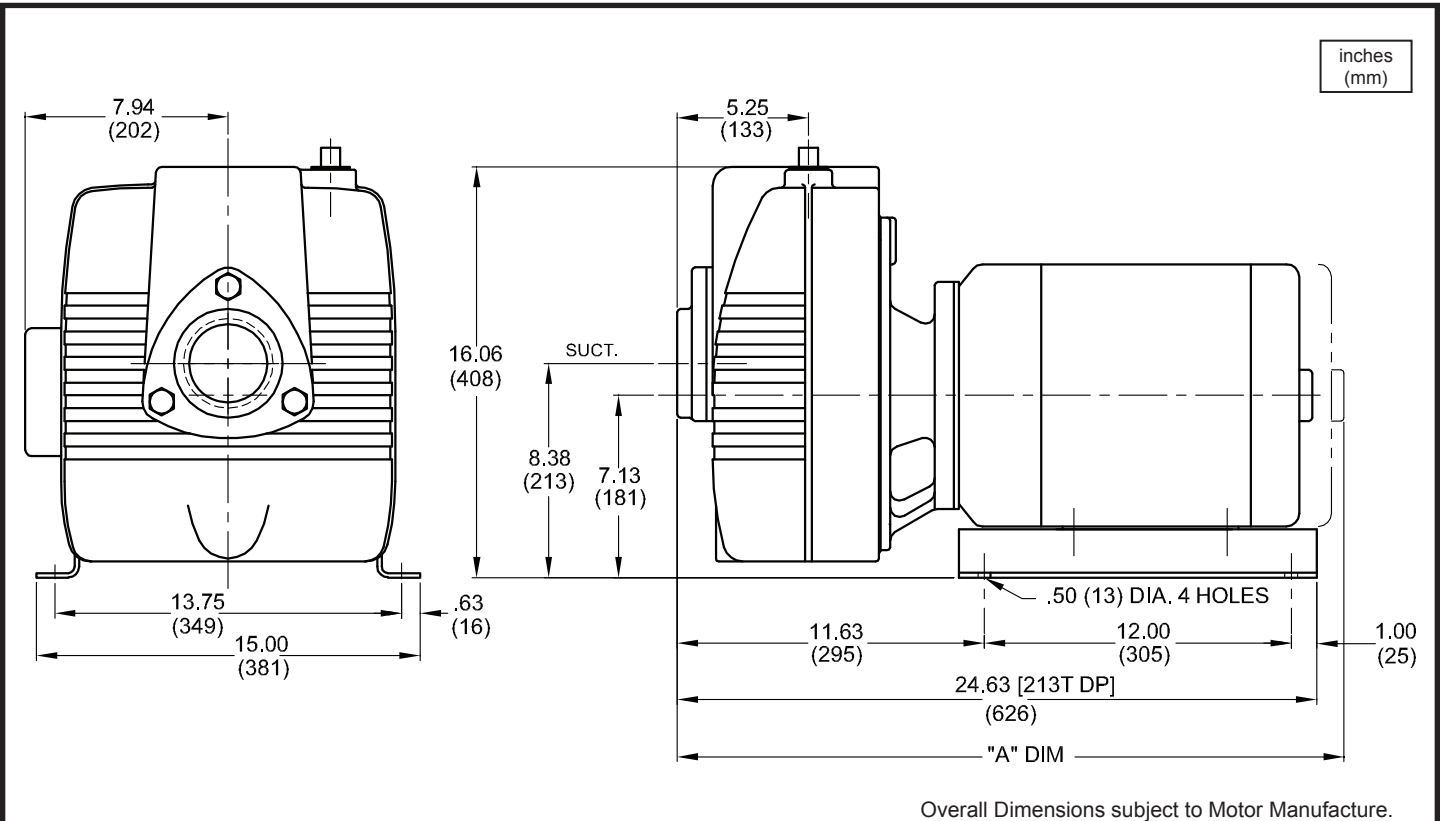
CRANE®

A Crane Co. Company

PUMPS & SYSTEMS

USA: (937) 778-8947 • Canada: (905) 457-6223 • International: (937) 615-3598

Self-Priming Universal/Electric Driven



MODEL NO	PART NO	MOTOR DESIGN	HP	VOLT	PH	Hz	RPM (Nom)	FULL LOAD AMPS	LOCKED ROTOR AMPS	WEIGHT NET LBS (kg)
20CCE	028510	ODP	10	230/460	3	60	3450	28/14	162/81	294 (133)
20CCE	028510H	TEFC	10	230/460	3	60	3450	12 @ 460	115 @ 460	330 (150)

OPTIONAL MOTOR FRAMES	"A" DIM		
	215T - ODP	213T - TEFC	215T - TEFC
	25.69 (653)	26.88 (683)	27.63 (702)

IMPORTANT !

- DO NOT USE FOR PUMPING FLUIDS WITH A FLASH POINT OF LESS THAN 100°F.
- MAKE CERTAIN THAT PUMP AND/OR MOTOR ASSEMBLY AND CONTROLS HAVE THE APPROPRIATE RATINGS FOR THE GIVEN APPLICATION AREA CLASSIFICATION. (ie DIVISION I, AGENCY LISTING ETC.)

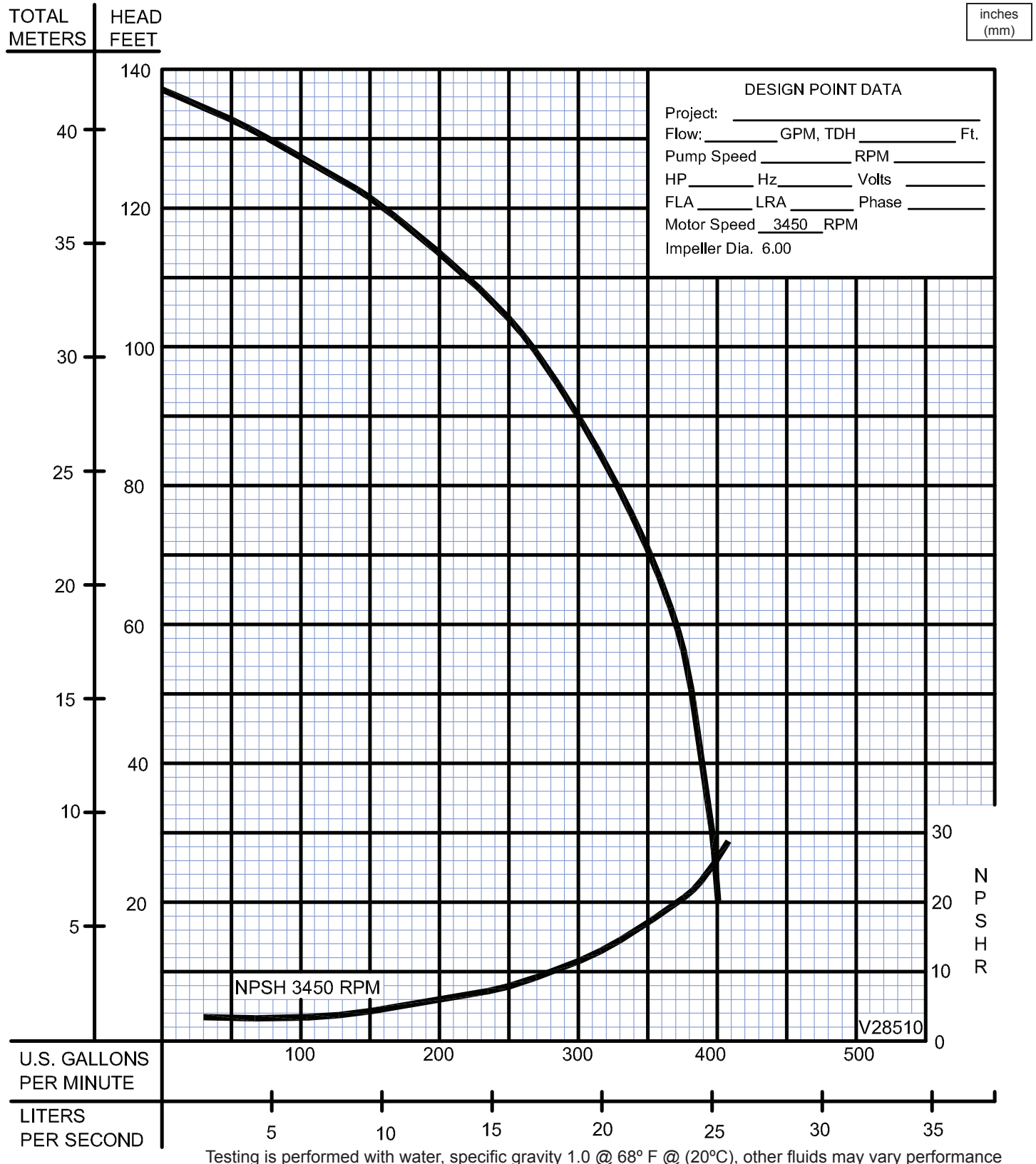
Series 20CCE

Performance Curve
Electric Drive

BARNES®

www.cranepumps.com

Self-Priming Universal/Electric Driven



SECTION 4E
PAGE 12
DATE 5/05

CRANE
A Crane Co. Company

PUMPS & SYSTEMS

USA: (937) 778-8947 • Canada: (905) 457-6223 • International: (937) 615-3598