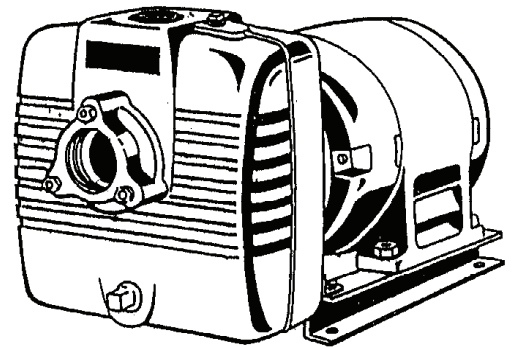


Self-Priming Universal/Electric Driven

Specifications:

SUCTION/DISCHARGE3" x 3" NPT, Female
LIQUID TEMPERATURE160°F (71°C) Continuous
INTERMEDIATECast Iron ASTM A-48, Class 30
VOLUTECast Iron ASTM A-48, Class 30
BODYCast Iron ASTM A-48, Class 30
PEDESTALCast Iron ASTM A-48, Class 30
IMPELLER: *Design*Semi-Open, Dynamically Balanced,
ISO G6.3
MaterialCast Iron ASTM A-48, Class 30
SHAFTStainless Steel
SHAFT SLEEVEBronze
SQUARE RINGSBuna-N
HARDWARESeries Stainless Steel
PAINTAir Dry Enamel.
SEAL: *Design*Mechanical
LubricationSelf-Lubricating
MaterialRotating Faces - Carbon
Stationary Faces - Ni-Resist
Elastomer - Buna-N
Hardware -300 Series Stainless

CHECK VALVE:
MaterialValve Flap-Neoprene
Weight-Cast Iron ASTM A-48, Class 30
MOTOR: *Design*Open Drip Proof, NEMA B - Three Phase,
Torque Curve. C-Face, Footed, Squirrel
Cage Induction. Marine Duty Per
USCG259 and AIEEEE-45, 50°C Ambient
InsulationClass B
THREE PHASEDual Voltage 230/460
OPTIONAL EQUIPMENTSeal Material, TEFC Motors



Series: 15CCE
7.5HP, 3450RPM
MAX SPHERE 5/8"

DESCRIPTION:

SELF-PRIMING CENTRIFUGAL PUMPS
DESIGNED FOR MARINE, MUNICIPAL AND
INDUSTRIAL APPLICATIONS



WARNING:

CANCER AND REPRODUCTIVE HARM -
WWW.P65WARNINGS.CA.GOV

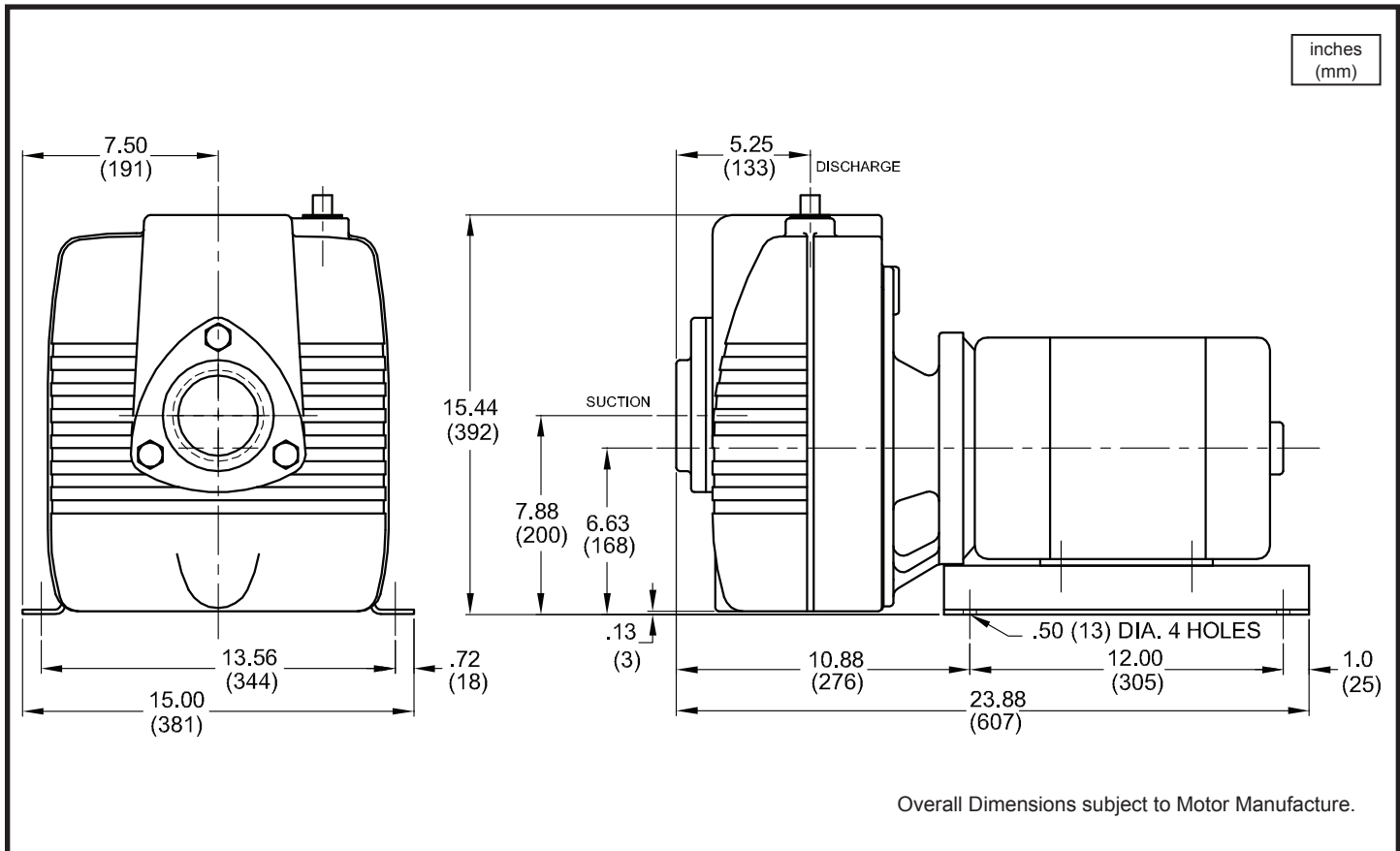
Series 15CCE

Electric Drive
3" NPT

BARNES®

www.cranepumps.com

Self-Priming Universal/Electric Driven



MODEL NO	PART NO	MOTOR DESIGN	HP	VOLT	PH	Hz	RPM (Nom)	FULL LOAD AMPS	LOCKED ROTOR AMPS	WEIGHT NET LBS (kg)
15CCE	028508	ODP	7.5	230/460	3	60	3450	22/11	127/63.5	248 (113)
15CCE	028508F	TEFC	7.5	230/460	3	60	3450	20-19.2/9.6		278 (126)

IMPORTANT !

- DO NOT USE FOR PUMPING FLUIDS WITH A FLASH POINT OF LESS THAN 100°F.
- MAKE CERTAIN THAT PUMP AND/OR MOTOR ASSEMBLY AND CONTROLS HAVE THE APPROPRIATE RATINGS FOR THE GIVEN APPLICATION AREA CLASSIFICATION. (ie DIVISION I, AGENCY LISTING ETC.)

SECTION 4E
PAGE 8
DATE 6/18

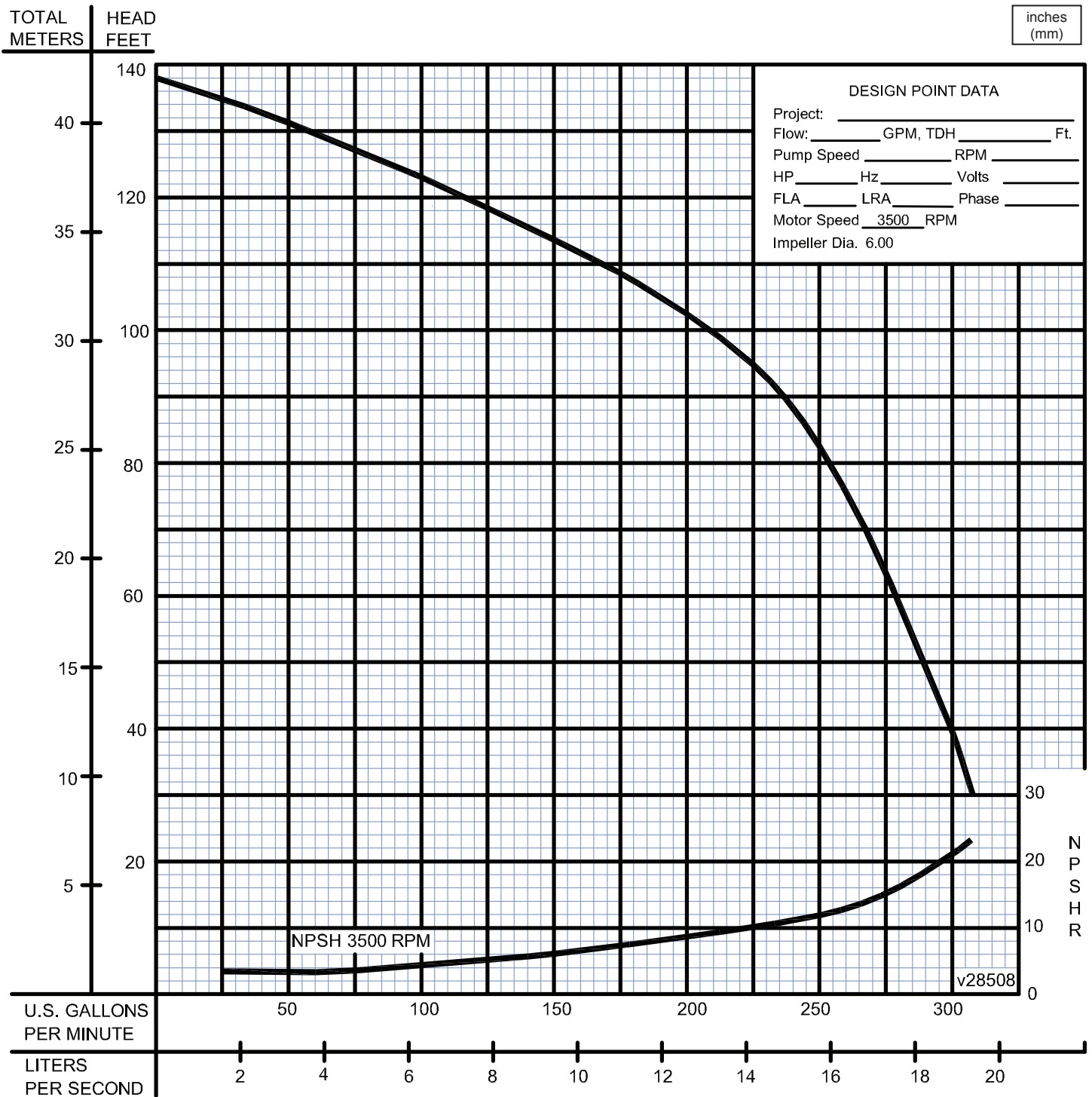
CRANE®

A Crane Co. Company

PUMPS & SYSTEMS

USA: (937) 778-8947 • Canada: (905) 457-6223 • International: (937) 615-3598

Self-Priming Universal/Electric Driven



Testing is performed with water, specific gravity 1.0 @ 68° F @ (20°C), other fluids may vary performance