

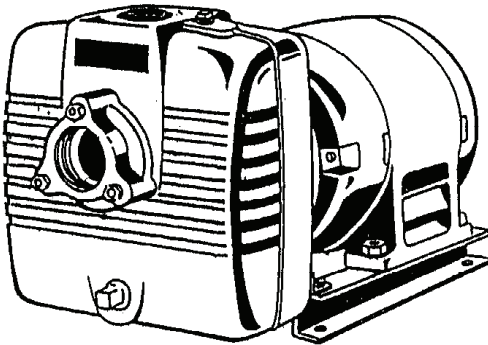
# Series 10CCE & 10CCE-1

Electric Drive  
2" NPT

# BARNES®

www.cranepumps.com

## Self-Priming Universal/Electric Driven



## Specifications:

SUCTION/DISCHARGE	.....2" x 2" NPT, Female
LIQUID TEMPERATURE	.....160°F (71°C) Continuous
INTERMEDIATE	.....Cast Iron ASTM A-48, Class 30
VOLUTE	.....Cast Iron ASTM A-48, Class 30
BODY	.....Cast Iron ASTM A-48, Class 30
PEDESTAL	.....Cast Iron ASTM A-48, Class 30
IMPELLER: <i>Design</i>	.....Semi-Open, Dynamically Balanced, ISO G6.3
<i>Material</i>	.....Cast Iron ASTM A-48, Class 30
SHAFT	.....Stainless Steel
SHAFT SLEEVE	.....Bronze
SQUARE RINGS	.....Buna-N
HARDWARE	.....Series Stainless Steel
PAINT	.....Air Dry Enamel.
SEAL:	
<i>Design</i>	.....Mechanical
<i>Lubrication</i>	.....Self-Lubricating
<i>Material</i>	.....Rotating Faces - Carbon Stationary Faces - Ni-Resist Elastomer - Buna-N Hardware - 300 Series Stainless
CHECK VALVE:	
<i>Material</i>	.....Valve Flap-Neoprene Weight-Cast Iron ASTM A-48, Class 30
MOTOR: <i>Design</i>	.....Open Drip Proof, NEMA L - Single Phase, NEMA B - Three Phase Torque Curve. C-Face, Footed, Squirrel Cage Induction. Marine Duty Per USCG259 and AIEEE-45, 50°C Ambient
<i>Insulation</i>	.....Class B
SINGLE PHASE	.....Single Voltage 230
THREE PHASE	.....Dual Voltage 230/460
OPTIONAL EQUIPMENT	.....Seal Material, TEFC Motors

**Series: 10CCE & 10CCE-1**  
**5HP, 3450RPM**  
MAX SPHERE 1/2"

### DESCRIPTION:

SELF-PRIMING CENTRIFUGAL PUMPS  
DESIGNED FOR MARINE, MUNICIPAL AND  
INDUSTRIAL APPLICATIONS



**WARNING:**  
CANCER AND REPRODUCTIVE HARM -  
WWW.P65WARNINGS.CA.GOV

SECTION 4E  
PAGE 4  
DATE 12/18

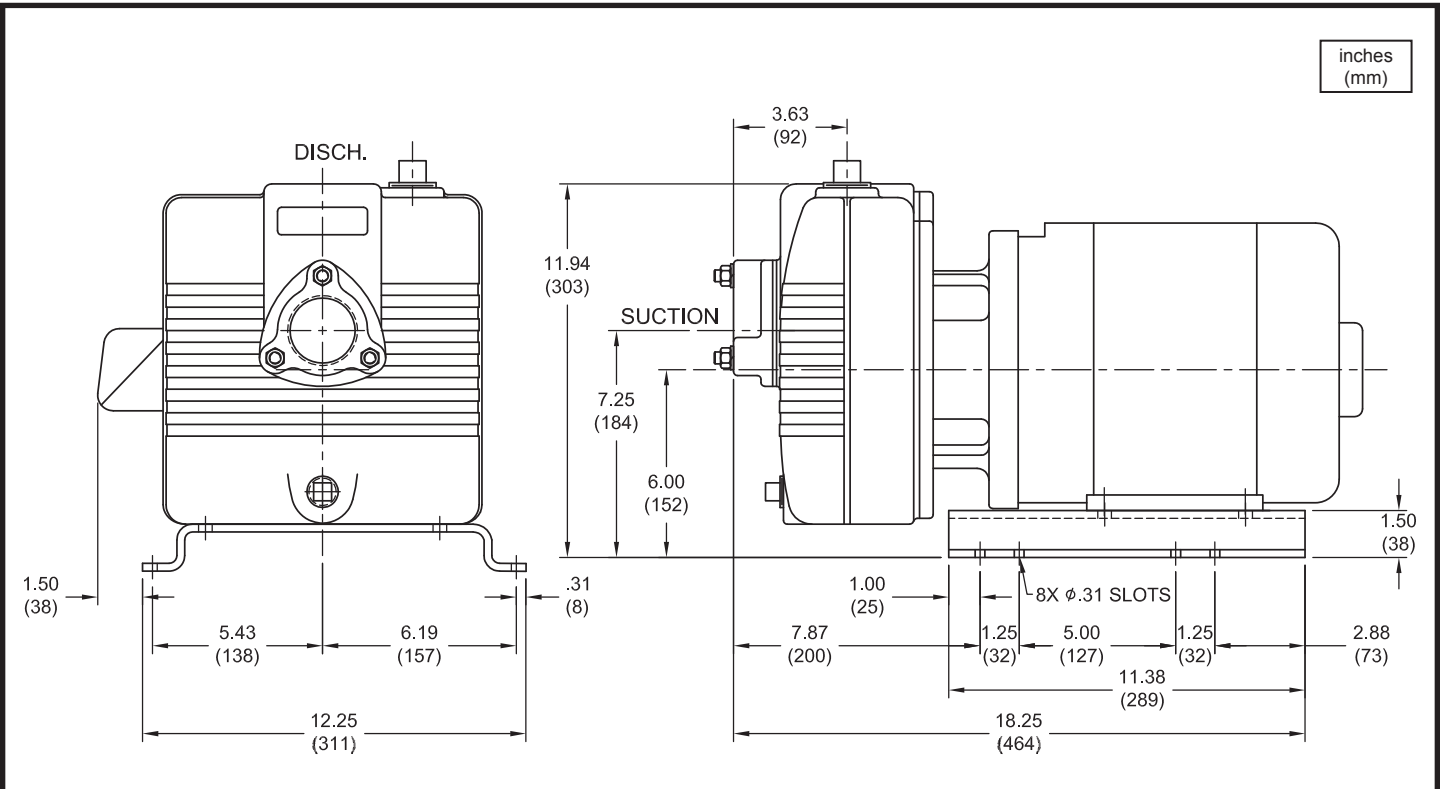
**CRANE®**

A Crane Co. Company

**PUMPS & SYSTEMS**

USA: (937) 778-8947 • Canada: (905) 457-6223 • International: (937) 615-3598

### Self-Priming Universal/Electric Driven



Overall Dimensions subject to Motor Manufacture.

MODEL NO	PART NO	MOTOR DESIGN	HP	VOLT	PH	Hz	RPM (Nom)	FULL LOAD AMPS	LOCKED ROTOR AMPS	WEIGHT NET LBS (kg)
10CCE	028506	ODP	5.0	230/460	3	60	3450	15.2/7.6	92/46	164 (74)
10CCE-1	028504	ODP	5.0	230	1	60	3450	23	125	164 (74)
10CCE	028506F	TEFC	5.0	230/460	3	60	3450	6 @ 460	47 @ 460	193 (88)
10CCE-1	028504F	TEFC	5.0	230	1	60	3450	23	170	185 (84)

#### IMPORTANT !

- DO NOT USE FOR PUMPING FLUIDS WITH A FLASH POINT OF LESS THAN 100°F.
- MAKE CERTAIN THAT PUMP AND/OR MOTOR ASSEMBLY AND CONTROLS HAVE THE APPROPRIATE RATINGS FOR THE GIVEN APPLICATION AREA CLASSIFICATION. (ie DIVISION I, AGENCY LISTING ETC.)

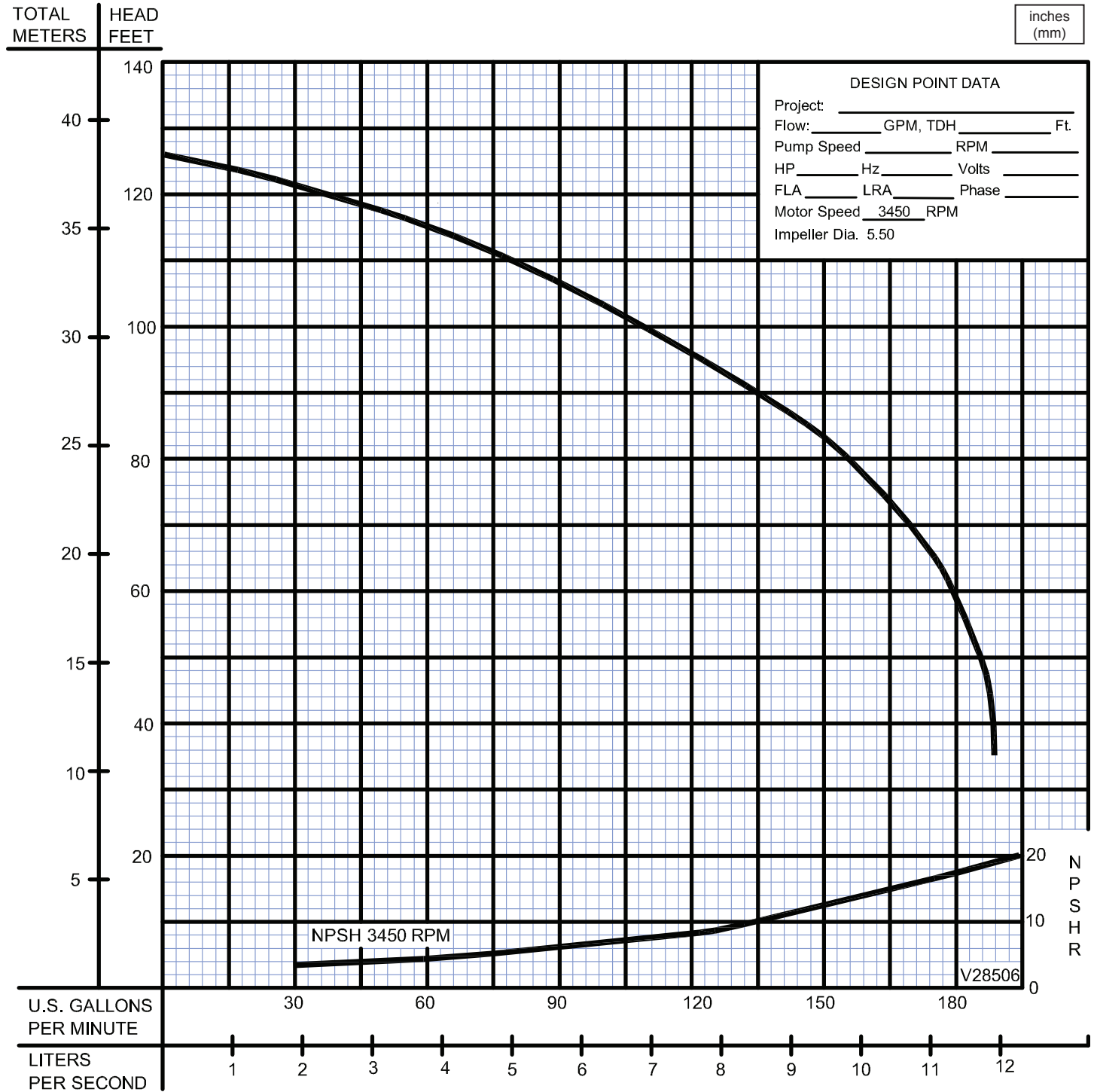
# Series 10CCE & 10CCE-1

Performance Curve  
Electric Drive

# BARNES®

www.cranepumps.com

## Self-Priming Universal/Electric Driven



Testing is performed with water, specific gravity 1.0 @ 68° F @ (20°C), other fluids may vary performance

SECTION 4E  
PAGE 6  
DATE 5/05

**CRANE**  
A Crane Co. Company

PUMPS & SYSTEMS

USA: (937) 778-8947 • Canada: (905) 457-6223 • International: (937) 615-3598