

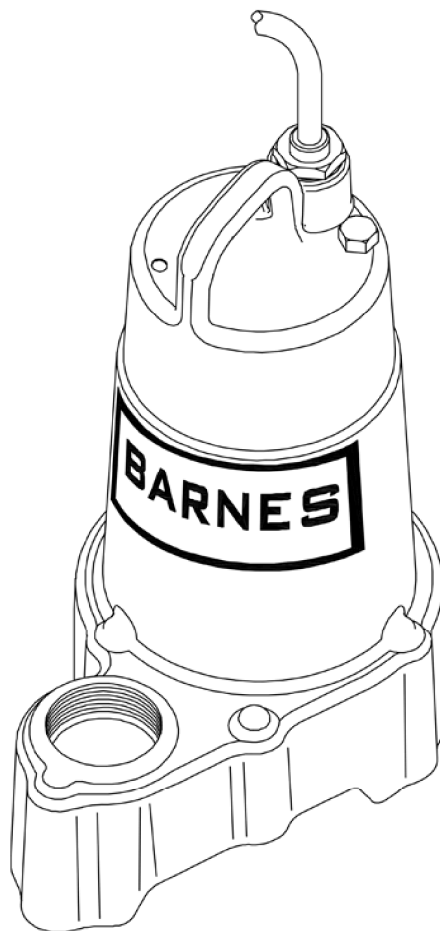
CRANE

PUMPS & SYSTEMS

BARNES

SP50 – 0.5 HP

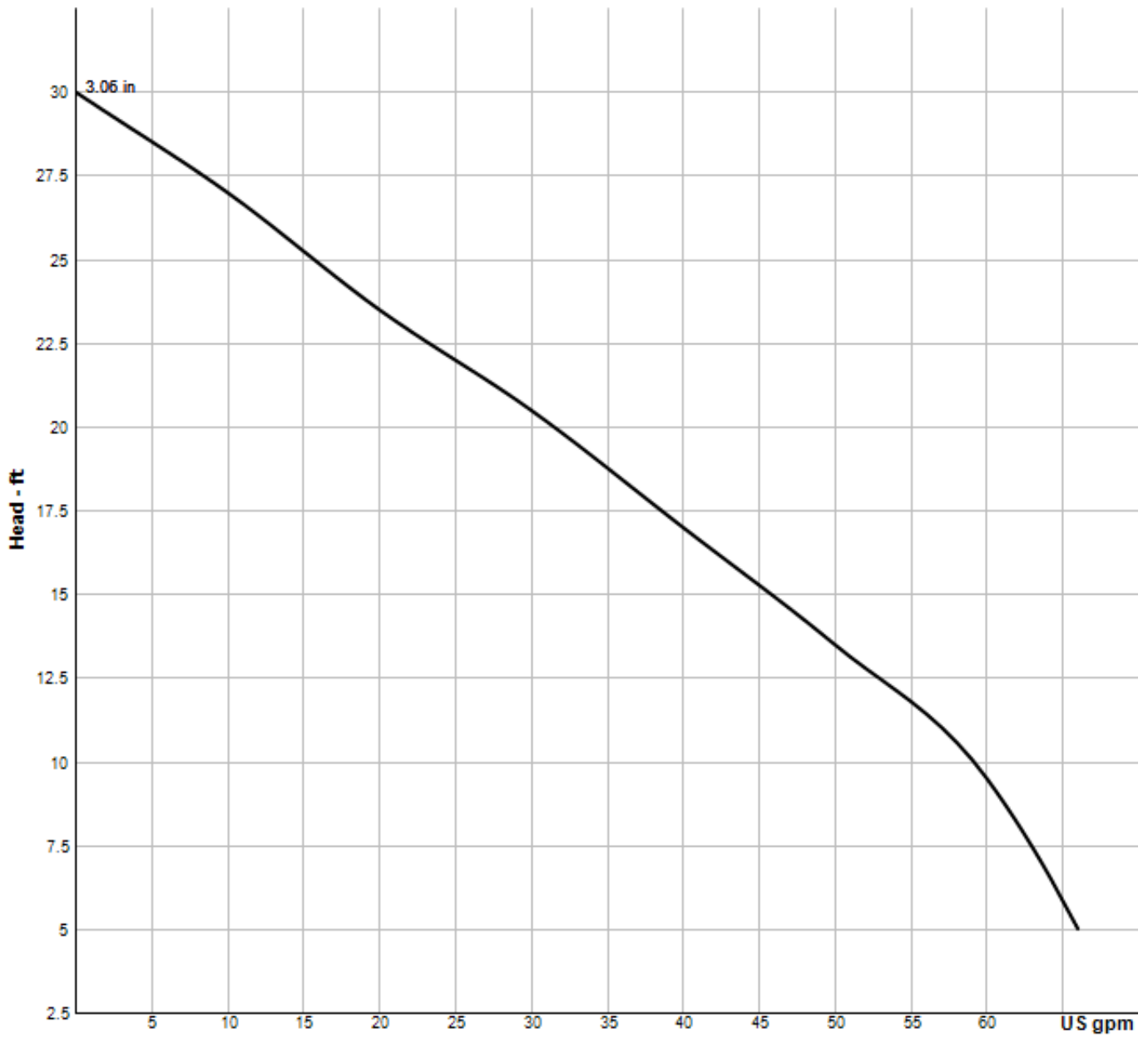
**1/2" Spherical Solids Handling - Manual & Automatic,
Submersible Sump/Effluent**




DISCHARGE:	1½" NPT, Female, vertical
LIQUID TEMPERATURE:	104°F (40°C) Continuous
MOTOR HOUSING:	Cast iron
PUMP STRAINER:	Thermoplastic
IMPELLER:	<ul style="list-style-type: none"> • Design: 10 Vane vortex, with pump out vanes on back side. Balanced, ISO G6.3 • Material: Cast iron
SHAFT:	Stainless steel
O-RINGS:	Buna-N
HARDWARE:	300 Series stainless steel
PAINT:	Air dry enamel
SEAL:	<ul style="list-style-type: none"> • Design: Single mechanical, type 21 • Material: Carbon/Ceramic/Buna-N • Hardware: 300 Series Stainless
UPPER BEARING:	Single row, ball, oil lubricated
LOWER BEARING:	Single row, ball, oil lubricated
CORD ENTRY:	10 ft. (3m) or 20 ft. (6m) Cord with plug and pressure grommet for sealing and strain relief
MOTOR:	<ul style="list-style-type: none"> • Design: Oil filled • Insulation: Class B
SINGLE PHASE:	Permanent Split Capacitor (PSC). Includes thermal overload protection in motor
LEVEL CONTROL:	<ul style="list-style-type: none"> • SP50X: None • SP50AX: Wide angle, mechanical, 20 ft (6m) cord • SP50VFX: Vertical float, PVC, snap action, 20 ft. (6m) cord
MINIMUM SUMP DIA:	<ul style="list-style-type: none"> • SP50AX: 18" (457mm) • SP50X & SP50VXF: 12" (305mm)



GFCI Compatible to comply with NEC 210.8 (A)



 Testing is performed with water specific gravity of 1.0 @ 68°F (20°C), other fluids may vary performance

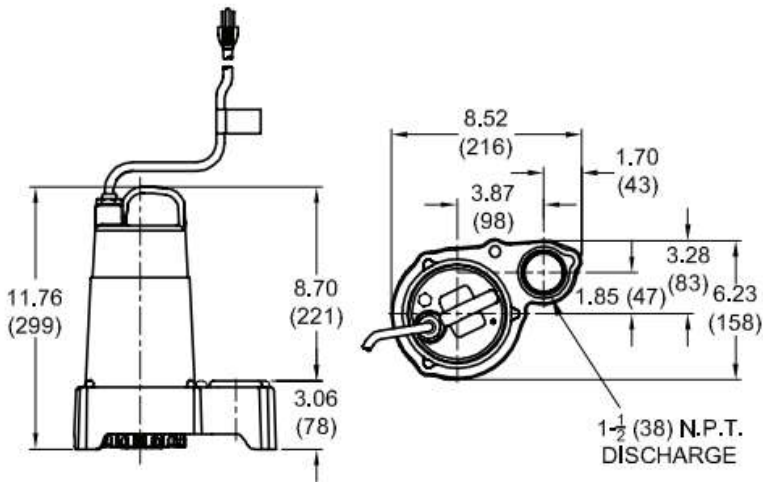
PUMP MODEL NUMBER	SP50X	SP50AX	SP50VFX
PART NUMBER	112875	112877	112879
HP	1/2	1/2	1/2
VOLTAGE/PHASE	120/1	120/1	120/1
HZ	60	60	60
RPM (NOMINAL)	3450	3450	3450
NEMA START CODE	A	A	A
FULL LOAD AMPS	6.8	6.8	6.8
CORD LENGTH	20 FT. (6M)	20 FT. (6M)	20 FT. (6M)
CORD SIZE	18/3	18/3	18/3
CORD TYPE	SJTOW / SJTW	SJTOW / SJTW	SJTOW / SJTW
WEIGHT (LBS)	34	34	34




IMPORTANT

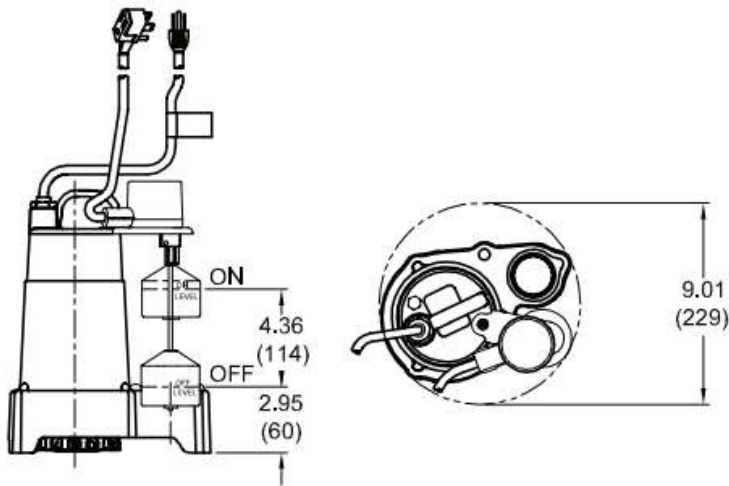
- 1.) PUMP MAY BE OPERATED "DRY" FOR EXTENDED PERIODS WITHOUT DAMAGE TO MOTOR AND/OR SEALS.
- 2.) INSTALLATIONS SUCH AS DECORATIVE FOUNTAINS OR WATER FEATURES PROVIDED FOR VISUAL ENJOYMENT MUST BE INSTALLED IN ACCORDANCE WITH THE NATIONAL ELECTRIC CODE ANSI/NFPA 70 AND/OR THE AUTHORITY HAVING JURISDICTION. THIS PUMP IS NOT INTENDED FOR USE IN SWIMMING POOLS, RECREATIONAL WATER PARKS, OR INSTALLATIONS IN WHICH HUMAN CONTACT WITH PUMPED MEDIA IS A COMMON OCCURRENCE.

SP50



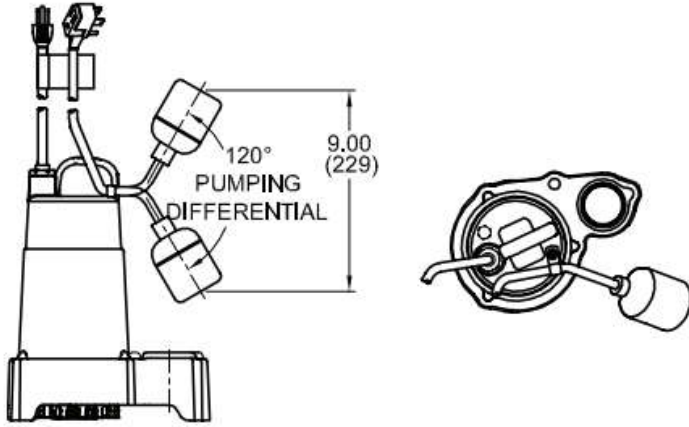
 All dimensions are in inches (mm)

SP50VF



 All dimensions are in inches (mm)

SP50A



All dimensions are in inches (mm)