

RV – 1HP

2" 1HP Grinder Pump - Manual and Automatic

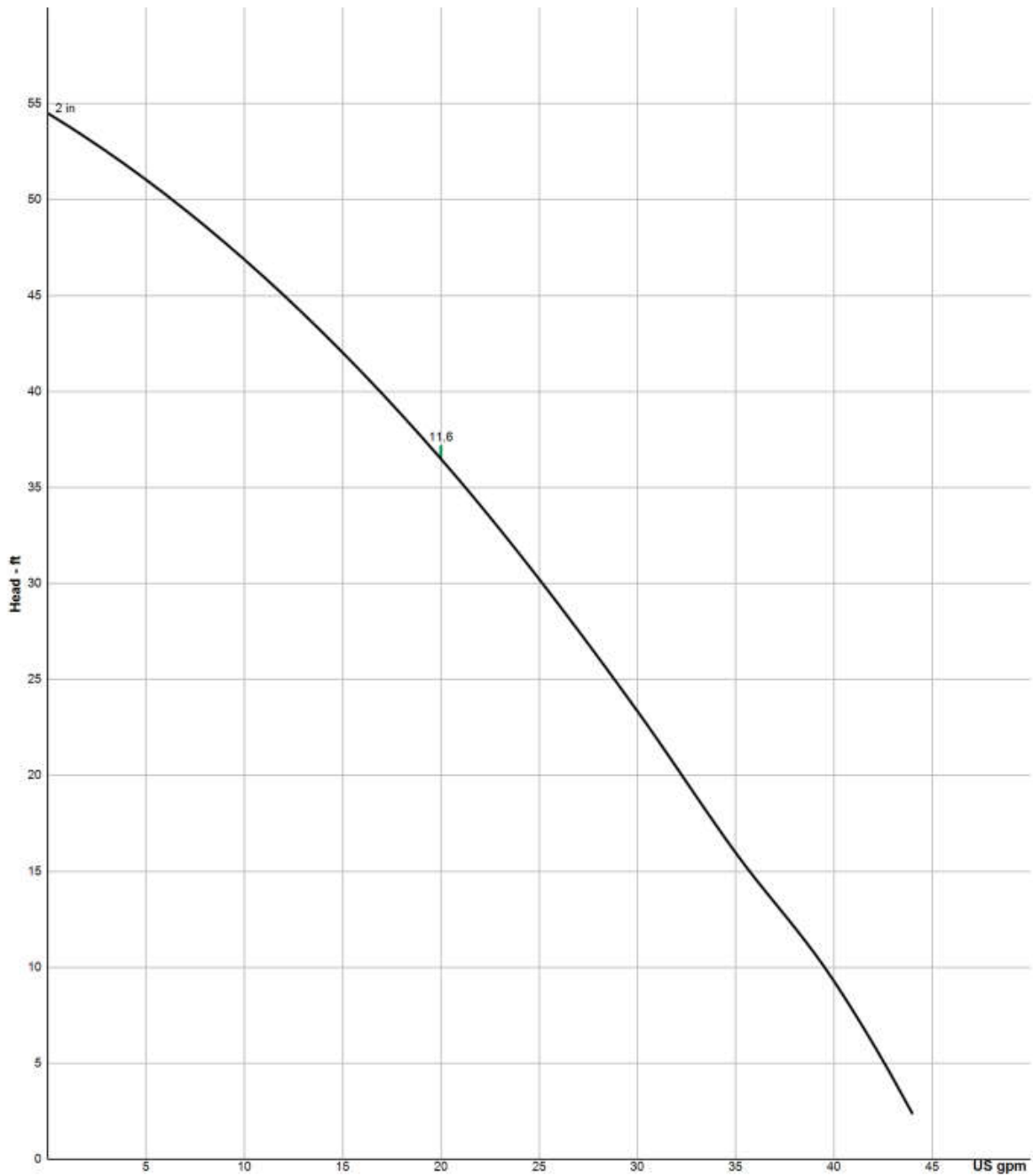


Specifications

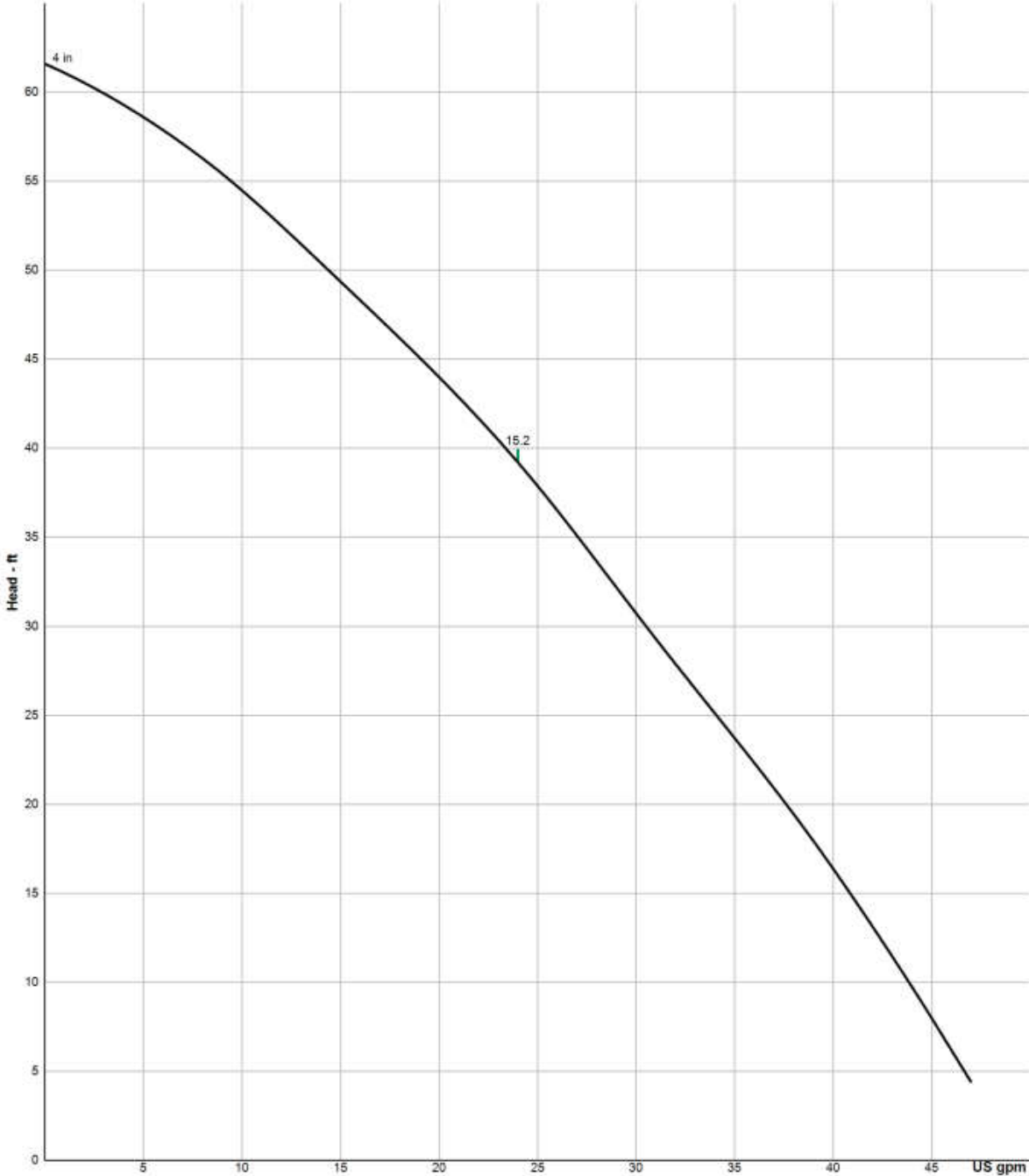
DISCHARGE:	2" NPT
LIQUID TEMPERATURE:	104°F (40°C) Continuous
VOLUTE:	Cast iron ASTM A-48, class 30
MOTOR HOUSING:	Cast iron ASTM A-48, class 30
SEAL PLATE:	Cast iron ASTM A-48, class 30
IMPELLERS:	Design: Semi-open, with pump out vanes on back side. Dynamically balanced, ISO G6.3. Material: Bronze
CUTTER PLATE:	Hardened 440C stainless steel Rockwell® C-55.
CUTTER:	Hardened 440C stainless steel, Rockwell® C-55.
SHAFT:	416 Stainless steel
SQUARE RINGS:	Buna-N
HARDWARE:	300 Series stainless steel
PAINT:	Powder coat
	Design: Single mechanical
	Material:
SEAL:	<ul style="list-style-type: none"> • Rotating Faces: Silicon-carbide • Stationary Faces: Silicon-carbide • Elastomer: Buna-N • Hardware: 300 Series stainless steel
CORD LENGTH:	20 ft.
CORD:	Manual, CSA/UL Approved, 16/3 Type SJTOW
	Design: Single row, ball
UPPER BEARING:	Lubrication: Oil
	Load: Radial & thrust
	Design: Single row, ball
LOWER BEARING:	Lubrication: Oil
	Load: Radial & thrust
MOTOR:	Design: NEMA L-single phase torque curve, oil-filled, squirrel cage induction (includes overload protection in the motor) Insulation: Class F
SINGLE PHASE:	Capacitor start/capacitor run
OPTIONAL EQUIPMENT:	Float

Curves

RV 101



RV 102



Model Information

MODEL NUMBER	RV101 - 115	RV101A* - 115	RV102 - 230	RV102A* - 230
PART NUMBER	145469	145469A	145470	145470A
HP	1	1	1	1
VOLTAGE	115	115	230	230
PHASE/HZ	1/60	1/60	1/60	1/60
RPM (NOMINAL)	3450	3450	3450	3450
NEMA START CODE	G	G	G	G
FULL LOAD AMPS	12	12	6	6
LOCKED ROTOR AMPS	43.0	43.0	31.4	31.4
CORD SIZE	16/3	16/3	16/3	16/3
CORD TYPE	SJTOW	SJTOW	STJOW	STJOW
CORD O.D. ± .02 (.5) IN (MM)	0.33 (8.38MM)	0.33 (8.38MM)	0.33 (8.38MM)	0.33 (8.38MM)



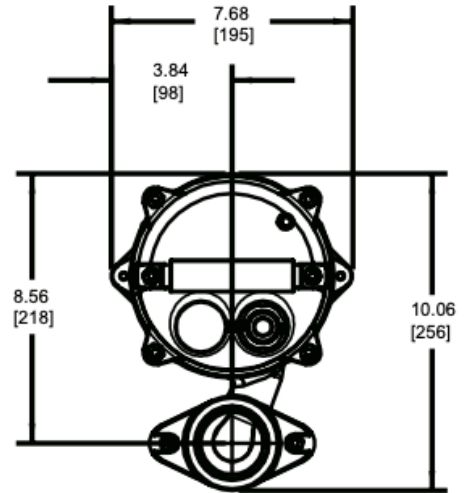
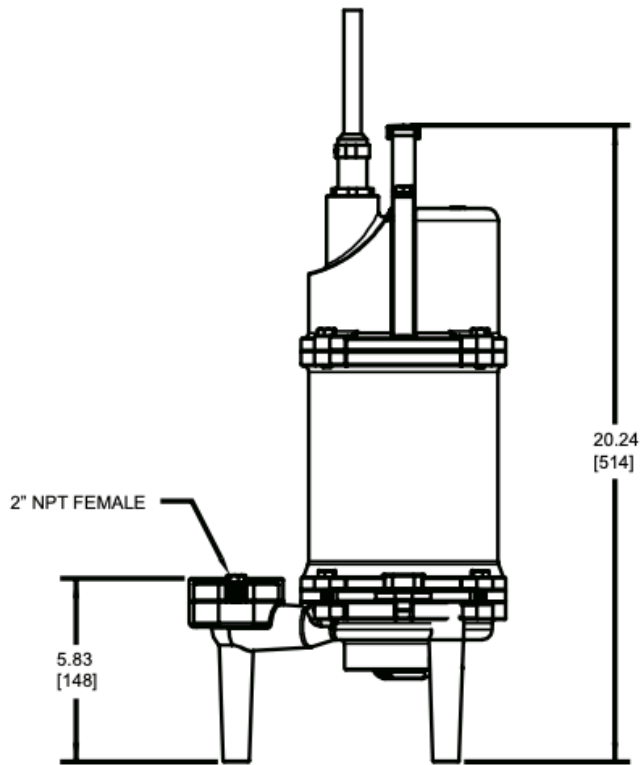
IMPORTANT

* NOTE: MODELS MARKED (*) ARE AUTOMATIC AND INCLUDE FLOAT IMPORTANT!

1.) PUMP MAY BE OPERATED "DRY" FOR EXTENDED PERIODS WITHOUT DAMAGE TO MOTOR AND/OR SEALS.

2.) INSTALLATIONS SUCH AS DECORATIVE FOUNTAINS OR WATER FEATURES PROVIDED FOR VISUAL ENJOYMENT MUST BE INSTALLED IN ACCORDANCE WITH THE NATIONAL ELECTRIC CODE ANSI/NFPA 70 AND/OR THE AUTHORITY HAVING JURISDICTION. THIS PUMP IS NOT INTENDED FOR USE IN SWIMMING POOLS, RECREATIONAL WATER PARKS, OR INSTALLATIONS IN WHICH HUMAN CONTACT WITH PUMPED MEDIA IS A COMMON OCCURRENCE.

▼ Drawings



All dimensions are in inches (mm)