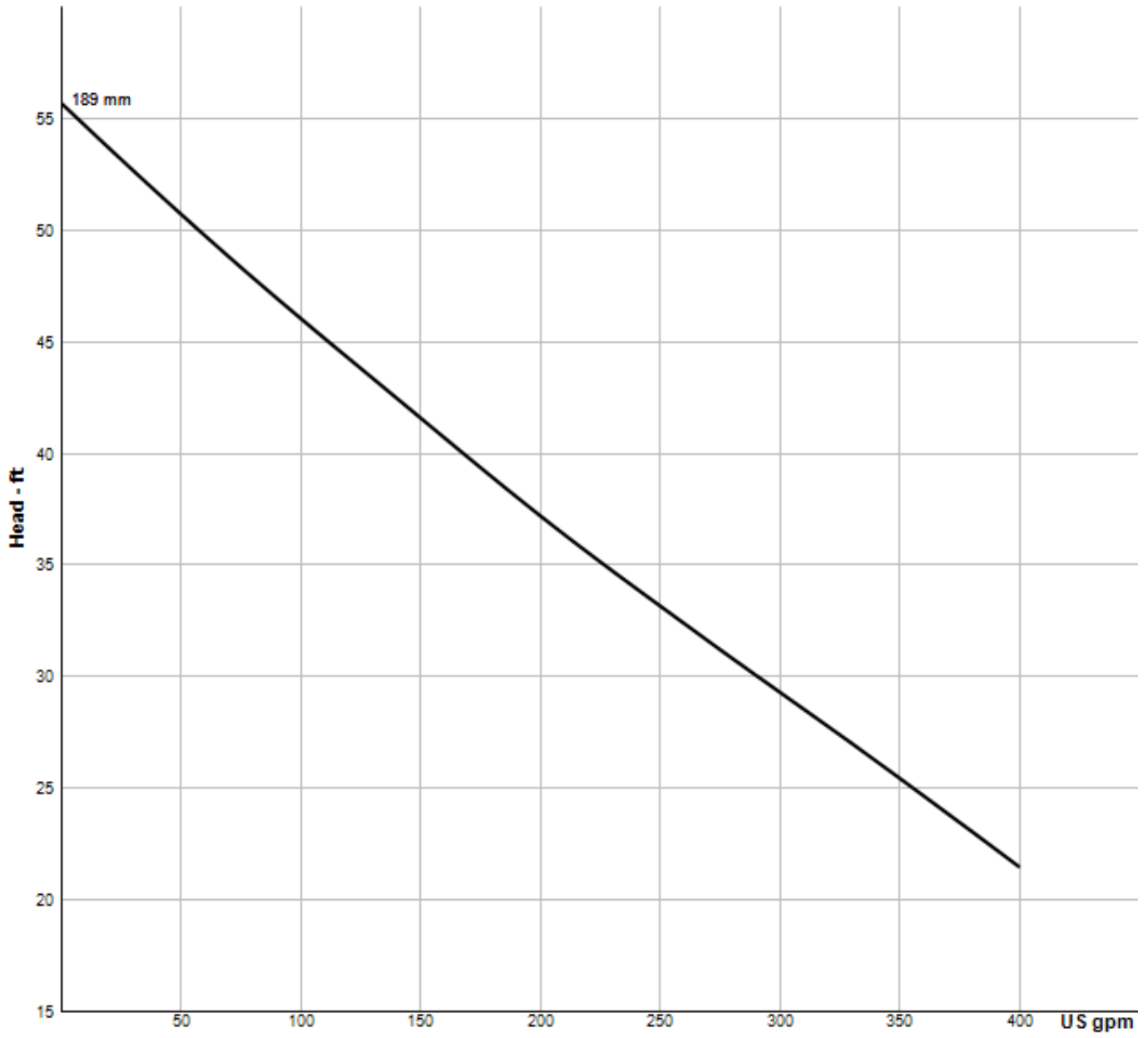


SEC – 5 HP



SPEED:	1750 RPM
STARTS PER HOUR:	8 starts, with a minimum rest time of 83 seconds
INCLUDED ADAPTERS:	<ul style="list-style-type: none"> • 4" Flanged elbow: Cast iron A-48, class 30 • 4" NPT adapter: Cast iron A-48, class 30 • 4" ANSI Horizontal adapter: Cast iron A-48, class 30"
SENSOR CORD:	UL Listed Cable, 18/4 AWG, SOW, 39 foot length, included with pump
POWER CORD:	UL Listed cable, 14/4 AWG, SOW, 39 foot length, included with pump
CUTTING PLATE:	ASTM A29 Grade 5140 alloy steel Rockwell C-42
VOLUTE:	Cast Iron A-48, Class 30 with air release valve
IMPELLER:	Design: Semi-open mono-vane, dynamically balanced ISO G6.3 Impeller Blade: . 440C Stainless steel Rockwell C-55 Hardware: 420 Stainless steel
DISCHARGE:	JIS 80 Horizontal flange
MOTOR:	Design: NEMA B, air-filled, squirrel cage induction Insulation: Class F
SHAFT:	Buna-N
MAX LIQUID TEMPERATURE:	104 deg. F (40 deg. C) Continuous
PAINT:	Air dry enamel
MOTOR HOUSING:	Cast iron A-48, Class 30
BEARING SEAT:	Cast iron A-48, Class 30
ELASTOMERS:	Buna-N
HARDWARE:	304 Stainless steel
LIFTING HOOKS:	420 Stainless steel
SEAL:	Design: Tandem mechanical Inboard: Carbon/Silicon carbide Outboard: Silicon carbide/Tungsten carbide Elastomer: Buna-N Hardware: 300 Series stainless steel
UPPER BEARING:	Design: Single row, ball, shielded and permanently lubricated
LOWER BEARING:	Design: Single row, ball, shielded and permanently lubricated
MOISTURE SENSOR:	Normally open, relay required
TEMPERATURE SENSOR:	Normally closed, relay required

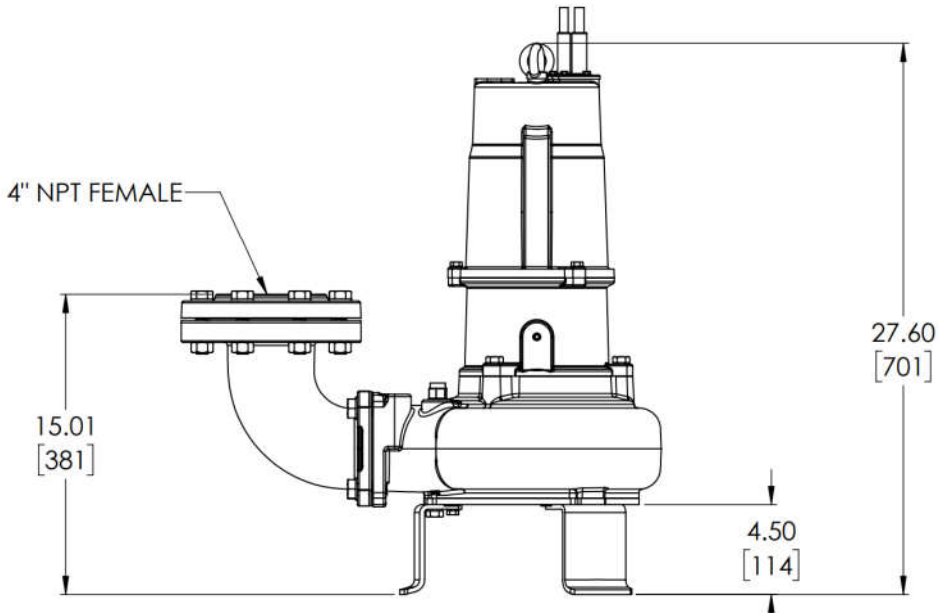
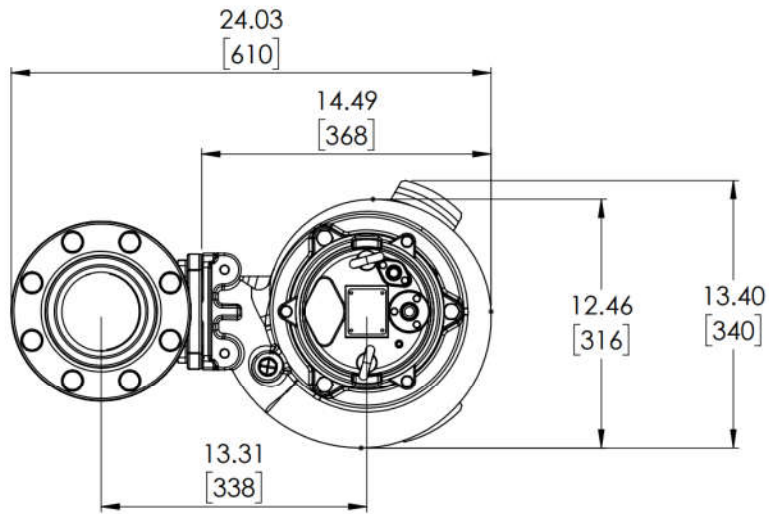



PUMP MODEL NUMBER	4SEC5094A	4SEC5044A
PART NUMBER	148315	148935
HP	5	5
VOLTAGE/PHASE	208-240/3	460/3
HZ	60	60
RPM	1750	1750
NEMA START CODE	J	J
INSULATION CLASS	F	F
FLA	14.3-13.8	6.9
LRA	96.0	48.0
CORD SIZE	14/4	14/4
CORD TYPE	SOW	SOW
CORD O.D. INCH (MM)	0.59 (15)	0.59 (15.0)



IMPORTANT

1) INSTALLATIONS SUCH AS DECORATIVE FOUNTAINS OR WATER FEATURES PROVIDED FOR VISUAL ENJOYMENT MUST BE INSTALLED IN ACCORDANCE WITH THE NATIONAL ELECTRIC CODE ANSI/NFPA 70 AND/OR THE AUTHORITY HAVING JURISDICTION. THIS PUMP IS NOT INTENDED FOR USE IN SWIMMING POOLS, RECREATIONAL WATER PARKS, OR INSTALLATIONS IN WHICH HUMAN CONTACT WITH PUMPED MEDIA IS A COMMON OCCURRENCE.



 All dimensions are in inches (mm)