

Series SEC

3SEC2092A
2HP, 3450RPM

BARNES®

www.cranepumps.com

Submersible Cutter Pumps



Series: SEC, 3SEC2092A 2HP, 3450RPM, 60Hz



DESCRIPTION:

SUMBERSIBLE CUTTER PUMP DESIGNED FOR REDUCING SOLIDS IN SEWAGE APPLICATIONS



WARNING:
CANCER AND REPRODUCTIVE HARM -
WWW.P65WARNINGS.CA.GOV

W

Cutting Plate	ASTM A29 Grade 5140 Alloy Steel Rockwell C-42
Volute	Cast Iron A-48, Class 30 With Air Release Valve
Impeller	Design: Semi-open Monovane, Dynamically Balanced ISO G6.3 Material: Cast Iron A-48, Class 30
Impeller Blade	440C Stainless Steel Rockwell C-55
Hardware	420 Stainless Steel
Discharge	JIS 80 Horizontal Flange
Included Adapters	3" Flanged Elbow: Cast Iron A-48, Class 30 3" NPT Adapter: Cast Iron A-48, Class 30
Motor	Design: NEMA B, Air-Filled, Squirrel Cage Induction Insulation: Class F
Shaft	420 Stainless Steel
Starts Per Hour	11 starts, with a minimum rest time of 77 seconds
Max Liquid Temperature	104 deg. F (40 deg. C) Continuous
Motor Housing	Cast Iron A-48, Class 30
Bearing Seat	Cast Iron A-48, Class 30
Elastomers	Buna-N
Hardware	304 Stainless Steel
Lifting Hooks	420 Stainless Steel
Seal	Design: Tandem Mechanical Material: Inboard: Carbon/Silicon Carbide Outboard: Silicon Carbide/Tungsten Carbide Elastomers: Buna-N Hardware: 300 Series Stainless Steel
Sensor Cord	UL Listed Cable, 18/4 AWG, SOW, 39 foot length, included with pump
Power Cord	UL Listed Cable, 16/4 AWG, SOW, 39 foot length, included with pump
Speed	3450 RPM
Upper Bearing	Design: Single Row, Ball, Shielded and Permanently Lubricated
Lower Bearing	Design: Single Row, Ball, Shielded and Permanently Lubricated
Moisture Sensor	Normally Open, Relay Required
Temperature Sensor	Normally Closed, Relay Required

SECTION 3B
PAGE B
DATE 12/22

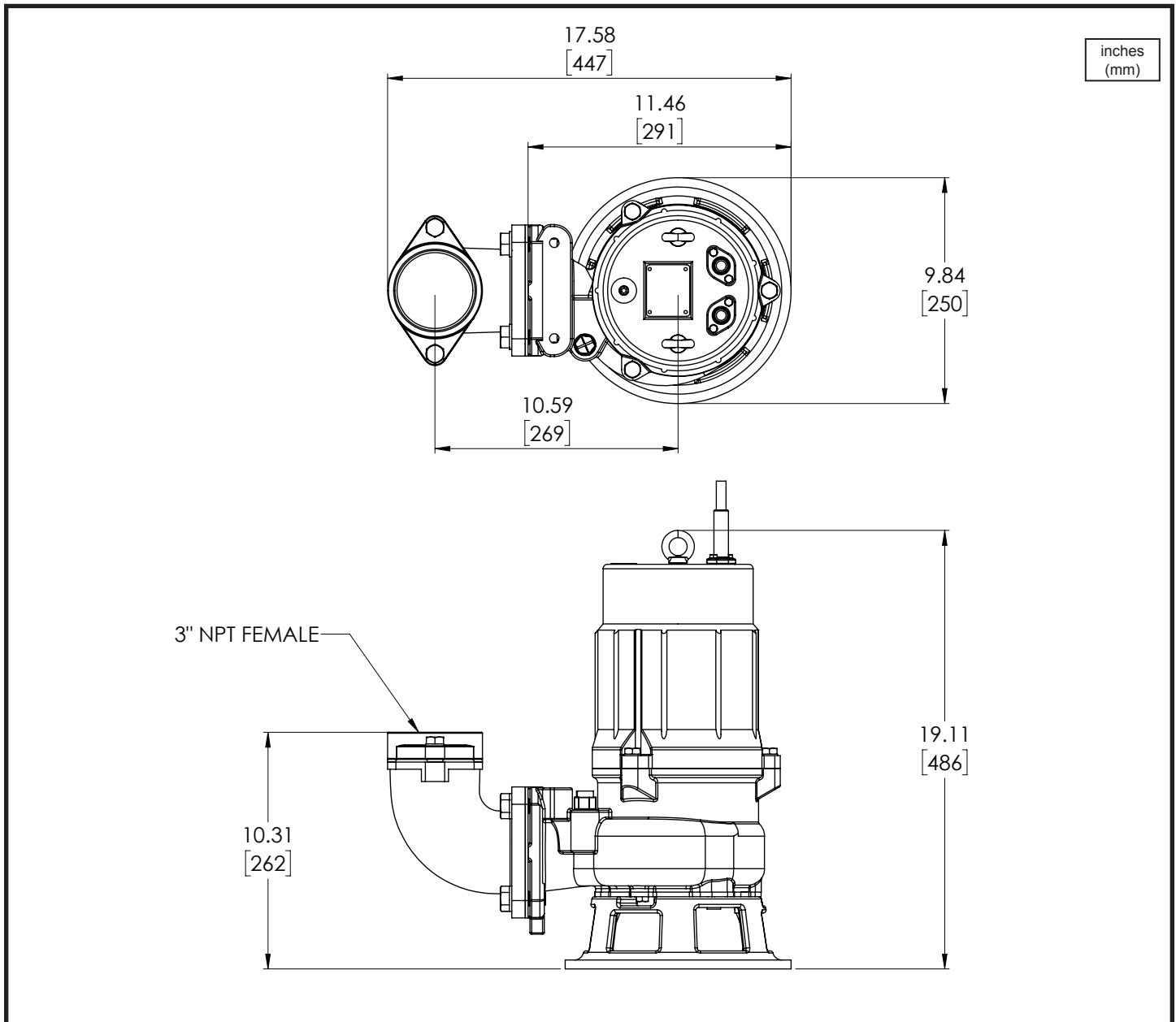
CRANE
®

A Crane Co. Company

PUMPS & SYSTEMS

USA: (937) 778-8947 • Canada: (905) 457-6223 • International: (937) 615-3598

Submersible Cutter Pumps



MODEL NO	PART NO	HP	VOLT	Ph/Hz	RPM	NEMA START CODE	INSUL. CLASS	FLA	LRA	CORD SIZE	CORD TYPE	CORD O.D. inch (mm)
3SEC2092A	148313	2	208-240	3/60	3450	M	F	5.5-5.7	53.0	16/4	SOW	.44 (11.2)

SENSOR CORD IS 18/4 SOW, .41 (10.4mm) O.D.

IMPORTANT !

1.) INSTALLATIONS SUCH AS DECORATIVE FOUNTAINS OR WATER FEATURES PROVIDED FOR VISUAL ENJOYMENT MUST BE INSTALLED IN ACCORDANCE WITH THE NATIONAL ELECTRIC CODE ANSI/NFPA 70 AND/OR THE AUTHORITY HAVING JURISDICTION. THIS PUMP IS NOT INTENDED FOR USE IN SWIMMING POOLS, RECREATIONAL WATER PARKS, OR INSTALLATIONS IN WHICH HUMAN CONTACT WITH PUMPED MEDIA IS A COMMON OCCURRENCE.

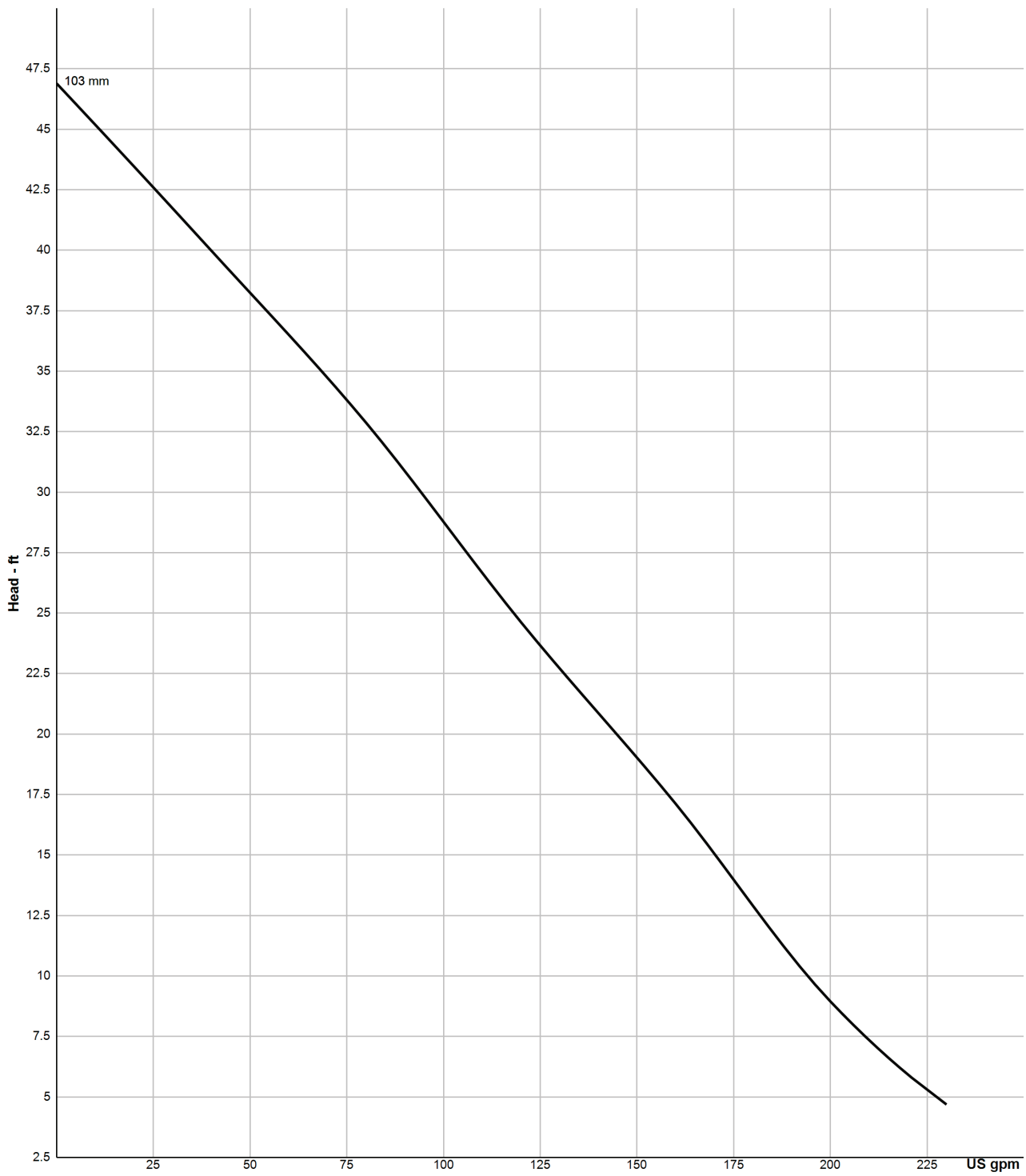
Series SEC

3SEC2092A
2HP, 3450RPM

BARNES®

www.cranepumps.com

Submersible Cutter Pumps



Testing is performed with water, specific gravity 1.0 @ 68° F @ (20°C), other fluids may vary performance

SECTION 3B
PAGE D
DATE 12/22

CRANE
A Crane Co. Company

PUMPS & SYSTEMS

USA: (937) 778-8947 • Canada: (905) 457-6223 • International: (937) 615-3598