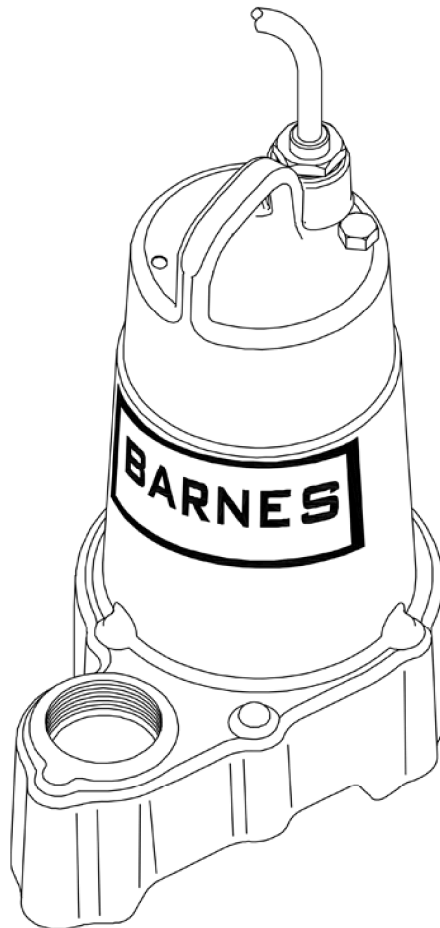



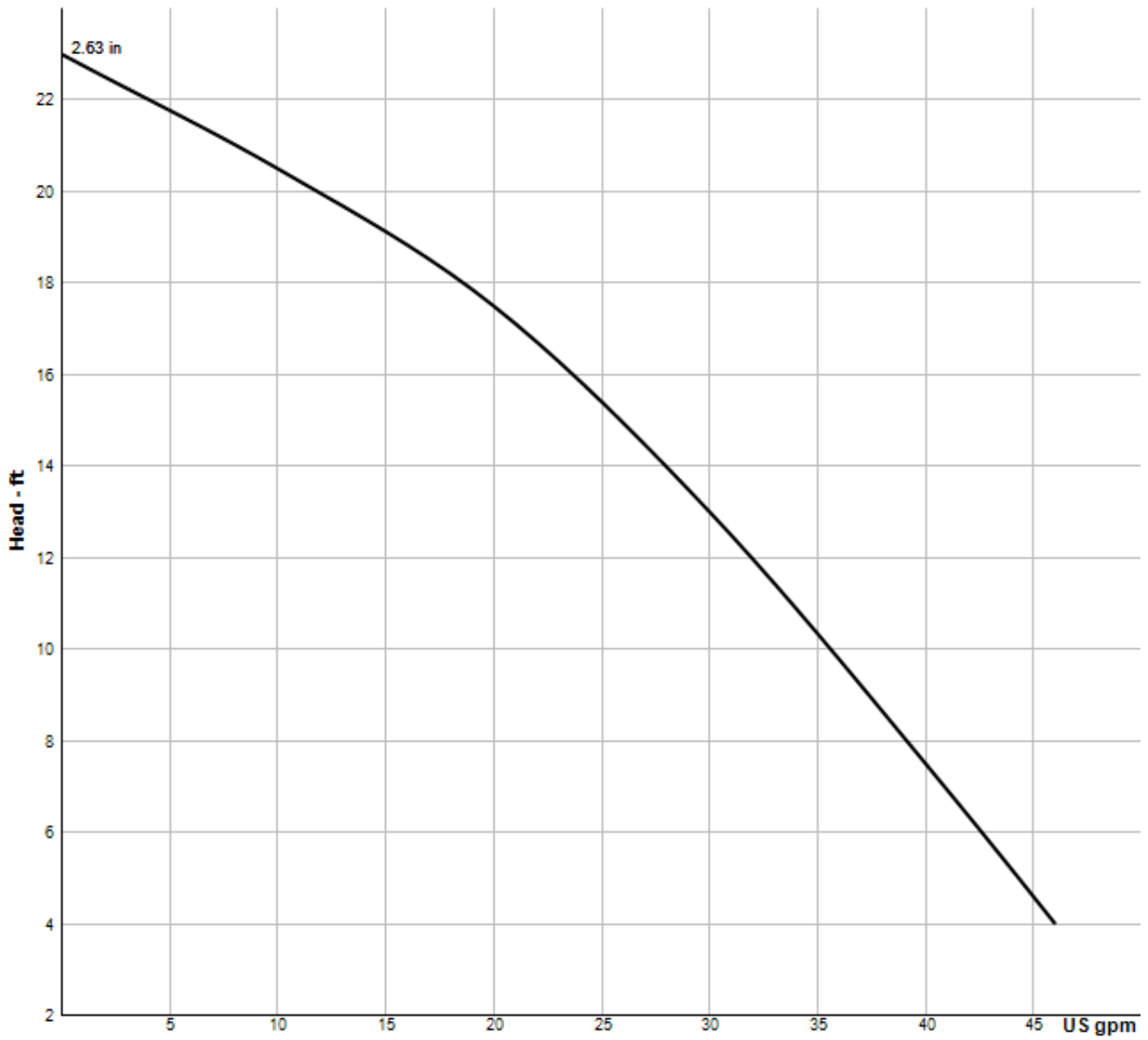
## SP33HTX – 1/3 HP


**High Temperature - 1/2" Spherical Solids Handling - Manual & Automatic, Submersible Sump / Effluent**



<b>DISCHARGE:</b>	1½" NPT, Female, vertical
<b>LIQUID TEMPERATURE:</b>	185°F (85°C) Continuous, fully submerged
<b>MOTOR HOUSING:</b>	Cast iron
<b>PUMP STRAINER:</b>	Stainless
<b>IMPELLER:</b>	<ul style="list-style-type: none"> <li>• <b>Design:</b> 10 Vane vortex, with pump out vanes on back side. Balanced, ISO G6.3</li> <li>• <b>Material:</b> Cast iron</li> </ul>
<b>SHAFT:</b>	Stainless steel
<b>O-RINGS:</b>	Buna-N
<b>HARDWARE:</b>	300 Series stainless steel
<b>PAINT:</b>	Air dry enamel
<b>SEAL:</b>	<ul style="list-style-type: none"> <li>• <b>Design:</b> Single mechanical, type 21</li> <li>• <b>Material:</b> Carbon/Ceramic/Buna-N</li> <li>• <b>Hardware:</b> 300 Series Stainless</li> </ul>
<b>UPPER BEARING:</b>	Single row, ball, oil lubricated
<b>LOWER BEARING:</b>	Single row, ball, oil lubricated
<b>CORD ENTRY:</b>	10 ft. (3m) or 20 ft. (6m) Cord with plug and pressure grommet for sealing and strain relief
<b>MOTOR:</b>	<ul style="list-style-type: none"> <li>• <b>Design:</b> Oil filled</li> <li>• <b>Insulation:</b> Class B</li> </ul>
<b>SINGLE PHASE:</b>	Permanent Split Capacitor (PSC). Includes thermal overload protection in motor
<b>MINIMUM SUMP DIA:</b>	<b>SP33HT:</b> . 12" (305mm)

 GFCI Compatible to comply with NEC 210.8 (A)



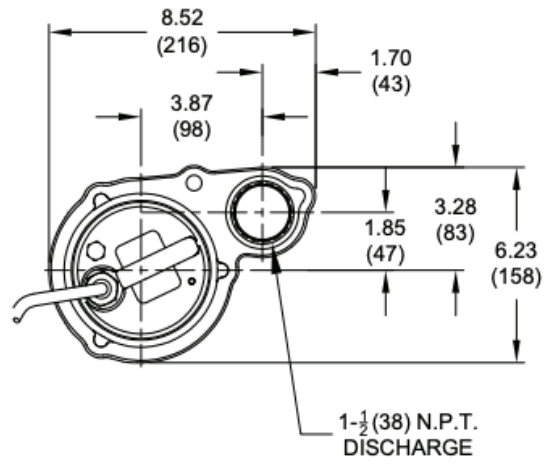
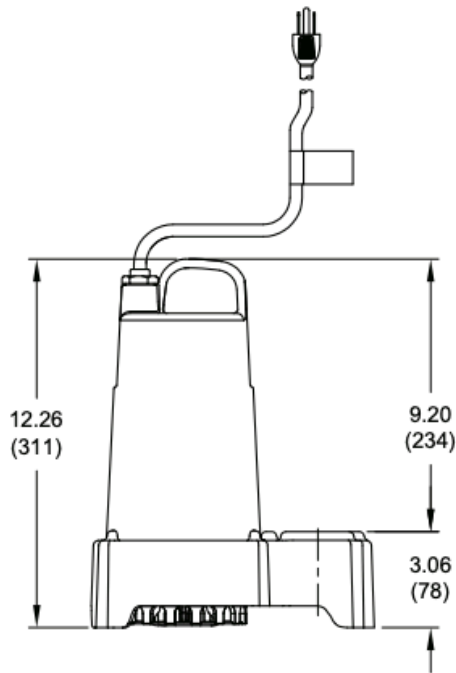
 Testing is performed with water specific gravity of 1.0 @ 68°F (20°C), other fluids may vary performance

PUMP MODEL NUMBER	SP33HTX
PART NUMBER	113667
HP	1/3
VOLTAGE/PHASE	120/1
HZ	60
RPM (NOMINAL)	3450
NEMA START CODE	B
FULL LOAD AMPS	4.1
CORD LENGTH	20 FT. (6M)
CORD SIZE	18/3
CORD TYPE	SJTOW / SJTW
WEIGHT (LBS)	24



**IMPORTANT**

- 1.) PUMP MAY BE OPERATED "DRY" FOR EXTENDED PERIODS WITHOUT DAMAGE TO MOTOR AND/OR SEALS.
- 2.) INSTALLATIONS SUCH AS DECORATIVE FOUNTAINS OR WATER FEATURES PROVIDED FOR VISUAL ENJOYMENT MUST BE INSTALLED IN ACCORDANCE WITH THE NATIONAL ELECTRIC CODE ANSI/NFPA 70 AND/OR THE AUTHORITY HAVING JURISDICTION. THIS PUMP IS NOT INTENDED FOR USE IN SWIMMING POOLS, RECREATIONAL WATER PARKS, OR INSTALLATIONS IN WHICH HUMAN CONTACT WITH PUMPED MEDIA IS A COMMON OCCURRENCE.
- 3.) MUST USE A HIGH TEMPERATURE WIDE ANGLE LEVEL CONTROL IN HIGH TEMPERATURE APPLICATIONS.



 All dimensions are in inches (mm)