

ZOGV-AU – 2 HP

Recessed Vortex with Level Control



Specifications

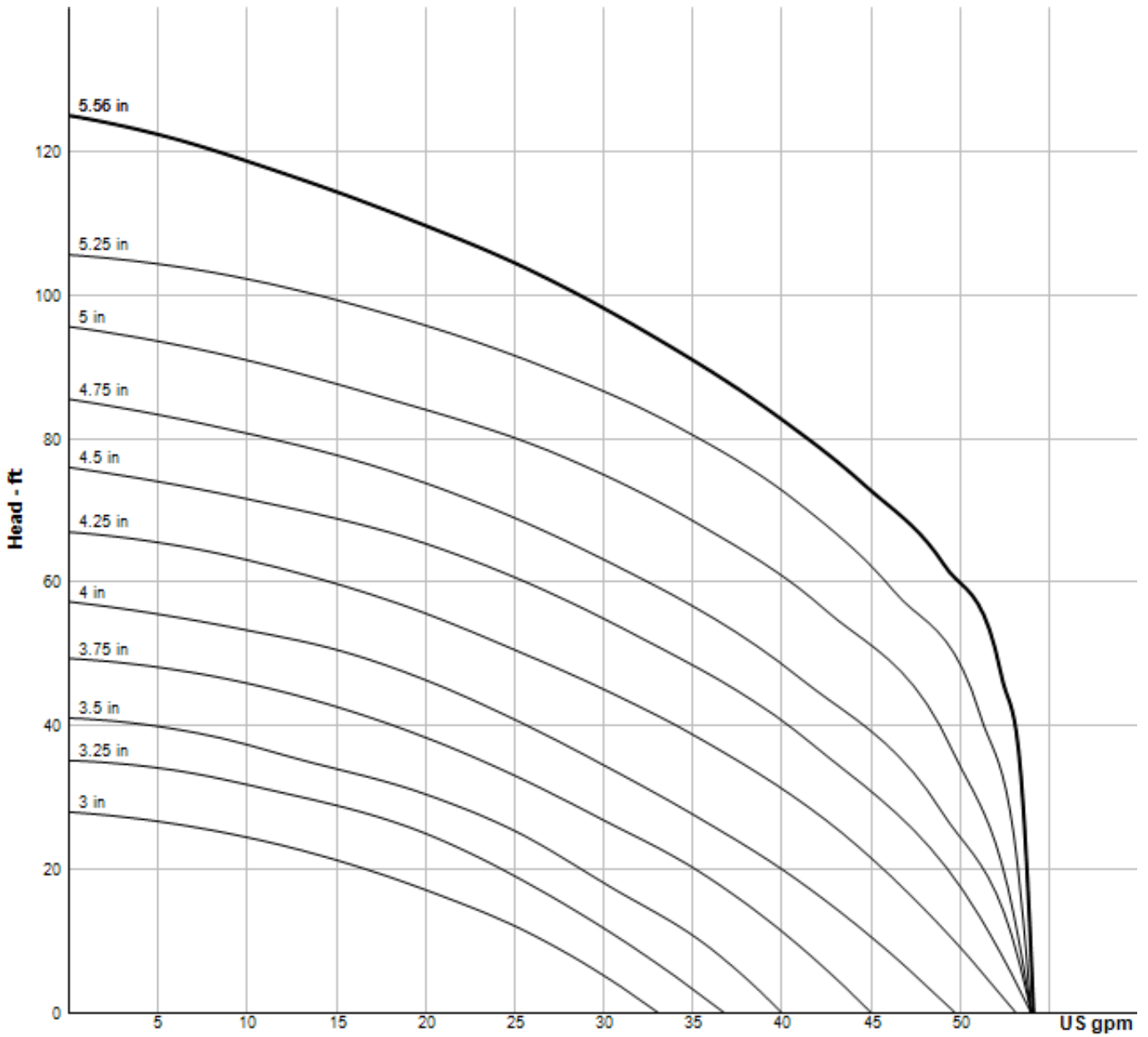
IMPELLER:	Design: 12 Vane vortex, with pump out vanes on back side. Dynamically balanced, ISO G6.3.
	Material: Cast iron
SEAL:	Design: Single Mechanical
	Material:
	<ul style="list-style-type: none"> • Rotating Faces: silicon-carbide • Stationary Faces: Silicon-carbide • Elastomer: Buna-N • Hardware: 300 Series stainless steel
CORD ENTRY:	30 ft. (9.1 m) Std. Cord. Custom molded quick connect, for sealing and strain relief
CORD:	.CSA/UL Approved 12/3 Type SOW
DISCHARGE:	1-1/4" NPT, Vertical, Bolt-on Flange
LIQUID TEMPERATURE:	104°F (40°C) Continuous
VOLUTE:	Cast iron ASTM A-48, class 30
MOTOR HOUSING:	Cast iron ASTM A-48, class 30
SEAL PLATE:	Cast Iron ASTM A-48, Class 30
CUTTER PLATE:	Hardened 440C stainless steel Rockwell® C-55
CUTTER:	Hardened 440C stainless steel, Rockwell® C-55
SHAFT:	416 Stainless steel
O-RINGS:	Buna-N
HARDWARE:	300 Series stainless steel
PAINT:	Powder coat
UPPER BEARING:	Design: Single row, ball
	Lubrication: Oil
	Load: Radial
LOWER BEARING:	Design: Single row, ball
	Lubrication: Oil
	Load: Radial & thrust
MOTOR:	Design: NEMA L-single phase torque curve. oil-filled, squirrel cage induction
	Insulation: Class F

SINGLE PHASE: Capacitor start/capacitor run

LEVEL CONTROL AU/F SERIES: On/Off & alarm wide angle, PVC mechanical, normally open, integral to pump. custom molded quick connect for sealing and strain relief

LEVEL CONTROL AUE SERIES: SOLD SEPARATELY (See optional accessory section below) Model ESPS-150, Environmentally sealed pressure switch with CPVC housing, HNBR diaphragm, custom molded quick connect for sealing and strain relief

Curve



Model Information

MODEL NUMBER	ZOGV2072AUF	ZOGV2072AUE
PART NUMBER	145350	** AUE MUST BE ORDERED THROUGH E-PUMP
HP	2	2
VOLTAGE	208-240	208-240
PHASE/HZ	1/60	1/60
RPM (NOMINAL)	3450	3450
NEMA START CODE	H	H
FULL LOAD AMPS	17.5-15.0	17.5-15.0
LOCKED ROTOR AMPS	53.8	53.8
CORD SIZE	12/5	12/5
CORD TYPE	SOW	SOW
CORD O.D. ± 0.02 - 0.5IN (MM)	0.71(18)	0.71(18)



ESPS LEVEL CONTROL SOLD SEPARATELY, SEE OPTION ACCESSORY SECTION BELOW



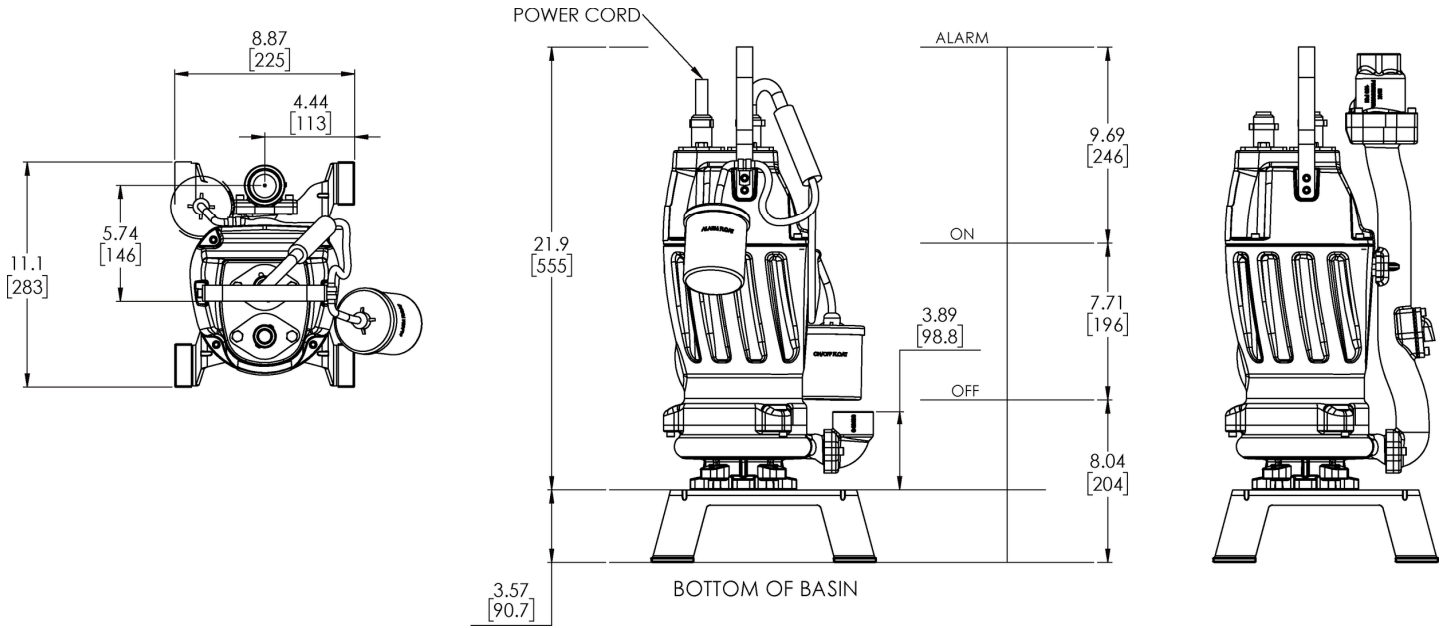
AUE MUST BE ORDERED THROUGH E-PUMP




Important

- 1) "AUF" SERIES PUMPS NOT UL OR CSA LISTED
- 2) PUMP MAY BE OPERATED "DRY" FOR EXTENDED PERIODS WITHOUT DAMAGE TO MOTOR AND/OR SEALS.
- 3) INSTALLATIONS SUCH AS DECORATIVE FOUNTAINS OR WATER FEATURES PROVIDED FOR VISUAL ENJOYMENT MUST BE INSTALLED IN ACCORDANCE WITH THE NATIONAL ELECTRIC CODE ANSINFPA 70 AND/OR THE AUTHORITY HAVING JURISDICTION. THIS PUMP IS NOT INTENDED FOR USE IN SWIMMING POOLS, RECREATIONAL WATER PARKS, OR INSTALLATIONS IN WHICH HUMAN CONTACT WITH PUMPED MEDIA IS A COMMON OCCURRENCE

Drawing



 All dimensions are in inches (mm)

Product Resources

Engineering Specifications (ZOGP)

Engineering Specifications (ZOGV)

Engineering Specifications (ZSGV)

I&O Manual

STEALTH Control Panel	C-Channel Guide Rail System
Pump Stand	C-Channel Moveable Fitting & Check Valve
Alarm/Disconnect Panel	Vertical Break Away Fitting
ESPS	Lifting Cable
Direct Burial Cable	Flexible Discharge Hose
Lifting Rope	Lifting Chain
Intermediate Rail Support for Vertical Break Away Fitting	

Station Drawings

Marketing Resources

- Sales Sheet
 - Brochure
 - Videos
-