

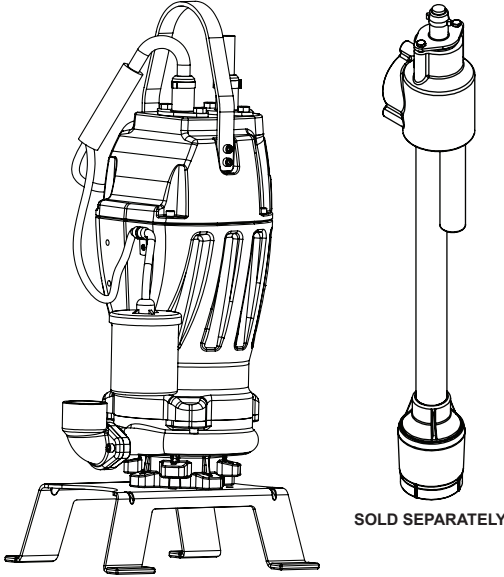
Series ZOGV-AU

Recessed Vortex
with Level Control

BARNES®

www.cranepumps.com

Submersible Grinder Pumps



Specifications:

| | |
|---------------------------------|---|
| DISCHARGE | 1 1/4" NPT, Vertical, Bolt-on Flange |
| LIQUID TEMPERATURE | 104°F (40°C) Continuous |
| VOLUTE | Cast Iron ASTM A-48, Class 30 |
| MOTOR HOUSING | Cast Iron ASTM A-48, Class 30 |
| SEAL PLATE | Cast Iron ASTM A-48, Class 30 |
| IMPELLER: Design | 12 Vane, Vortex, With Pump Out Vanes On Back Side. Dynamically Balanced, ISO G6.3. |
| Material | Cast Iron |
| CUTTER PLATE | Hardened 440C Stainless Steel Rockwell® C-55. |
| CUTTER | Hardened 440C Stainless Steel, Rockwell® C-55. |
| SHAFT | 416 Stainless Steel |
| O-RINGS | Buna-N |
| HARDWARE | 300 Series Stainless Steel |
| PAINT | Powder Coat |
| SEAL: Design | Single Mechanical |
| Material | Rotating Faces - Silicon-Carbide Stationary Faces - Silicon-Carbide Elastomer - Buna-N Hardware -300 Series Stainless |
| CORD ENTRY | 30 ft. (9.1 m) Std. Cord. Custom Molded Quick Connect, for Sealing and Strain Relief |
| CORD | Automatic CSA/UL Approved 12/5 Type SOW |
| UPPER BEARING: | |
| Design | Single Row, Ball, Oil Lubricated |
| Load | Radial |
| LOWER BEARING: | |
| Design | Single Row, Ball, Oil Lubrication: |
| Load | Radial & Thrust |
| MOTOR: Design | NEMA L-Single Phase Torque Curve. Oil-Filled, Squirrel Cage Induction. |
| Insulation | Class F. |
| SINGLE PHASE | Capacitor Start/Capacitor Run. |
| LEVEL CONTROL: | |
| AU Series | On/Off & Alarm Wide Angle, PVC Mechanical, Normally Open, Integral to pump. Custom molded quick connect for sealing and strain relief |
| AUE Series | SOLD SEPARATELY (See Accessory Section C page 36A) Model ESPS-150, Environmentally sealed pressure switch with CPVC housing, HNBR diaphragm, Custom molded quick connect for sealing and strain relief |
| OPTIONAL EQUIPMENT | Seal Material, Impeller Trims, Cord Length, Moveable Fitting |
| RECOMMENDED: | |
| Accessories | Break Away Fitting (BAF) Check Valve Control Panel |

Series: ZOGV-AU
2HP, 3450RPM, 60Hz
with Level Control

RAZOR

Sample Specifications: Section 3 Page 11.

DESCRIPTION:

THE GRINDER PUMP IS DESIGNED TO REDUCE DOMESTIC, COMMERCIAL, INSTITUTIONAL AND LIGHT INDUSTRIAL SEWAGE TO A FINELY GROUND SLURRY.



WARNING:
CANCER AND REPRODUCTIVE HARM -
WWW.P65WARNINGS.CA.GOV



SECTION 3B
PAGE 10
DATE 3/19

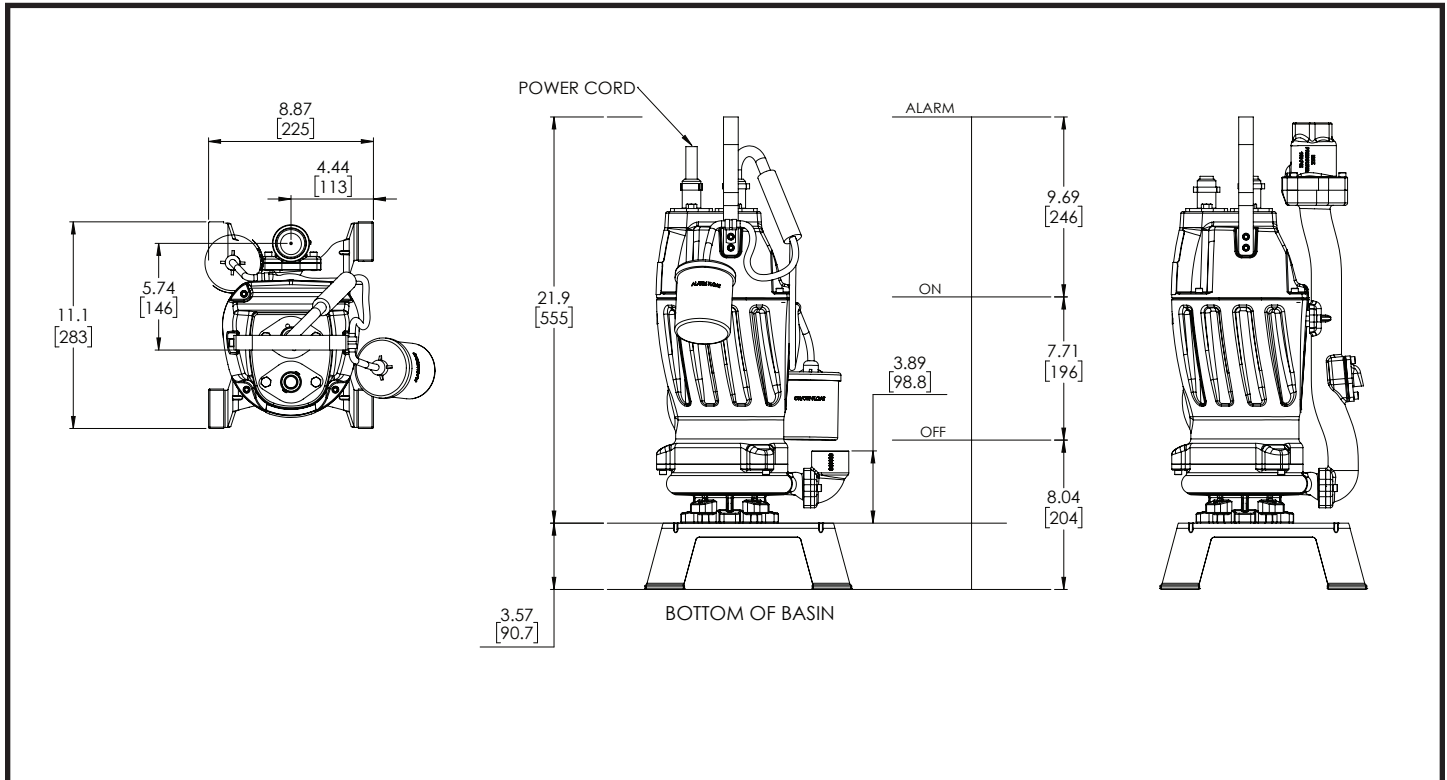
CRANE®

A Crane Co. Company

PUMPS & SYSTEMS

USA: (937) 778-8947 • Canada: (905) 457-6223 • International: (937) 615-3598

Submersible Grinder Pumps



| MODEL NO | PART NO | HP | VOLT | PH/Hz | RPM (Nom) | NEMA START CODE | FULL LOAD AMPS | LOCKED ROTOR AMPS | CORD SIZE | CORD TYPE | CORD O.D. ± .02 (.5) in (mm) |
|-------------|---------|----|---------|-------|-----------|-----------------|----------------|-------------------|-----------|-----------|------------------------------|
| ZOGV2072AUF | 145350 | 2 | 208-240 | 1/60 | 3450 | H | 17.5-15.0 | 53.8 | 12/5 | SOW | .71(18) |
| ZOGV2072AUE | ** | 2 | 208-240 | 1/60 | 3450 | H | 17.5-15.0 | 53.8 | 12/5 | SOW | .71(18) |

(*) ESPS Level Control Sold Separately, See Accessory Section C page 36A & B.

** AUE MUST BE ORDERED THRU EPUMP

IMPORTANT !

- 1.) "AUF" SERIES PUMPS NOT UL OR CSA LISTED
- 2.) PUMP MAY BE OPERATED "DRY" FOR EXTENDED PERIODS WITHOUT DAMAGE TO MOTOR AND/OR SEALS.
- 3.) INSTALLATIONS SUCH AS DECORATIVE FOUNTAINS OR WATER FEATURES PROVIDED FOR VISUAL ENJOYMENT MUST BE INSTALLED IN ACCORDANCE WITH THE NATIONAL ELECTRIC CODE ANSI/NFPA 70 AND/OR THE AUTHORITY HAVING JURISDICTION. THIS PUMP IS NOT INTENDED FOR USE IN SWIMMING POOLS, RECREATIONAL WATER PARKS, OR INSTALLATIONS IN WHICH HUMAN CONTACT WITH PUMPED MEDIA IS A COMMON OCCURRENCE.

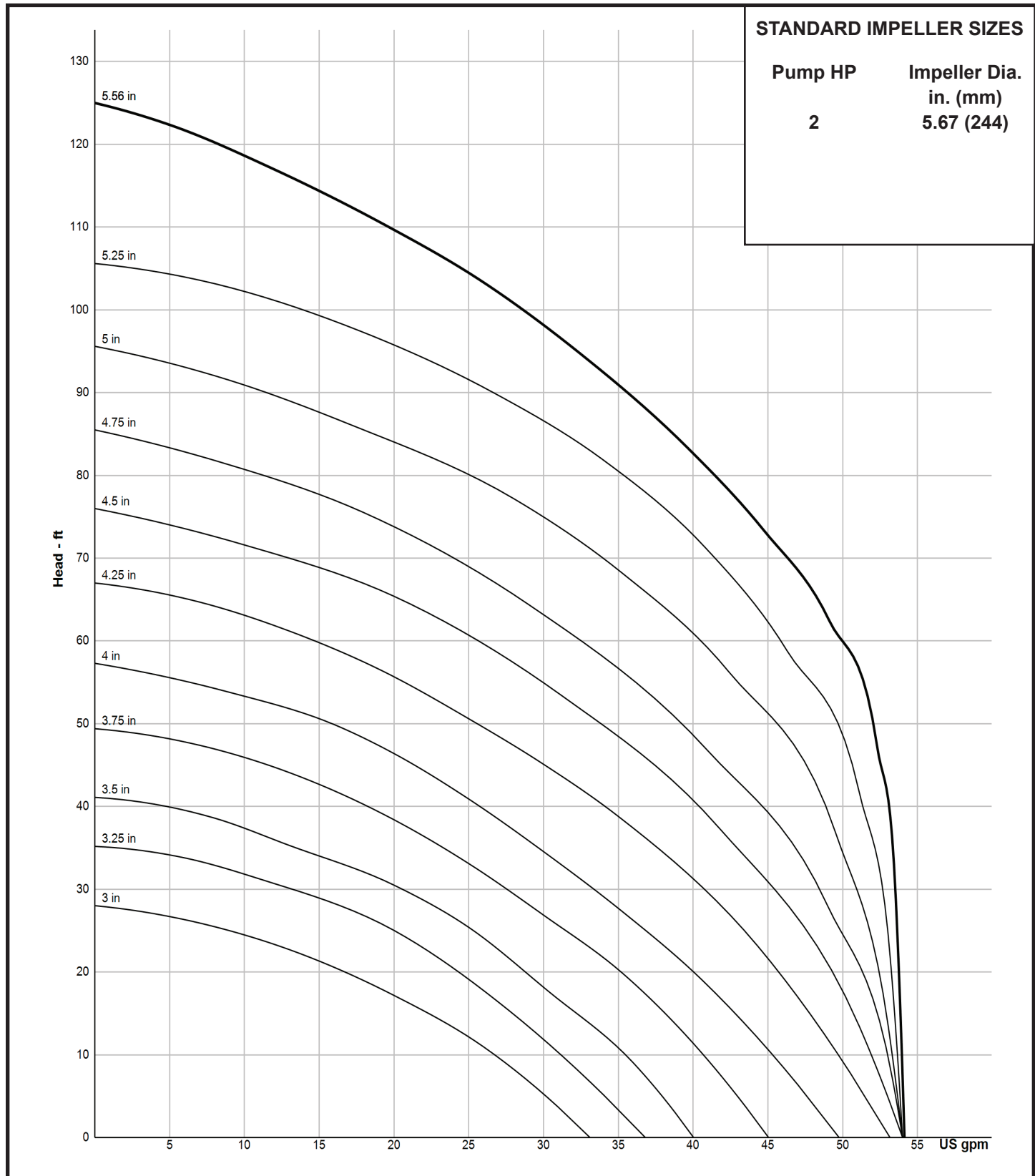
Series ZOGV

Performance Curve
2HP, 3450RPM, 60Hz

BARNES®

www.cranepumps.com

Submersible Grinder Pumps



SECTION 3B
PAGE 12
DATE 7/09

CRANE®

A Crane Co. Company

PUMPS & SYSTEMS

USA: (937) 778-8947 • Canada: (905) 457-6223 • International: (937) 615-3598