

# ZOGV – 2 HP

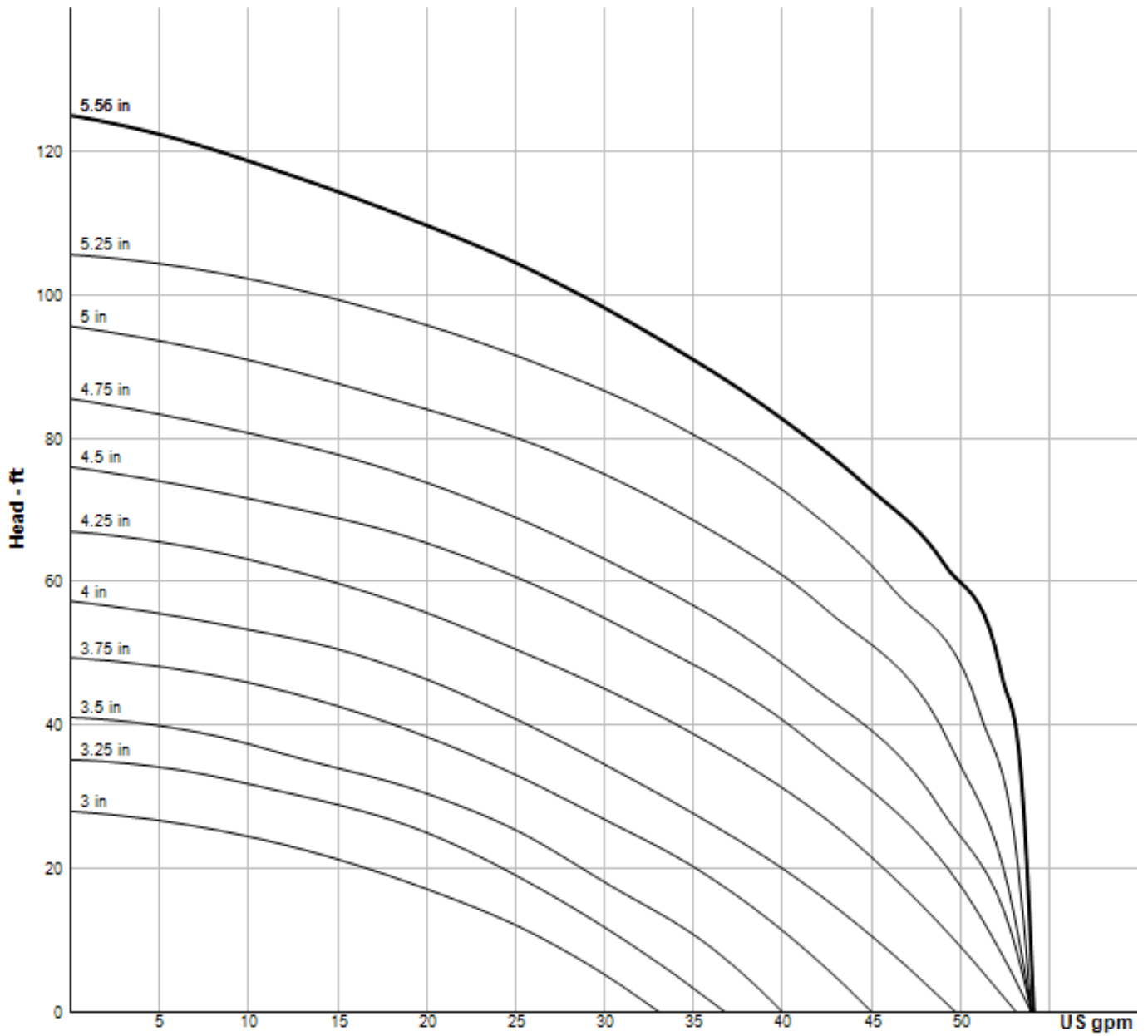
## Recessed Vortex



**Specifications**

<b>IMPELLER:</b>	<b>Design:</b> 12 Vane vortex, with pump out vanes on back side. Dynamically balanced, ISO G6.3.
	<b>Material:</b> Cast iron
<b>SEAL:</b>	<b>Design:</b> Single Mechanical
	<b>Material:</b>
	<ul style="list-style-type: none"> <li>• <b>Rotating Faces:</b> Silicon-carbide</li> <li>• <b>Stationary Faces:</b> Silicon carbide</li> <li>• <b>Elastomer:</b> Buna-N</li> <li>• <b>Hardware:</b> 300 Series stainless steel</li> </ul>
<b>CORD ENTRY:</b>	30 ft. (9.1 m) Std. Cord. Custom molded quick connect, for sealing and strain relief
<b>CORD:</b>	.CSA/UL Approved 12/3 Type SOW
<b>DISCHARGE:</b>	1-1/4" NPT, Vertical, Bolt-on Flange
<b>LIQUID TEMPERATURE:</b>	104°F (40°C) Continuous
<b>VOLUTE:</b>	Cast iron ASTM A-48, class 30
<b>MOTOR HOUSING:</b>	Cast iron ASTM A-48, class 30
<b>SEAL PLATE:</b>	Cast Iron ASTM A-48, Class 30
<b>CUTTER PLATE:</b>	Hardened 440C stainless steel Rockwell® C-55
<b>CUTTER:</b>	Hardened 440C stainless steel, Rockwell® C-55
<b>SHAFT:</b>	416 Stainless steel
<b>O-RINGS:</b>	Buna-N
<b>HARDWARE:</b>	300 Series stainless steel
<b>PAINT:</b>	Powder coat
<b>UPPER BEARING:</b>	<b>Design:</b> Single row, ball
	<b>Lubrication:</b> Oil
	<b>Load:</b> Radial
<b>LOWER BEARING:</b>	<b>Design:</b> Single row, ball
	<b>Lubrication:</b> Oil
	<b>Load:</b> Radial & thrust
<b>MOTOR:</b>	<b>Design:</b> NEMA L-single phase torque curve. oil-filled, squirrel cage induction
	<b>Insulation:</b> Class F
<b>SINGLE PHASE:</b> Capacitor start/capacitor run	

Curve



**Model Information**

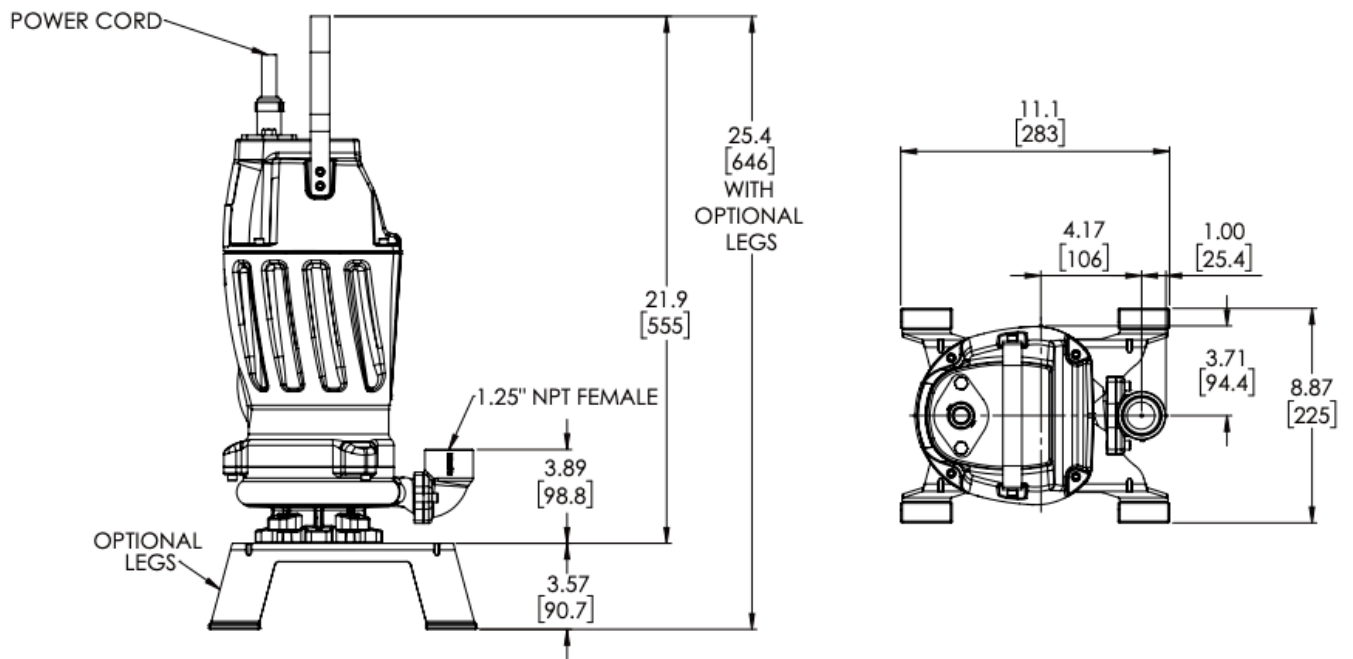
<b>MODEL NUMBER</b>	<b>ZOGV2072L</b>
<b>PART NUMBER</b>	145351
<b>HP</b>	2
<b>VOLTAGE</b>	208-240
<b>PHASE/HZ</b>	1/60
<b>RPM (NOMINAL)</b>	3450
<b>NEMA START CODE</b>	H
<b>FULL LOAD AMPS</b>	17.5-15.0
<b>LOCKED ROTOR AMPS</b>	53.8
<b>CORD SIZE</b>	12/3
<b>CORD TYPE</b>	SOW
<b>CORD O.D. ± 0.02 -0.5IN (MM)</b>	15.5



**IMPORTANT**

- 1.) "AUF" SERIES PUMPS NOT CSA LISTED
- 2.) PUMP MAY BE OPERATED "DRY" FOR EXTENDED PERIODS WITHOUT DAMAGE TO MOTOR AND/OR SEALS.
- 3.) INSTALLATIONS SUCH AS DECORATIVE FOUNTAINS OR WATER FEATURES PROVIDED FOR VISUAL ENJOYMENT MUST BE INSTALLED IN ACCORDANCE WITH THE NATIONAL ELECTRIC CODE ANSI/NFPA 70 AND/OR THE AUTHORITY HAVING JURISDICTION. THIS PUMP IS NOT INTENDED FOR USE IN SWIMMING POOLS, RECREATIONAL WATER PARKS, OR INSTALLATIONS IN WHICH HUMAN CONTACT WITH PUMPED MEDIA IS A COMMON OCCURRENCE.

**Drawing**



All dimensions are in inches (mm)