

# ZOGP – 2 HP

## Recessed Vortex



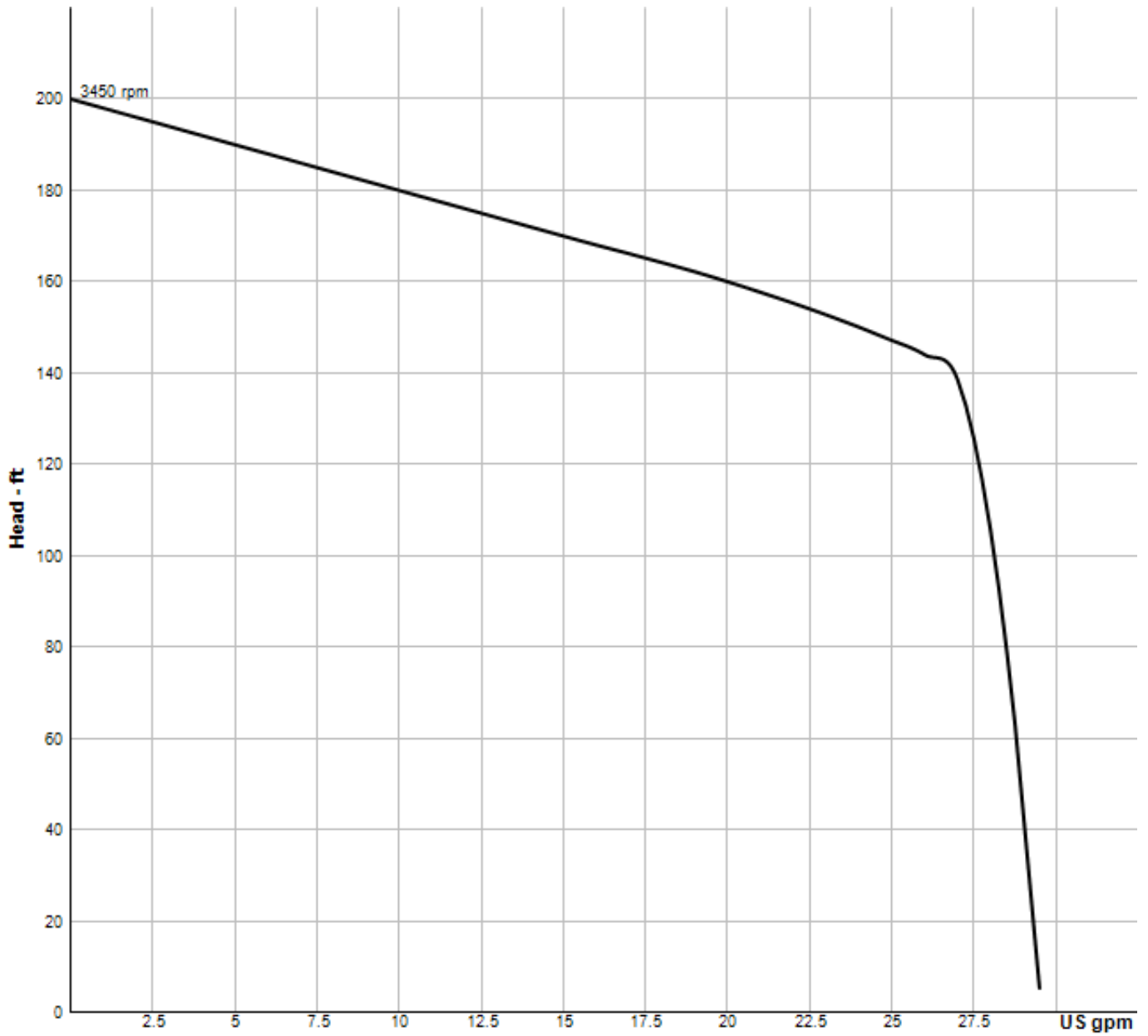
## Specifications

<b>IMPELLER:</b>	<b>Design:</b> 12 Vane vortex, with pump out vanes on back side. Dynamically balanced, ISO G6.3.
	<b>Material:</b> 85-5-5-5 Bronze
<b>SEAL:</b>	<b>Design:</b> Single Mechanical
	<b>Material:</b> <ul style="list-style-type: none"> <li>• <b>Rotating Faces:</b> Silicon-carbide</li> <li>• <b>Stationary Faces:</b> Silicon-carbide</li> <li>• <b>Elastomer:</b> Buna-N</li> <li>• <b>Hardware:</b> 300 Series stainless steel</li> </ul>
<b>CORD ENTRY:</b>	30 ft. (9.1 m) Std. Cord. Custom molded quick connect, for sealing and strain relief
<b>CORD:</b>	CSA/UL Approved, 12/4 Type SOW
<b>DISCHARGE:</b>	1 1/4" NPT
<b>LIQUID TEMPERATURE:</b>	104°F (40°C) Continuous
<b>VOLUTE:</b>	Cast iron ASTM A-48, class 30
<b>MOTOR HOUSING:</b>	Cast iron ASTM A-48, class 30
<b>SEAL PLATE:</b>	Cast Iron ASTM A-48, Class 30
<b>CUTTER PLATE:</b>	Hardened 440C stainless steel Rockwell® C-55
<b>CUTTER:</b>	Hardened 440C stainless steel, Rockwell® C-55
<b>SHAFT:</b>	416 Stainless steel
<b>O-RINGS:</b>	Buna-N
<b>HARDWARE:</b>	300 Series stainless steel
<b>PAINT:</b>	Powder coat
<b>UPPER BEARING:</b>	<b>Design:</b> Single row, ball
	<b>Lubrication:</b> Oil <b>Load:</b> Radial & thrust
<b>LOWER BEARING:</b>	<b>Design:</b> Single row, ball
	<b>Lubrication:</b> Oil <b>Load:</b> Radial & thrust
<b>UPPER BEARING:</b>	<b>Design:</b> Single row, ball
	<b>Lubrication:</b> Oil <b>Load:</b> Radial
<b>MOTOR:</b>	<b>Design:</b> NEMA L-Single phase torque curve, oil-filled, squirrel cage induction (includes overload protection in the motor), NEMA B three phase torque curve
	<b>Insulation:</b> Class F

**SINGLE PHASE:** Capacitor start/capacitor run

**THREE PHASE:** Tri-Voltage 208-240/480, requires overload protection to be included in control panel.

Curve



**Model Information**

MODEL NUMBER	ZOGP2072L	ZOGP2092L	ZOGP2042L
PART NUMBER	145027	145472	145473
HP	2	2	2
VOLTAGE	208-240	208-240	480
PHASE/HZ	1/60	3/60	3/60
RPM (NOMINAL)	3450	3450	3450
NEMA START CODE	H	H	H
FULL LOAD AMPS	17.5-15.0	8.5-8.2	4.6
LOCKED ROTOR AMPS	53.8	43.9	22.0
CORD SIZE	12/3	12/4	12/4
CORD TYPE	SOW	SOW	SOW
CORD O.D. ± 0.02 -0.5IN (MM)	0.61(15.5)	0.67(17.0)	0.67(17.0)



**IMPORTANT**

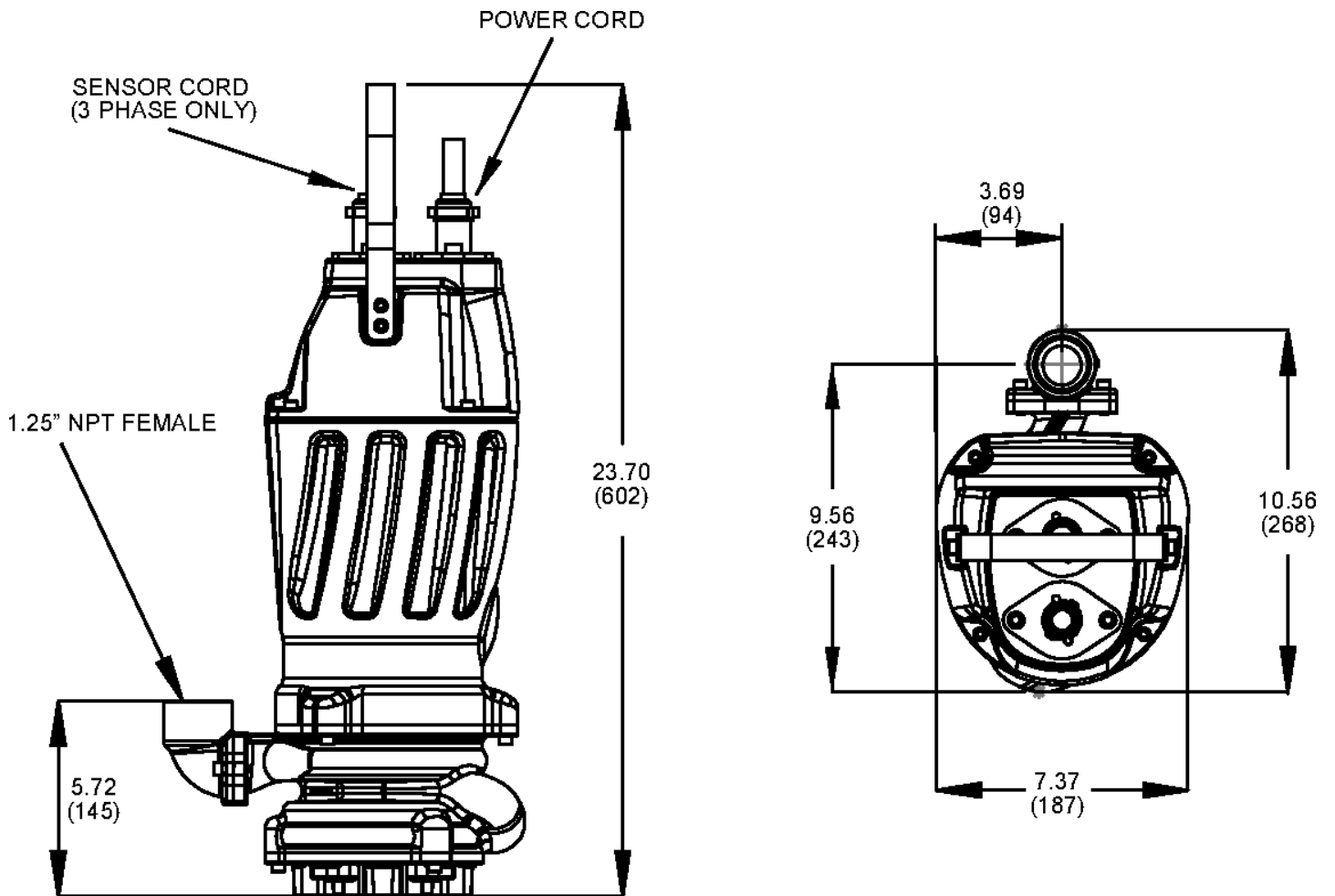
- 1.) PUMP MAY BE OPERATED "DRY" FOR EXTENDED PERIODS WITHOUT DAMAGE TO MOTOR AND/OR SEALS.
- 2.) INSTALLATIONS SUCH AS DECORATIVE FOUNTAINS OR WATER FEATURES PROVIDED FOR VISUAL ENJOYMENT MUST BE INSTALLED IN ACCORDANCE WITH THE NATIONAL ELECTRIC CODE ANSI/NFPA 70 AND/OR THE AUTHORITY HAVING JURISDICTION. THIS PUMP IS NOT INTENDED FOR USE IN SWIMMING POOLS, RECREATIONAL WATER PARKS, OR INSTALLATIONS IN WHICH HUMAN CONTACT WITH PUMPED MEDIA IS A COMMON OCCURRENCE.




**IMPORTANT**

FOR 3 PHASE MODELS: TEMPERATURE SENSOR CORD IS 14/3 SOW, 0.55 (14MM) ± .02 (.51MM) O.D.

Drawing



 All dimensions are in inches (mm)