

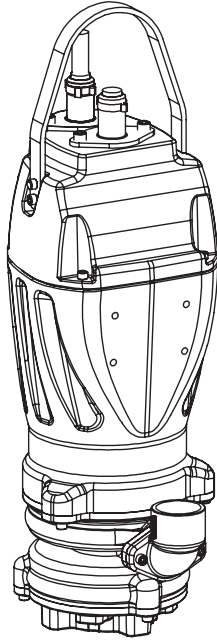
# Series ZOGP

Recessed Vortex

# BARNES®

www.cranepumps.com

## Submersible Grinder Pumps



### Specifications:

<b>DISCHARGE</b>	.....	1 1/4" NPT
<b>LIQUID TEMPERATURE</b>	.....	104°F (40°C) Continuous
<b>VOLUTE</b>	.....	Cast Iron ASTM A-48, Class 30
<b>MOTOR HOUSING</b>	.....	Cast Iron ASTM A-48, Class 30
<b>SEAL PLATE</b>	.....	Cast Iron ASTM A-48, Class 30
<b>IMPELLERS: Design</b>	.....	12 Vane, Vortex, With Pump Out Vanes On Back Side. Dynamically Balanced, ISO G6.3.
	<i>Material</i>	..... 85-5-5-5 Bronze
<b>CUTTER PLATE</b>	.....	Hardened 440C Stainless Steel Rockwell® C-55.
<b>CUTTER</b>	.....	Hardened 440C Stainless Steel, Rockwell® C-55.
<b>SHAFT</b>	.....	416 Stainless Steel
<b>SQUARE RINGS</b>	.....	Buna-N
<b>HARDWARE</b>	.....	300 Series Stainless Steel
<b>PAINT</b>	.....	Powder Coat
<b>SEAL:</b>		
	<i>Design</i>	..... Single Mechanical
	<i>Material</i>	..... Rotating Faces - Silicon-Carbide Stationary Faces - Silicon-Carbide Elastomer - Buna-N Hardware -300 Series Stainless
<b>CORD ENTRY</b>	.....	30 ft. (9.1 m) Std. Cord. Custom Molded Quick Connect, for Sealing and Strain Relief
<b>CORD</b>	<i>Manual</i>	..... CSA/UL Approved, 12/4 Type SOW
<b>UPPER BEARING:</b>		
	<i>Design</i>	..... Single Row, Ball
	<i>Lubrication</i>	..... Oil
	<i>Load</i>	..... Radial & Thrust
<b>LOWER BEARING:</b>		
	<i>Design</i>	..... Single Row, Ball
	<i>Lubrication</i>	..... Oil
	<i>Load</i>	..... Radial & Thrust
<b>MOTOR:</b>		
	<i>Design</i>	..... NEMA L-Single Phase Torque Curve, Oil-Filled, Squirrel Cage Induction (includes overload protection in the motor), NEMA B Three Phase Torque Curve.
	<i>Insulation</i>	..... Class F
<b>SINGLE PHASE</b>	.....	Capacitor Start/Capacitor Run.
<b>THREE PHASE</b>	.....	Tri-Voltage 208-240/480, requires overload protection to be included in control panel.
<b>OPTIONAL EQUIPMENT</b>	.....	Cord Length, Moveable Fitting
<b>RECOMMENDED:</b>		
	<i>Accessories</i>	..... Check Valve Control Panel

**Series: ZOGP**  
**2HP, 3450RPM, 60Hz**

# RAZOR

Sample Specifications: Section 3 Page 10.

This product may be covered by one or more of the following patents and other patent(s) pending:  
Patent Pending

### DESCRIPTION:

THE GRINDER PUMP IS DESIGNED TO REDUCE DOMESTIC SEWAGE TO A FINELY GROUND SLURRY.



**WARNING:**  
CANCER AND REPRODUCTIVE HARM -  
WWW.P65WARNINGS.CA.GOV



SECTION 3B  
PAGE 20  
DATE 8/20

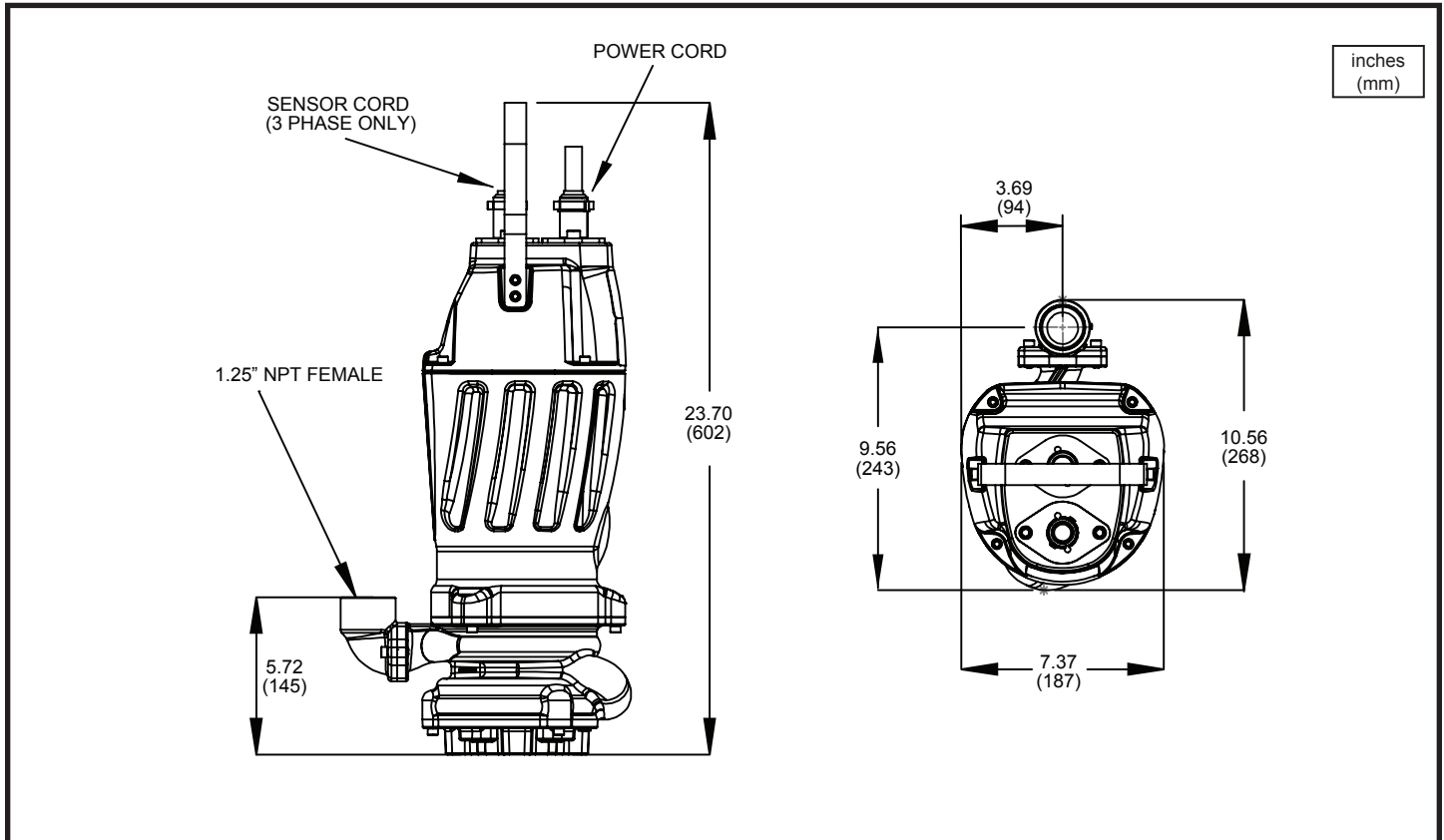
# CRANE®

A Crane Co. Company

## PUMPS & SYSTEMS

USA: (937) 778-8947 • Canada: (905) 457-6223 • International: (937) 615-3598

### Submersible Grinder Pumps



MODEL NO	PART NO	HP	VOLT	PH/Hz	RPM (Nom)	NEMA START CODE	FULL LOAD AMPS	LOCKED ROTOR AMPS	CORD SIZE	CORD TYPE	CORD O.D. ± .02 (.5) in (mm)
ZOGP2072L	145027	2	208-240	1/60	3450	H	17.5-15.0	53.8	12/3	SOW	.61(15.5)
ZOGP2082L	145472	2	208-240	3/60	3450	H	8.5-8.2	43.9	12/4	SOW	.67(17.0)
ZOGP2042L	145473	2	480	3/60	3450	H	4.6	22.0	12/4	SOW	.67(17.0)

FOR 3 PHASE MODELS: TEMPERATURE SENSOR CORD IS 14/3 SOW, 0.55 (14MM) ± .02 (.51MM) O.D.

**IMPORTANT !**

- 1.) PUMP MAY BE OPERATED "DRY" FOR EXTENDED PERIODS WITHOUT DAMAGE TO MOTOR AND/OR SEALS.
- 2.) INSTALLATIONS SUCH AS DECORATIVE FOUNTAINS OR WATER FEATURES PROVIDED FOR VISUAL ENJOYMENT MUST BE INSTALLED IN ACCORDANCE WITH THE NATIONAL ELECTRIC CODE ANSI/NFPA 70 AND/OR THE AUTHORITY HAVING JURISDICTION. THIS PUMP IS NOT INTENDED FOR USE IN SWIMMING POOLS, RECREATIONAL WATER PARKS, OR INSTALLATIONS IN WHICH HUMAN CONTACT WITH PUMPED MEDIA IS A COMMON OCCURRENCE.

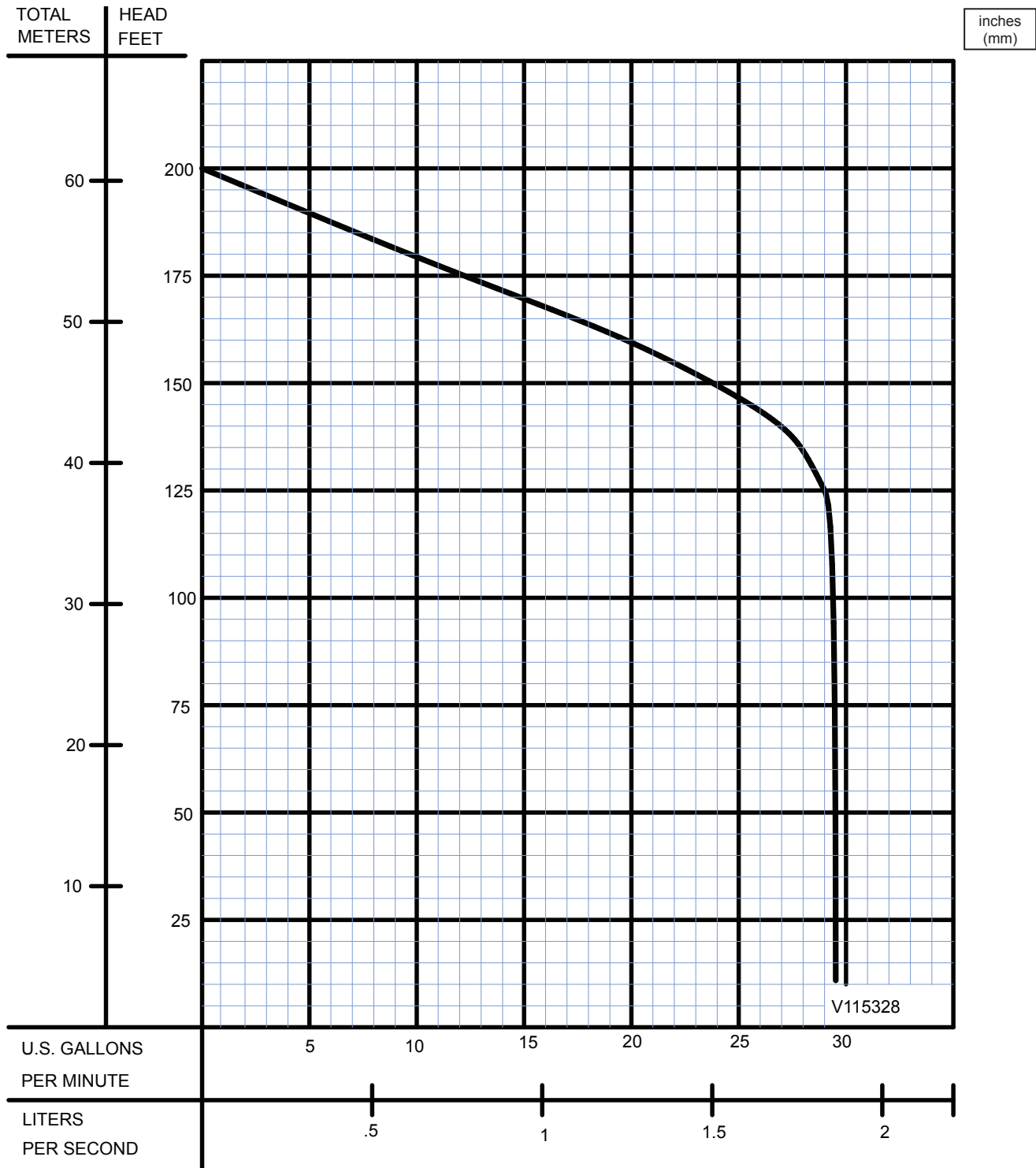
# Series ZOGP

Performance Curve  
2HP, 3450RPM, 60Hz, High-Flow

# BARNES®

www.cranepumps.com

## Submersible Grinder Pumps



Testing is performed with water, specific gravity 1.0 @ 68° F @ (20°C), other fluids may vary performance

SECTION 3B  
PAGE 22  
DATE 8/20

# CRANE®

A Crane Co. Company

## PUMPS & SYSTEMS

USA: (937) 778-8947 • Canada: (905) 457-6223 • International: (937) 615-3598