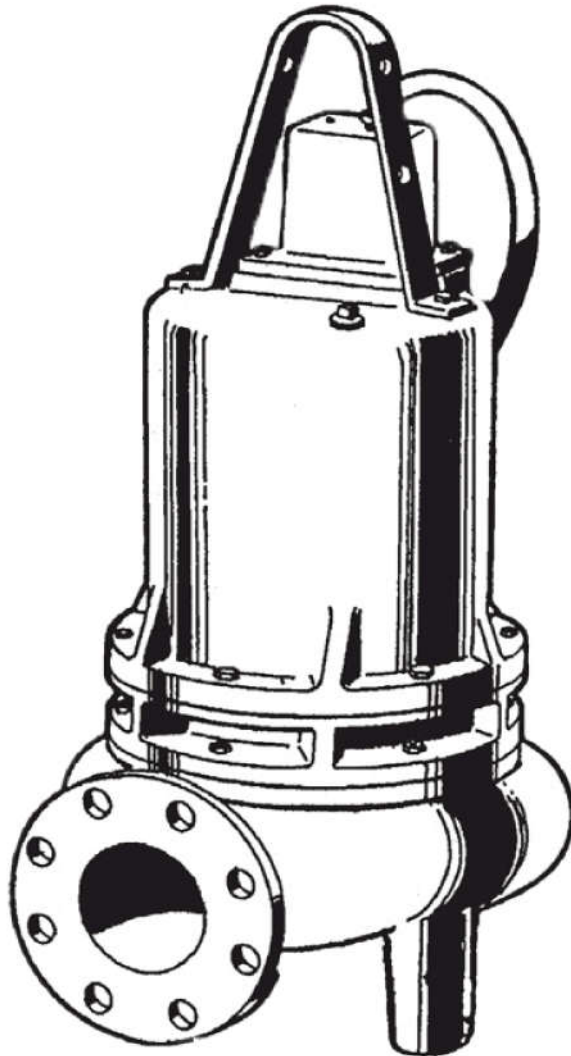


4SEV-DS – 7.5 HP

3" Spherical Solids Handling - Vortex

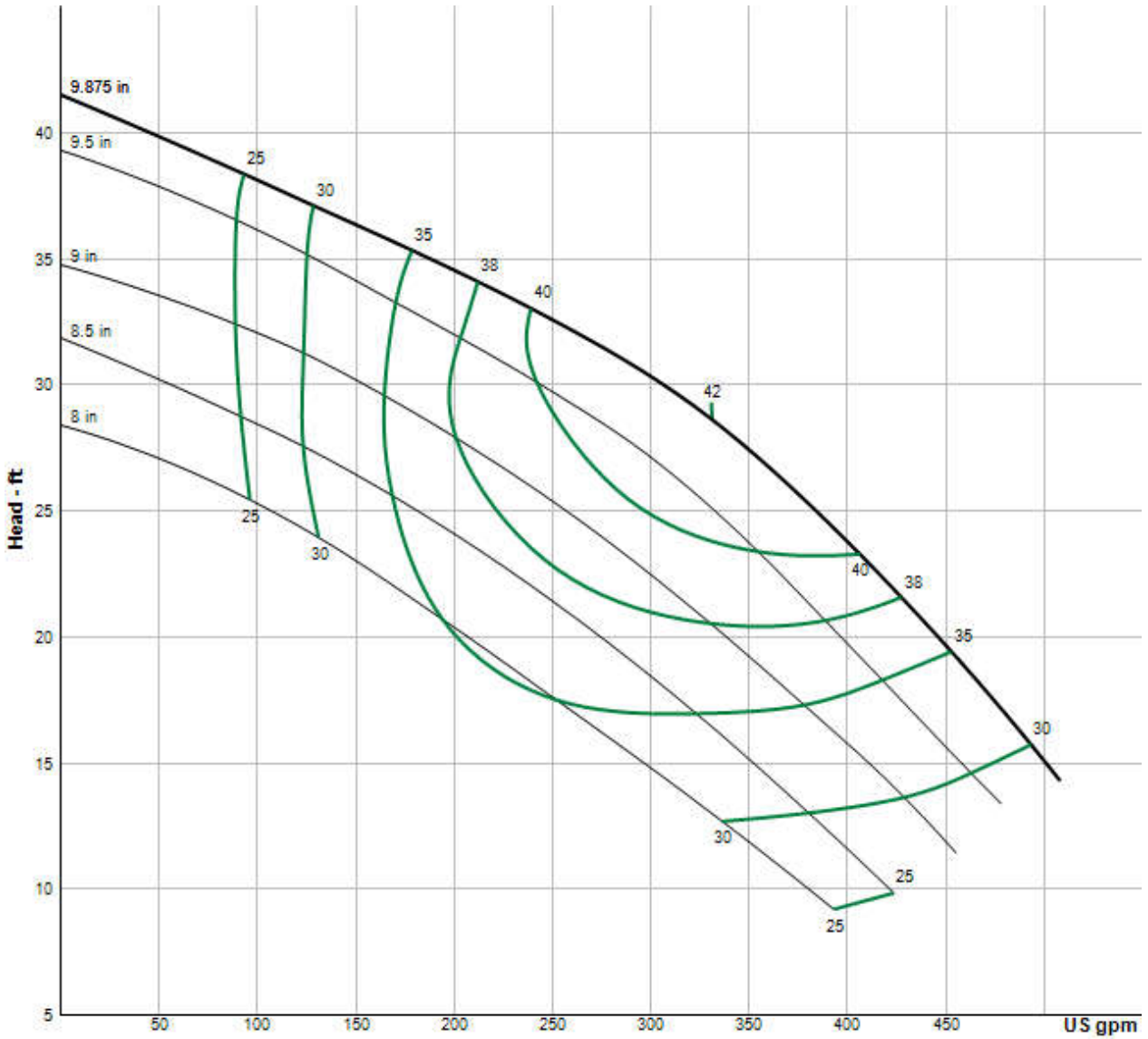


Specifications

DISCHARGE:	4" 125lb., Horizontal flange
SPEED:	1150 OR 1750 RPM
IMPELLER:	<ul style="list-style-type: none"> • Design: Vortex, 8 vane with pump out vanes on back side, Dynamically balanced, ISO G6.3 • Material: Cast iron ASTM A-48, class 30
CORD ENTRY:	40 ft. (12.1 m) Cord. Epoxy sealed housing with secondary pressure grommet for sealing and strain relief
MOTOR:	<ul style="list-style-type: none"> • Design: NEMA L- single phase, NEMA B - three phase torque curve, oil filled, squirrel cage induction • Winding: Class F, class H rated magnet wire • Service Factor: 1.15
SEAL:	<ul style="list-style-type: none"> • Design: Double mechanical, oil filled pressure equalized reservoir • Material: Carbon/Ceramic/Buna-N
LIQUID TEMPERATURE:	104°F (40°C) Continuous
VOLUTE:	Cast iron ASTM A-48, class 30
MOTOR HOUSING	Cast iron ASTM A-48, class 30
SEAL PLATE:	Cast iron ASTM A-48, class 30
SHAFT:	416 Stainless steel
SQUARE RINGS:	Buna-N
HARDWARE:	300 Series stainless steel
PAINT:	Air dry enamel (epoxy optional)
UPPER BEARING:	<p>Upper Bearing:</p> <ul style="list-style-type: none"> • Design: Single row, ball, oil lubricated • Load: Radial <p>Lower Bearing:</p> <ul style="list-style-type: none"> • Design: Single row, ball, oil lubricated • Load: Radial
DIAPHRAGM	Buna-N
SINGLE PHASE:	Capacitor start/capacitor run. Requires Barnes starter/panel which includes capacitors and overload protection
THREE PHASE:	Dual voltage motor 230/460/575. Requires overload protection to be included in control panel, VFD suitable (1750 RPM)
THREE PHASE:	Tri Voltage motor 200-230/460. Requires overload protection to be included in control panel, VFD suitable (1150 RPM)
MOISTURE SENSOR	Normally open (N/O), requires relay in control panel
TEMPERATURE SENSOR:	Normally Closed (N/C), Requires relay in control panel. For three phase units ONLY

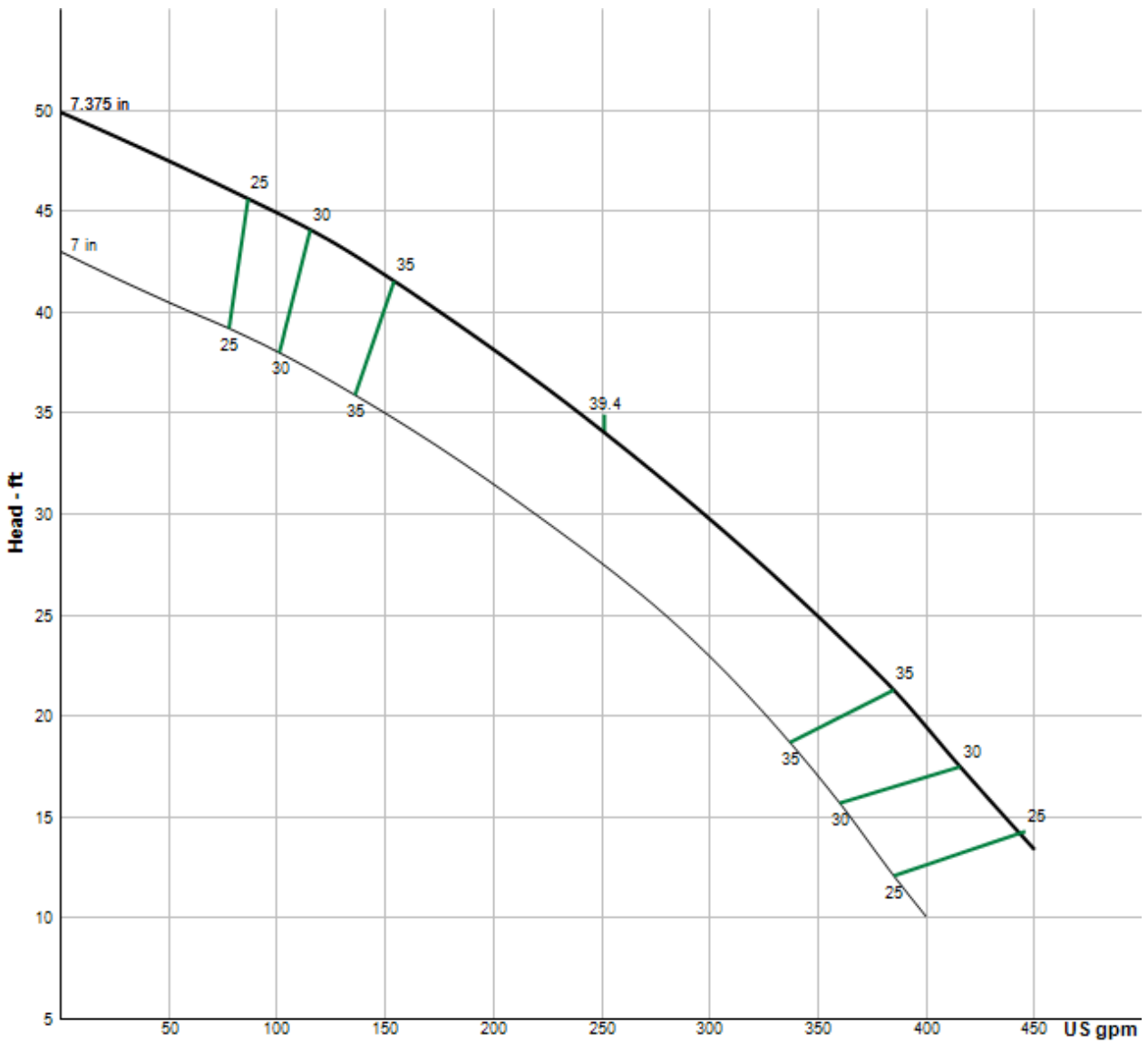
Curves

1150 RPM



Pump HP	Impeller Dia in. (mm)
4.5	8.50 (216)
7.5	9.88 (251)

1750 RPM

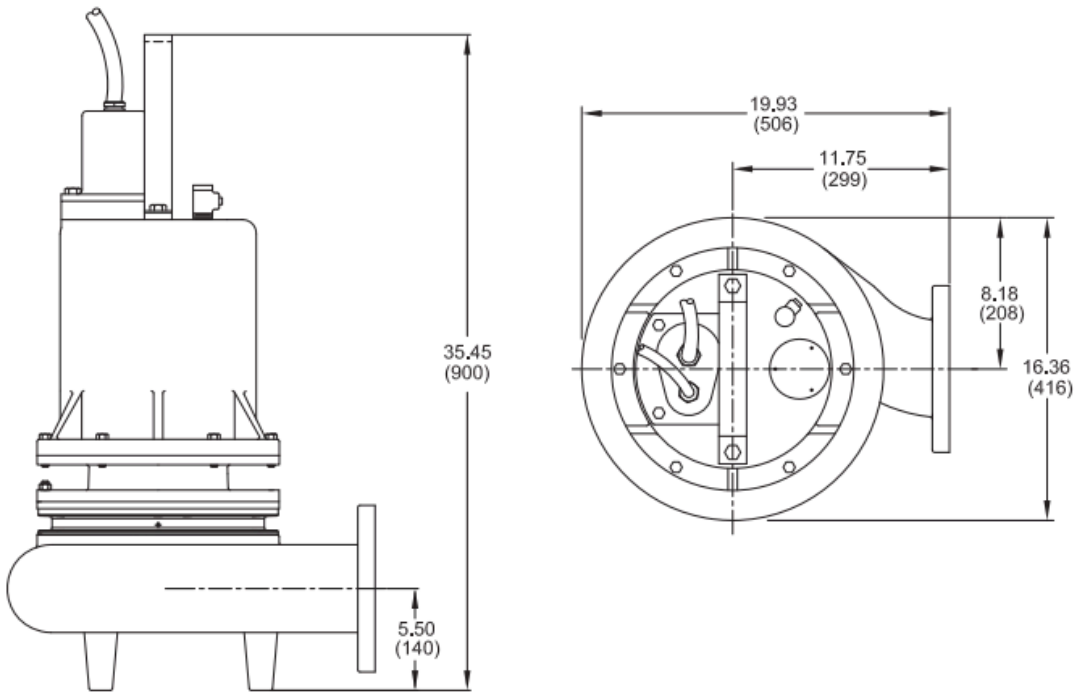


Pump HP	Impeller Dia in. (mm)
4.5	7.00 (178)
7.5	7.38 (187)
11.3	8.38 (213)
15.0	9.88 (251)

Model Information

PUMP MODEL NUMBER	4SEV7596DS	4SEV7546DS	4SEV7556DS	4SEV7524DS	4SEV7564DS	4SEV7534DS	4SEV7544DS	4SEV7554DS
PART NUMBER	142112	142113	142114	140231	140232	140233	140234	140235
HP	7.5	7.5	7.5	7.5	7.5	7.5	7.5	7.5
VOLTAGE/PHASE	200-230/3	460/3	575/3	230/1	200/3	230/3	460/3	575/3
HZ	60	60	60	60	60	60	60	60
RPM (NOMINAL)	1150	1150	1150	1750	1750	1750	1750	1750
NEMA START CODE	B/E	E	E	A	B	D	D	D
FULL LOAD AMPS	25.3/22.0	11	8.8	39	30.8	26.8	13.4	10.7
LOCKED ROTOR AMPS	74.8/86.0	43	34.4	96	69.5	80	40	32
CORD SIZE	8/4	8/4	10/4	6/4	8/4	8/4	8/4	10/4
CORD TYPE	SOW	SOW	SOW	SOW	SOW	SOW	SOW	SOW
CORD O.D INCH (MM)	0.830 (21)	0.830 (21)	0.750 (19.1)	1.06 (27)	0.830 (21)	0.830 (21)	0.830 (21)	0.750 (19.1)

Drawing



All dimensions are in inches (mm)