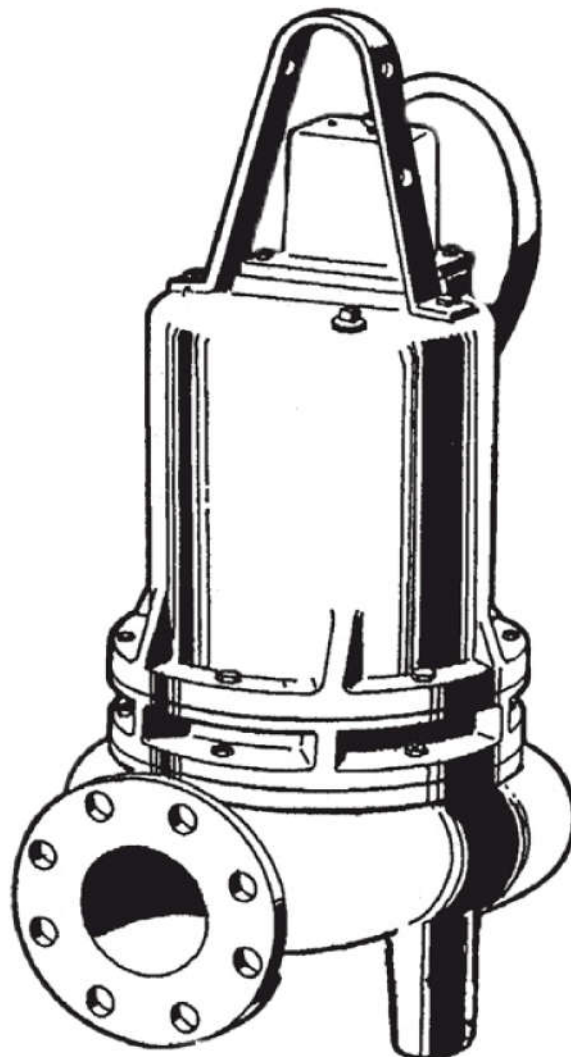


4SEV-DS – 15 HP

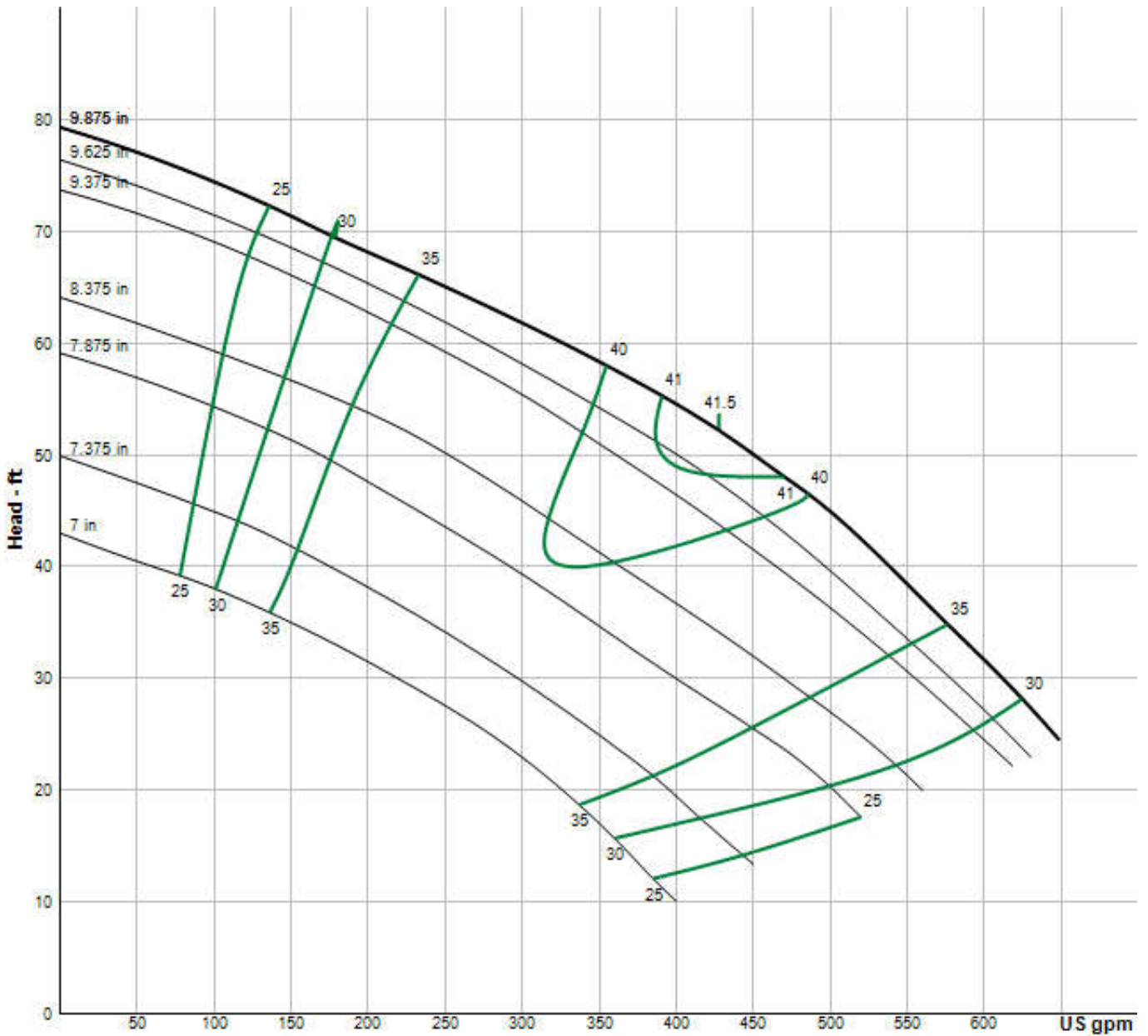
3" Spherical Solids Handling - Vortex



Specifications

DISCHARGE:	4" 125lb., Horizontal flange
SPEED:	1750 RPM
IMPELLER:	<ul style="list-style-type: none"> • Design: Vortex, 8 vane with pump out vanes on back side, Dynamically balanced, ISO G6.3 • Material: Cast iron ASTM A-48, class 30
CORD ENTRY:	40 ft. (12.1 m) Cord. Epoxy sealed housing with secondary pressure grommet for sealing and strain relief
MOTOR:	<ul style="list-style-type: none"> • Design: NEMA L- single phase, NEMA B - three phase torque curve, oil filled, squirrel cage induction • Winding: Class F, class H rated magnet wire • Service Factor: 1.15
SEAL:	<ul style="list-style-type: none"> • Design: Double mechanical, oil filled pressure equalized reservoir • Material: Carbon/Ceramic/Buna-N
LIQUID TEMPERATURE:	104°F (40°C) Continuous
VOLUTE:	Cast iron ASTM A-48, class 30
MOTOR HOUSING	Cast iron ASTM A-48, class 30
SEAL PLATE:	Cast iron ASTM A-48, class 30
SHAFT:	416 Stainless steel
SQUARE RINGS:	Buna-N
HARDWARE:	300 Series stainless steel
PAINT:	Air dry enamel (epoxy optional)
UPPER BEARING:	<p>Upper Bearing:</p> <ul style="list-style-type: none"> • Design: Single row, ball, oil lubricated • Load: Radial <p>Lower Bearing:</p> <ul style="list-style-type: none"> • Design: Single row, ball, oil lubricated • Load: Radial
DIAPHRAGM	Buna-N
SINGLE PHASE:	Capacitor start/capacitor run. Requires Barnes starter/panel which includes capacitors and overload protection
THREE PHASE:	Dual voltage motor 230/460/575. Requires overload protection to be included in control panel, VFD suitable
MOISTURE SENSOR	Normally open (N/O), requires relay in control panel
TEMPERATURE SENSOR:	Normally Closed (N/C), Requires relay in control panel. For three phase units ONLY

Curves

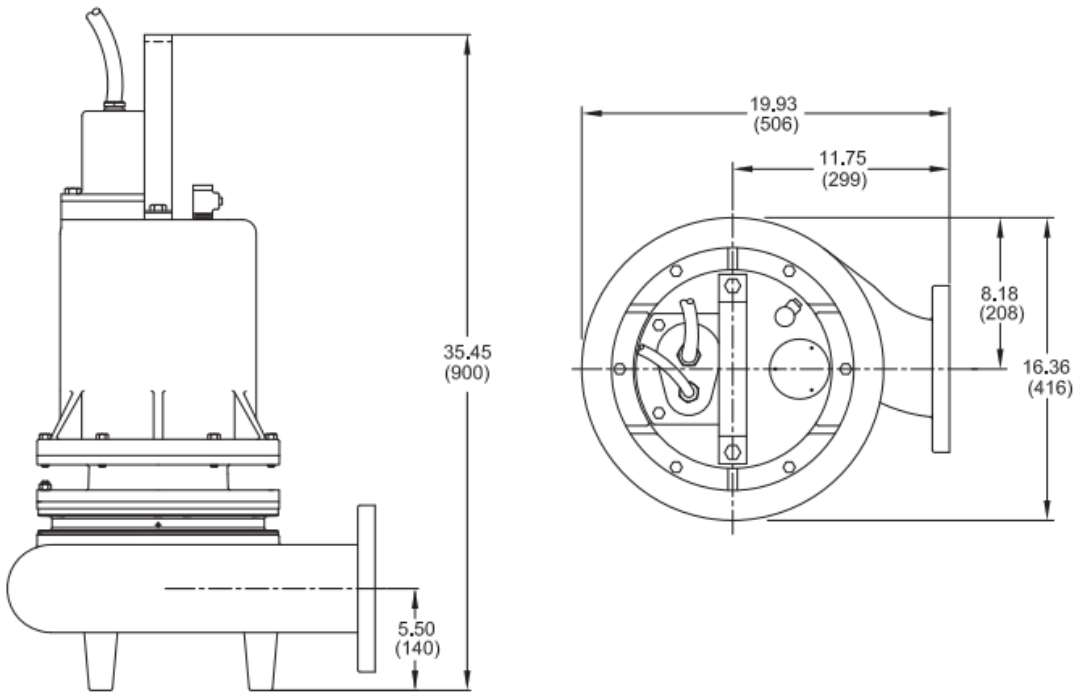


Pump HP	Impeller Dia in. (mm)
4.5	7.00 (178)
7.5	7.38 (187)
11.3	8.38 (213)
15.0	9.88 (251)

Model Information

PUMP MODEL NUMBER	4SEV15034DS	4SEV15044DS	4SEV15054DS
PART NUMBER	140240	140241	140242
HP	15	15	15
VOLTAGE/PHASE	230/3	460/3	575/3
HZ	60	60	60
RPM (NOMINAL)	1750	1750	1750
NEMA START CODE	D	D	D
FULL LOAD AMPS	38	19	15.2
LOCKED ROTOR AMPS	160	80	64
CORD SIZE	6/4	6/4	8/4
CORD TYPE	SOW	SOW	SOW
CORD O.D INCH (MM)	1.06 (27)	1.06 (27)	0.830 (21)

Drawing



All dimensions are in inches (mm)