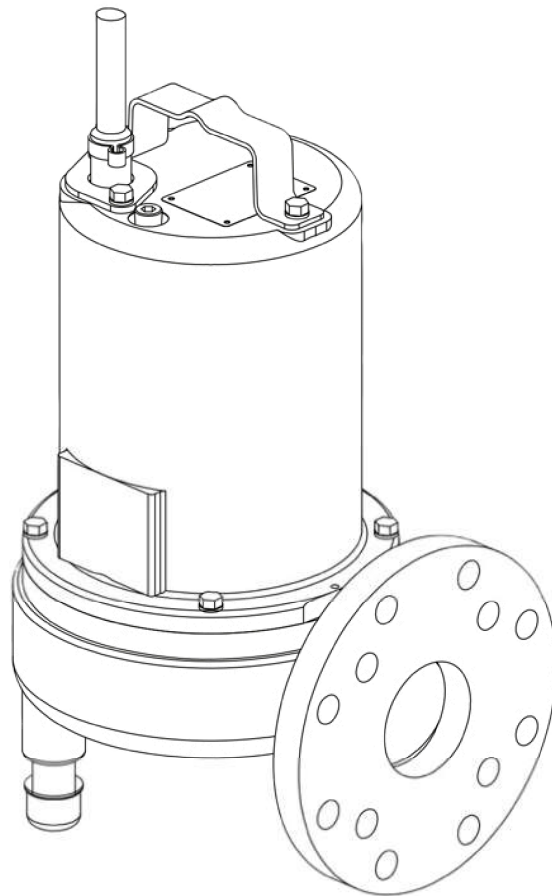


4SE-L – .9 HP

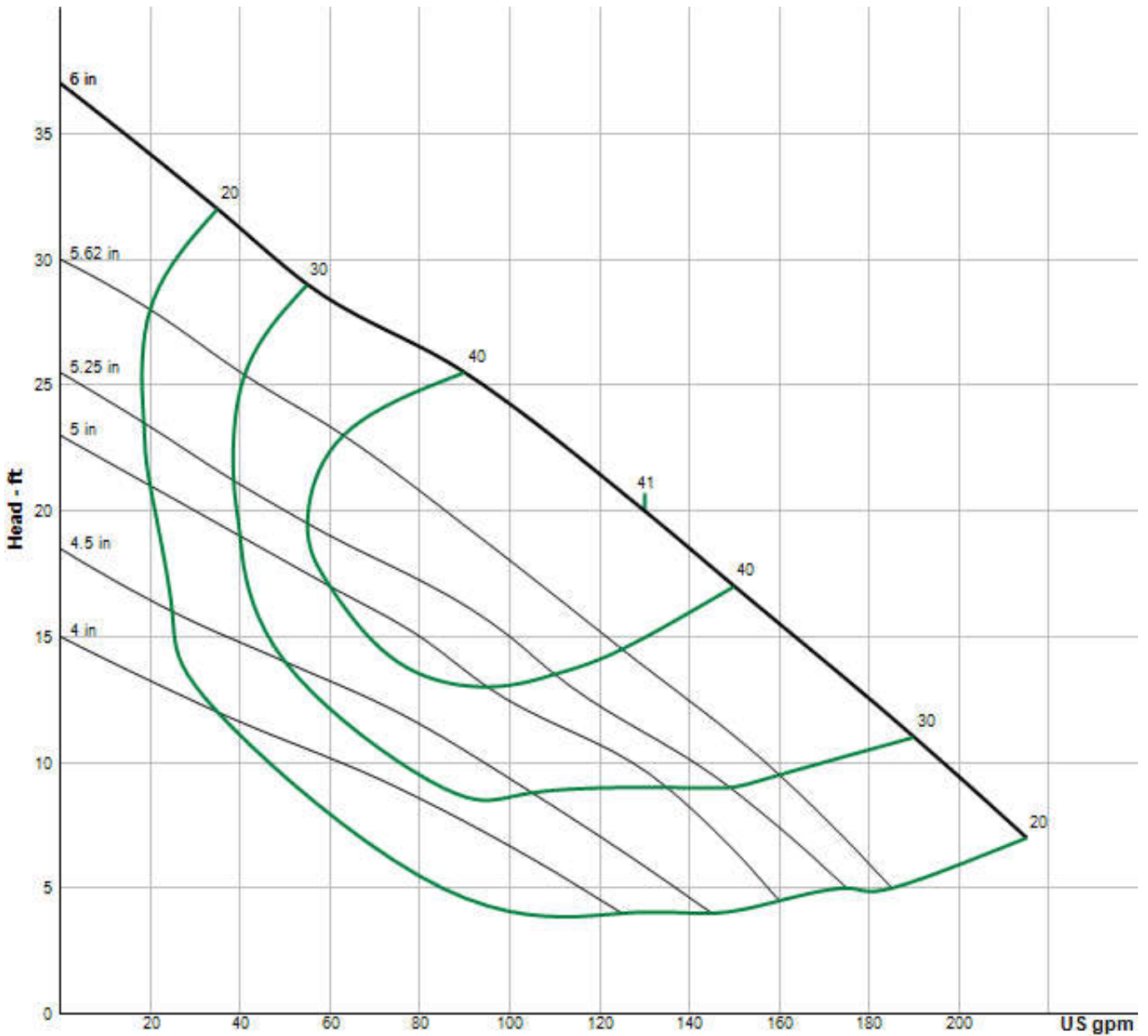
2" Spherical Solids Handling




Specifications

DISCHARGE:	3" & 4" 125lb., Horizontal flange
SPEED:	1750 RPM (Nominal)
IMPELLER:	<ul style="list-style-type: none"> • Design: 2 Vane, open with pump out vanes on back side, dynamically balanced, ISO G6.3 • Material: Cast iron ASTM A-48, class 30
CORD ENTRY:	30 ft. (9.1m) Quick disconnect cord with plug on 120Volt, custom molded for sealing and strain relief
MOTOR:	<ul style="list-style-type: none"> • Design: NEMA L- single phase, NEMA B - three phase torque curve, oil filled, squirrel cage induction • Insulation: Class B
SEAL:	<ul style="list-style-type: none"> • Design: Single mechanical • Material: Carbon/Ceramic/Buna-N Hardware - 300 series stainless
LIQUID TEMPERATURE:	104°F (40°C) Continuous
VOLUTE:	Cast iron ASTM A-48, class 30
MOTOR HOUSING	Cast iron ASTM A-48, class 30
SEAL PLATE:	Cast iron ASTM A-48, class 30
SHAFT:	416 Stainless steel
SQUARE RINGS:	Buna-N
HARDWARE:	300 Series stainless steel
PAINT:	Air dry enamel (epoxy optional)
UPPER BEARING:	<p>Upper Bearing:</p> <ul style="list-style-type: none"> • Design: Single row, ball, oil lubricated • Load: Radial
LOWER BEARING:	<p>Lower Bearing:</p> <ul style="list-style-type: none"> • Design: Single row, ball, oil lubricated • Load: Radial
SINGLE PHASE	Permanent Split Capacitor (PSC) includes overload protection in motor
THREE PHASE	200-240/480 is Tri Voltage motor. 600V Requires Overload Protection to be included in Control Panel

Curves



Pump HP	Impeller Dia in. (mm)
0.9	5.25 (133)
1.4	5.62 (143)
1.9	6.00 (152)

 Testing is performed with water, specific gravity 1.0 @ 68° F @ (20°C), other fluids may vary performance

Model Information

PUMP MODEL NUMBER	4SE914L	4SE924L	4SE994L	4SE944L	4SE954L
PART NUMBER	105014	105015	105016	105017	105018
HP	0.9	0.9	0.9	0.9	0.9
VOLTAGE/PHASE	200/230/3	200/230/3	200-240/3	480/3	600/3
HZ	60	60	60	60	60
RPM (NOMINAL)	1750	1750	1750	1750	1750
NEMA START CODE	A	C	C/F	E	C
INSULATION CLASS	B	B	B	B	B
FULL LOAD AMPS	11.6	5.9	3.2/3.0	1.5	1
LOCKED ROTOR AMPS	21.3	14.9	9.8/11.0	5.3	3.4
CORD SIZE	14/3	14/3	14/4	14/4	14/4
CORD TYPE	SJTOW	SOW	SOW	SOW	SOW
CORD O.D INCH (MM)	0.373 (9.5)	0.530 (13.5)	0.570 (14.5)	0.570 (14.5)	0.570 (14.5)

 **OPTIONAL** - TEMPERATURE SENSOR CORD FOR 3 PHASE MODELS IS 14/3 SOW, 0.530 (13.5MM) O.D

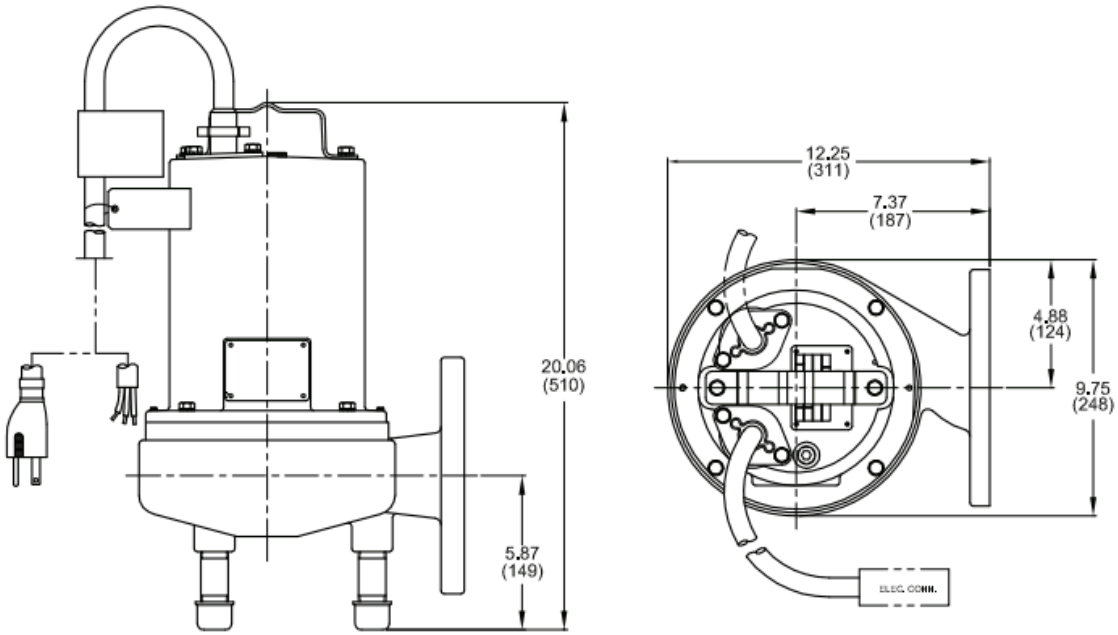


Important

IMPORTANT !

- 1.) PUMP MAY BE OPERATED "DRY" FOR EXTENDED PERIODS WITHOUT DAMAGE TO MOTOR AND/OR SEALS.
- 2.) INSTALLATIONS SUCH AS DECORATIVE FOUNTAINS OR WATER FEATURES PROVIDED FOR VISUAL ENJOYMENT MUST BE INSTALLED IN ACCORDANCE WITH THE NATIONAL ELECTRIC CODE ANSI/NFPA 70 AND/OR THE AUTHORITY HAVING JURISDICTION. THIS PUMP IS NOT INTENDED FOR USE IN SWIMMING POOLS, RECREATIONAL WATER PARKS, OR INSTALLATIONS IN WHICH HUMAN CONTACT WITH PUMPED MEDIA IS A COMMON OCCURRENCE.

Drawing



All dimensions are in inches (mm)