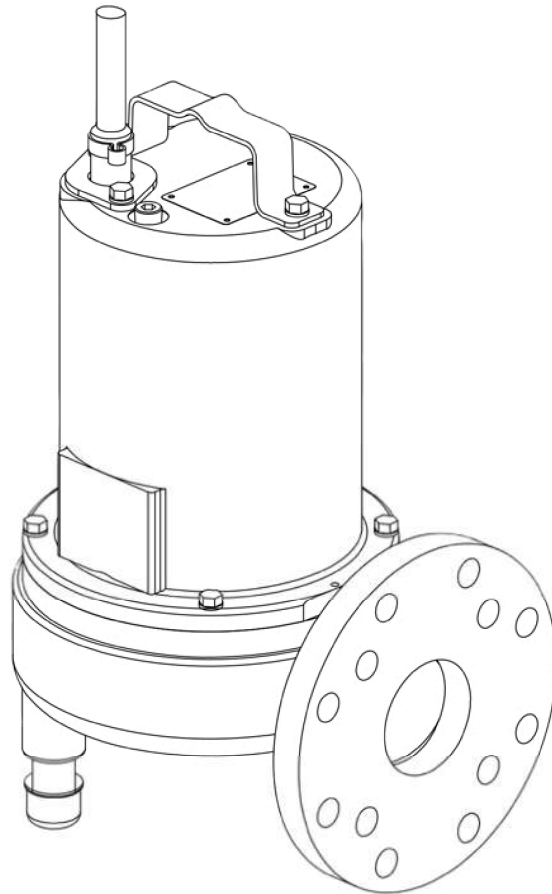


4SE-L – 2.8 HP

3" Spherical Solids Handling

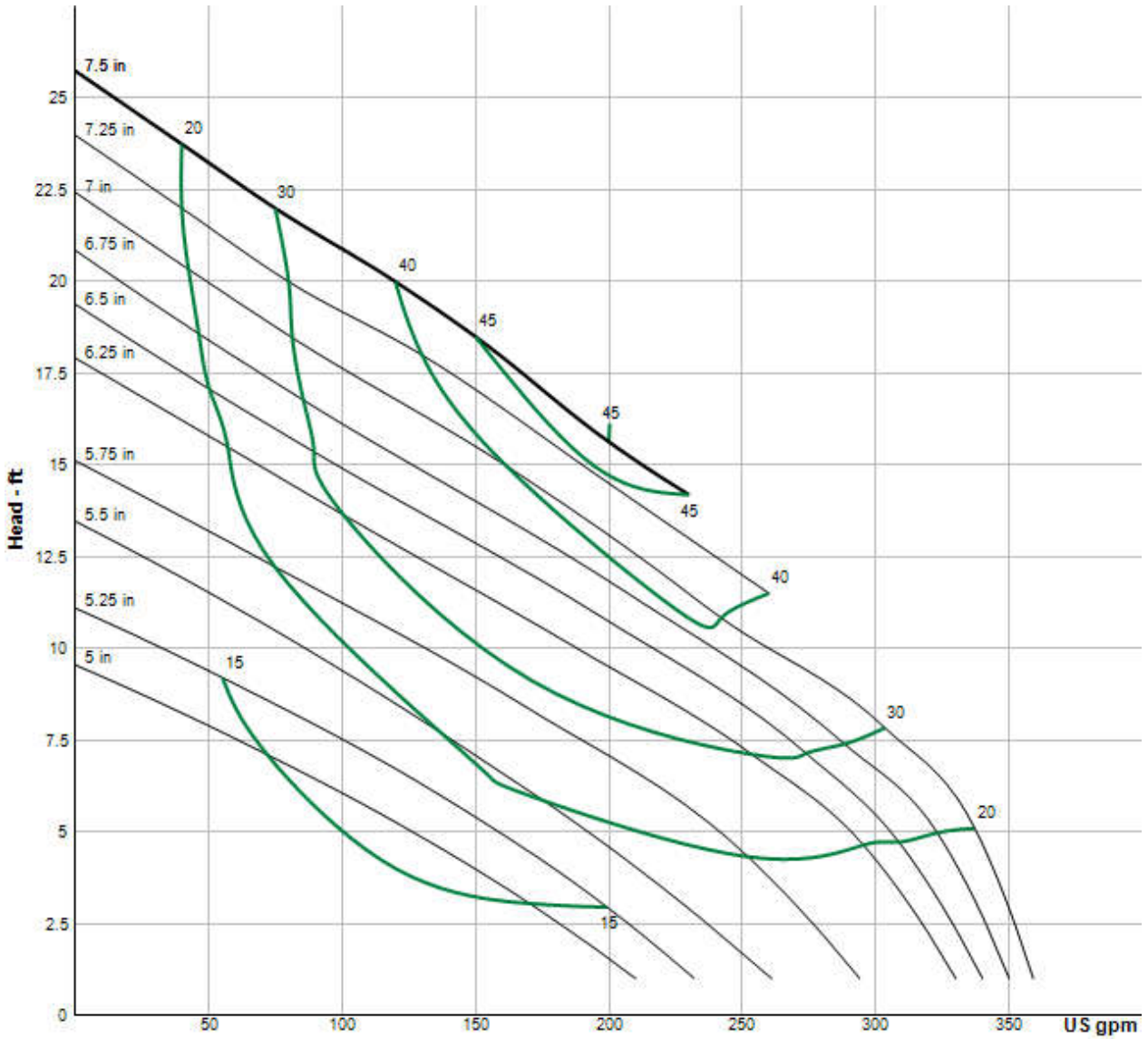


Specifications

| | |
|----------------------------|---|
| DISCHARGE: | 4" 125lb., Horizontal flange |
| SPEED: | 1150 OR 1750 RPM |
| IMPELLER: | <ul style="list-style-type: none"> • Design: 2 Vane, semi-open with pump out vanes on back side, dynamically balanced, ISO G6.3 • Material: Cast iron ASTM A-48, class 30 |
| CORD ENTRY: | 30 ft. (9.1 m) Cord. Quick connect custom molded for sealing and strain relief |
| MOTOR: | <ul style="list-style-type: none"> • Design: NEMA L- single phase, NEMA B - three phase torque curve, oil filled, squirrel cage induction • Winding: Class B, class H rated magnet wire, class F on selected models • Service Factor: 1.15 |
| SEAL: | <ul style="list-style-type: none"> • Design: Double mechanical, oil filled pressure equalized reservoir • Material: Carbon/Ceramic/Buna-N |
| LIQUID TEMPERATURE: | 104°F (40°C) Continuous |
| VOLUTE: | Cast iron ASTM A-48, class 30 |
| MOTOR HOUSING | Cast iron ASTM A-48, class 30 |
| SEAL PLATE: | Cast iron ASTM A-48, class 30 |
| SHAFT: | 416 Stainless steel |
| SQUARE RINGS: | Buna-N |
| HARDWARE: | 300 Series stainless steel |
| PAINT: | Air dry enamel (epoxy optional) |
| UPPER BEARING: | <p>Upper Bearing:</p> <ul style="list-style-type: none"> • Design: Single row, ball, oil lubricated • Load: Radial <p>Lower Bearing:</p> <ul style="list-style-type: none"> • Design: Single row, ball, oil lubricated • Load: Radial |
| DIAPHRAGM | Buna-N |
| SINGLE PHASE | Permanent Split Capacitor (PSC) includes overload protection in motor |
| THREE PHASE | 200-240/480 is Tri Voltage motor. 600V Requires Overload Protection to be included in Control Panel |
| MOISTURE SENSOR | Normally open (N/O), requires relay in control panel |
| TEMPERATURE SENSOR: | Normally Closed (N/C), Requires relay in control panel. For three phase units ONLY |

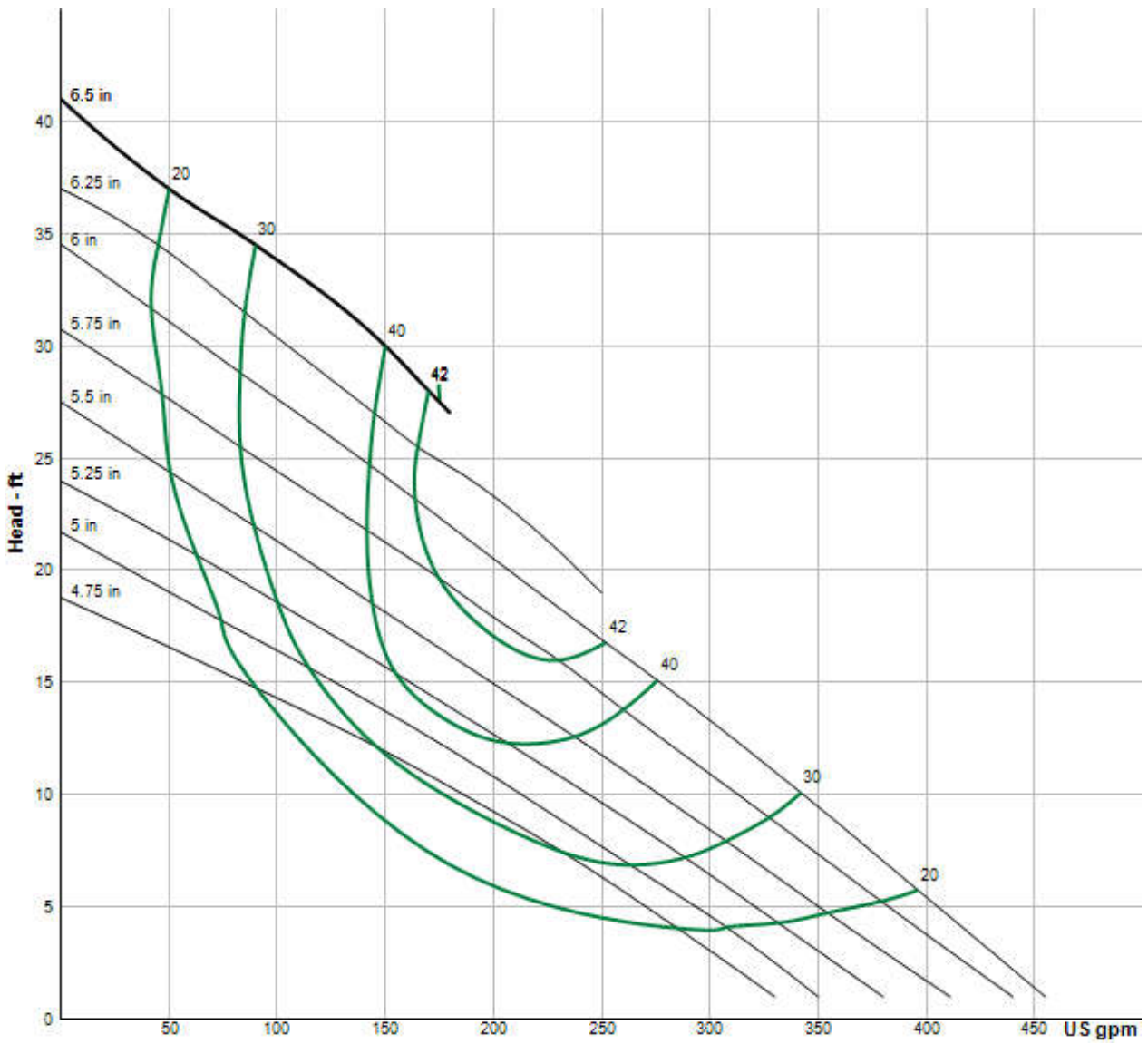
Curves

1150 RPM



| Pump HP | Impeller Dia in. (mm) |
|---------|-----------------------|
| 1.9 | 7.00 (178) |
| 2.8 | 7.50 (191) |

1750 RPM

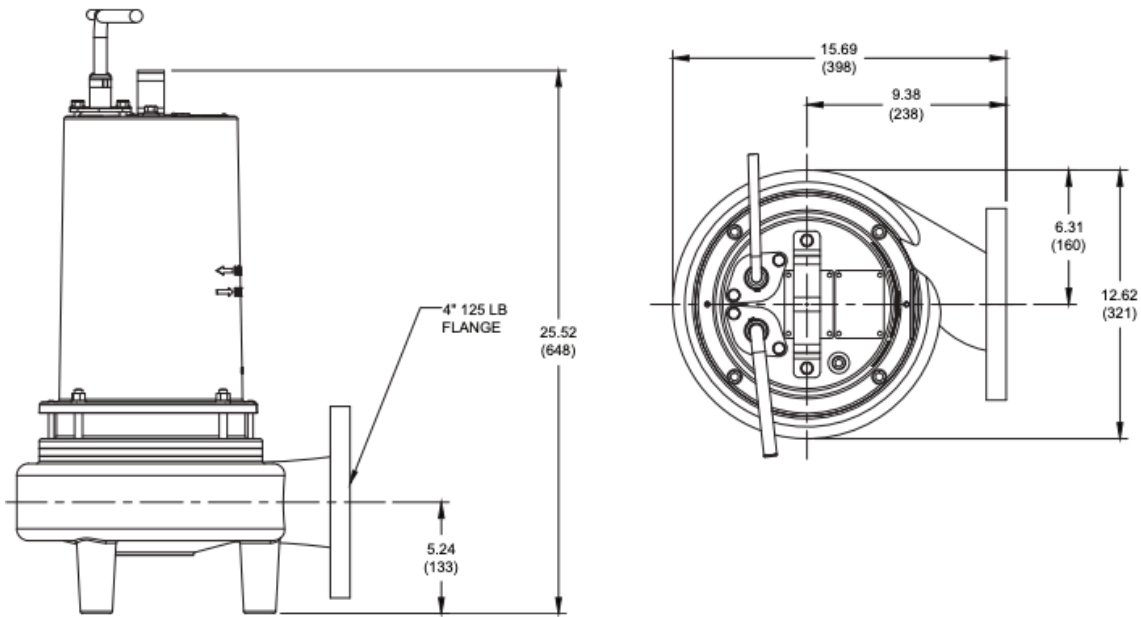



| Pump HP | Impeller Dia in. (mm) |
|---------|-----------------------|
| 2.8 | 6.00 (152) |
| 3.7 | 6.50 (165) |
| 5.0 | 7.00 (170) |

Model Information

| PUMP MODEL NUMBER | 4SE2826L | 4SE2896L | 4SE2846L | 4SE2856L | 4SE2824L | 4SE2894L | 4SE2844L | 4SE2854L |
|---------------------------|------------|------------|------------|------------|------------|------------|------------|------------|
| PART NUMBER | 133163 | 133164 | 133165 | 133166 | 133125 | 133141 | 133142 | 133144 |
| HP | 2.8 | 2.8 | 2.8 | 2.8 | 2.8 | 2.8 | 2.8 | 2.8 |
| VOLTAGE/PHASE | 230/1 | 200-230/3 | 460/3 | 575/3 | 230/1 | 200-230/3 | 460/3 | 575/3 |
| HZ | 60 | 60 | 60 | 60 | 60 | 60 | 60 | 60 |
| RPM (NOMINAL) | 1150 | 1150 | 1150 | 1150 | 1750 | 1750 | 1750 | 1750 |
| NEMA START CODE | A | F/H | H | H | A | D/G | F | F |
| INSULATION CLASS | B | B | B | B | B | B | B | B |
| FULL LOAD AMPS | 13.5 | 9.2/8.4 | 4.2 | 3.4 | 12.6 | 9.2/8.0 | 4 | 3.2 |
| LOCKED ROTOR AMPS | 31.0 | 38.2/44.0 | 22 | 17.6 | 23 | 35.9/42.7 | 18 | 14.4 |
| CORD SIZE | 12/3 | 14/4 | 14/4 | 14/4 | 12/3 | 12/4 | 14/4 | 14/4 |
| CORD TYPE | SOOW/SOW | SOOW/SOW | SOOW/SOW | SOOW/SOW | SOOW/SOW | SOOW/SOW | SOOW/SOW | SOOW/SOW |
| CORD O.D INCH (MM) | .61 (15.5) | .57 (14.5) | .57 (14.5) | .57 (14.5) | .61 (15.5) | .68 (17.4) | .57 (14.5) | .57 (14.5) |

Drawing



 All dimensions are in inches (mm)