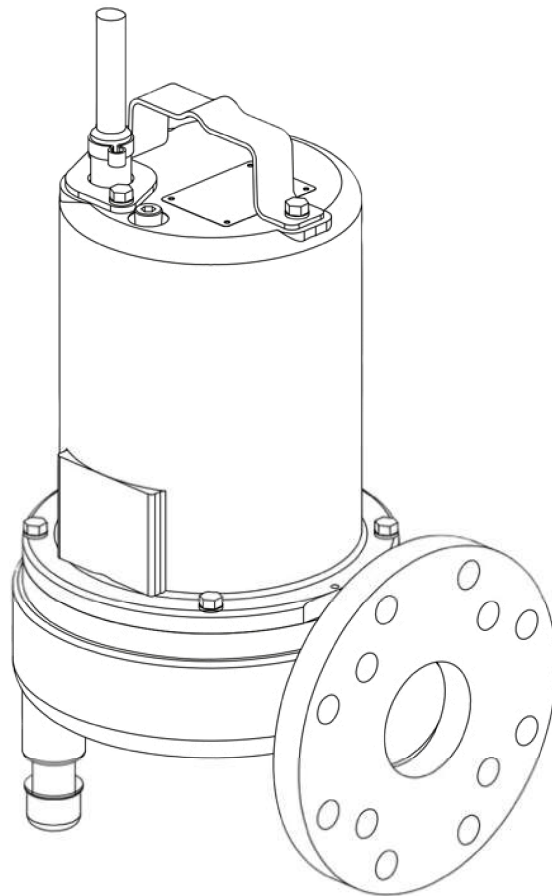


4SE-L – 1.9 HP

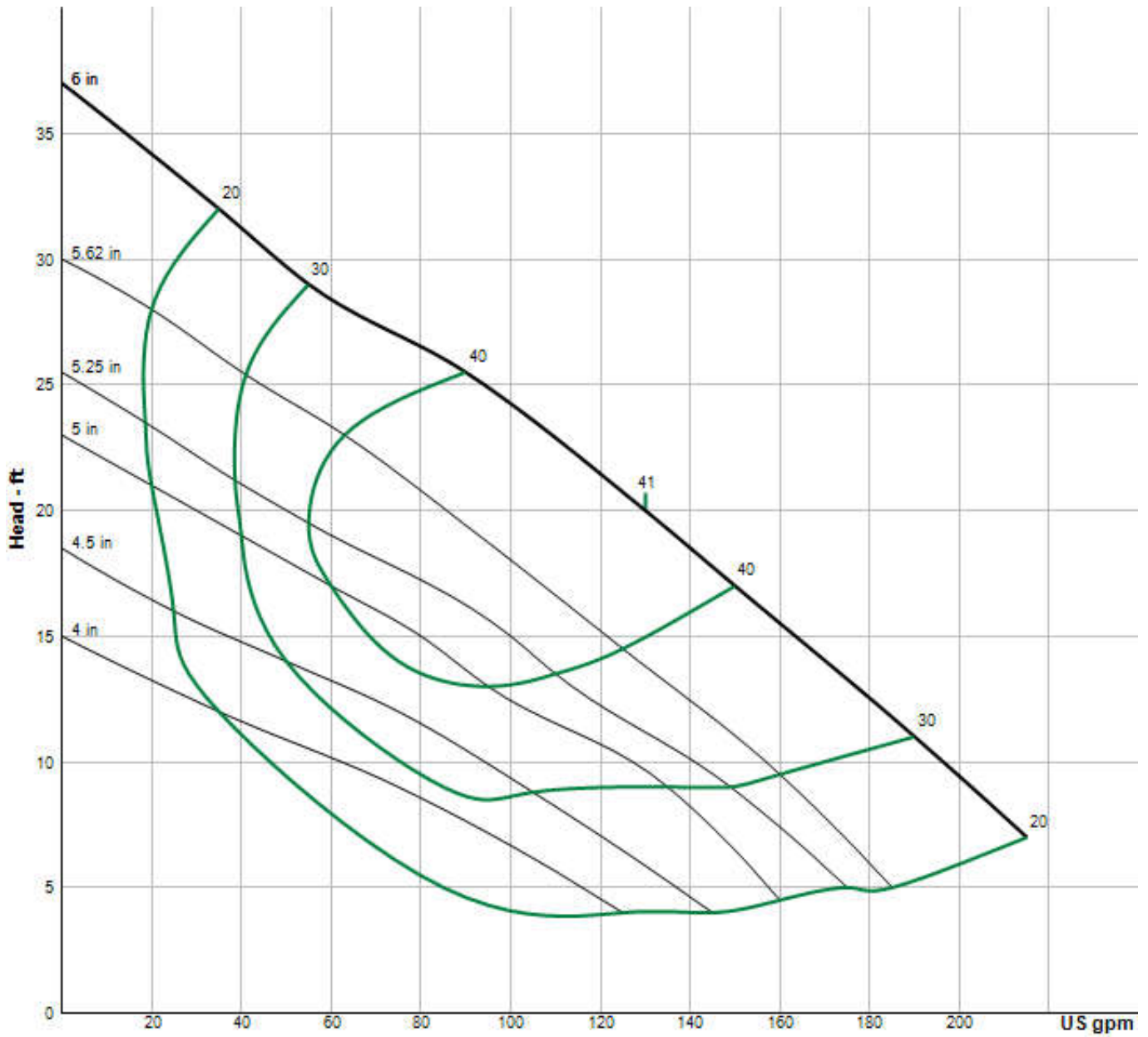
2" Spherical Solids Handling



Specifications

DISCHARGE:	3" & 4" 125lb., Horizontal flange
SPEED:	1750 RPM (Nominal)
IMPELLER:	<ul style="list-style-type: none"> • Design: 2 Vane, open with pump out vanes on back side, dynamically balanced, ISO G6.3 • Material: Cast iron ASTM A-48, class 30
CORD ENTRY:	30 ft. (9.1m) Quick disconnect cord with plug on 120Volt, custom molded for sealing and strain relief
MOTOR:	<ul style="list-style-type: none"> • Design: NEMA L- single phase, NEMA B - three phase torque curve, oil filled, squirrel cage induction • Insulation: Class B; Class F on select models
SEAL:	<ul style="list-style-type: none"> • Design: Single Mechanical • Material: Carbon/Ceramic/Buna-N • Hardware: 300 series stainless
LIQUID TEMPERATURE:	104°F (40°C) Continuous
VOLUTE:	Cast iron ASTM A-48, class 30
MOTOR HOUSING	Cast iron ASTM A-48, class 30
SEAL PLATE:	Cast iron ASTM A-48, class 30
SHAFT:	416 Stainless steel
SQUARE RINGS:	Buna-N
HARDWARE:	300 Series stainless steel
PAINT:	Air dry enamel (epoxy optional)
UPPER BEARING:	<p>Upper Bearing:</p> <ul style="list-style-type: none"> • Design: Single row, ball, oil lubricated • Load: Radial <p>Lower Bearing:</p> <ul style="list-style-type: none"> • Design: Single row, ball, oil lubricated • Load: Radial
SINGLE PHASE	Permanent Split Capacitor (PSC) includes overload protection in motor
THREE PHASE	200-240/480 is Tri Voltage motor. 600V Requires Overload Protection to be included in Control Panel

Curves

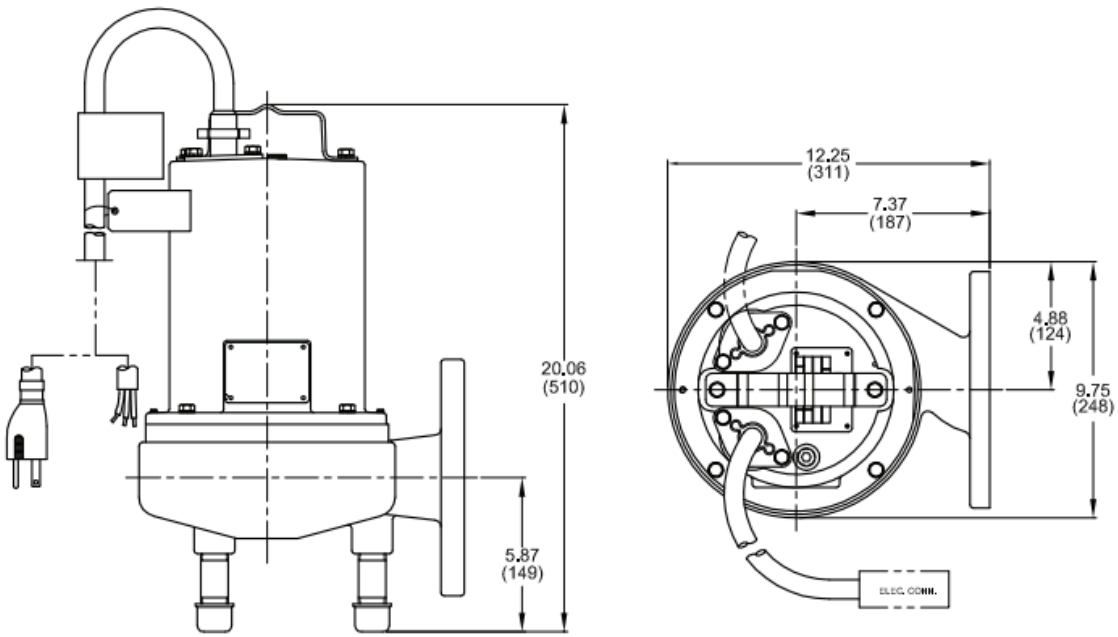



Pump HP	Impeller Dia in. (mm)
0.9	5.25 (133)
1.4	5.62 (143)
1.9	6.00 (152)

Model Information

PUMP MODEL NUMBER	4SE1974L	4SE1994L	4SE1944L	4SE1954L
PART NUMBER	105032	105033	105034	105035
HP	1.9	1.9	1.9	1.9
VOLTAGE/PHASE	200-240/1	200-240/3	480/3	600/3
HZ	60	60	60	60
RPM (NOMINAL)	1750	1750	1750	1750
NEMA START CODE	A/B	A/B	B	C
INSULATION CLASS	F	B	B	B
FULL LOAD AMPS	8.8/8.3	5.3/5.1	2.5	1.9
LOCKED ROTOR AMPS	21.5/25.8	13.7/15.4	7.7	7.2
CORD SIZE	14/3	14/4	14/4	14/4
CORD TYPE	SOW	SOW	SOW	SOW
CORD O.D INCH (MM)	0.530 (13.5)	0.570 (14.5)	0.570 (14.5)	0.570 (14.5)

Drawing



 All dimensions are in inches (mm)