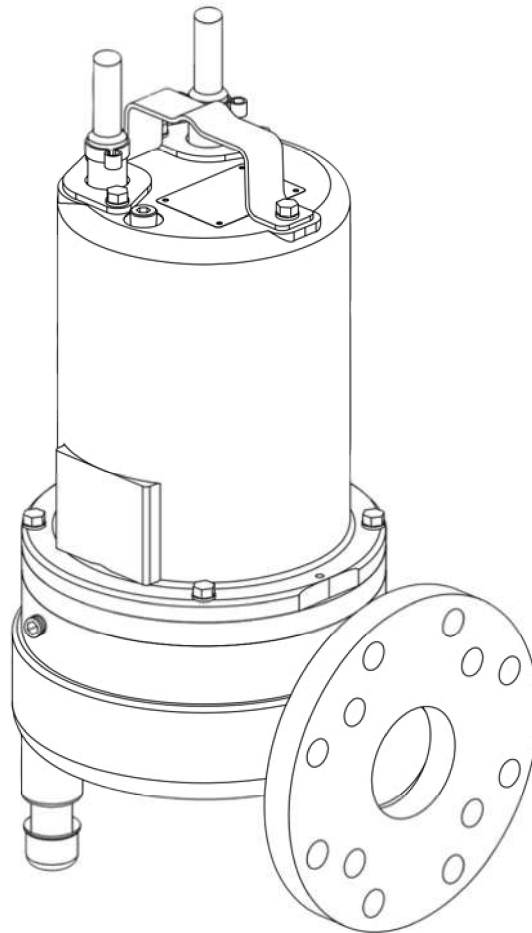


4SE-L – 1.9 HP

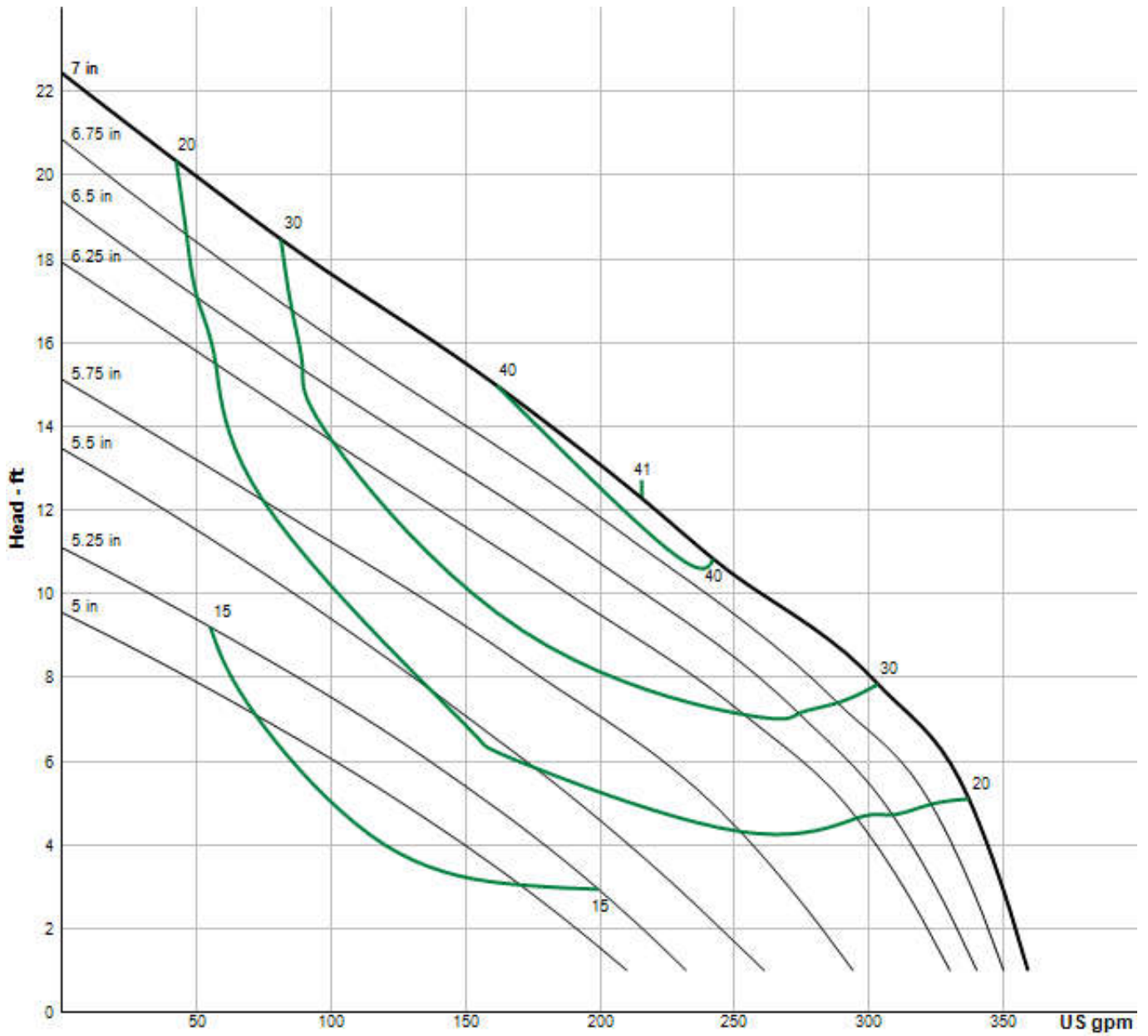
3" Spherical Solids Handling



Specifications

DISCHARGE:	4" 125lb., Horizontal flange
SPEED:	1150 RPM (Nominal)
IMPELLER:	<ul style="list-style-type: none"> • Design: Vane, semi-open with pump out vanes on back side, dynamically balanced, ISO G6.3 • Material: Cast iron ASTM, class 30
CORD ENTRY:	30 ft. (9.1 m) Cord. Quick connect custom molded for sealing and strain relief
MOTOR:	<ul style="list-style-type: none"> • Design: NEMA L- single phase, NEMA B - three phase torque curve, oil filled, squirrel cage induction • Winding: Class B, Class H rated magnet wire, Class F on selected models • Service Factor: 1.15
SEAL:	<ul style="list-style-type: none"> • Design: Double mechanical, oil filled pressure equalized reservoir • Material: Carbon/Ceramic/Buna-N • Hardware: 300 Series Stainless
LIQUID TEMPERATURE:	104°F (40°C) Continuous
VOLUTE:	Cast iron ASTM A-48, class 30
MOTOR HOUSING	Cast iron ASTM A-48, class 30
SEAL PLATE:	Cast iron ASTM A-48, class 30
SHAFT:	416 Stainless steel
SQUARE RINGS:	Buna-N
HARDWARE:	300 Series stainless steel
PAINT:	Air dry enamel (epoxy optional)
UPPER BEARING:	<p>Upper Bearing:</p> <ul style="list-style-type: none"> • Design: Single row, ball, oil lubricated • Load: Radial
LOWER BEARING:	<p>Lower Bearing:</p> <ul style="list-style-type: none"> • Design: Single row, ball, oil lubricated • Load: Radial
SINGLE PHASE	Permanent Split Capacitor (PSC) includes overload protection in motor
THREE PHASE	200-240/480 is Tri Voltage motor. 600V Requires Overload Protection to be included in Control Panel
MOISTURE SENSOR	Normally open (N/O), requires relay in control panel
TEMPERATURE SENSOR:	Normally Closed (N/C), Requires relay in control panel. For three phase units ONLY

Curves

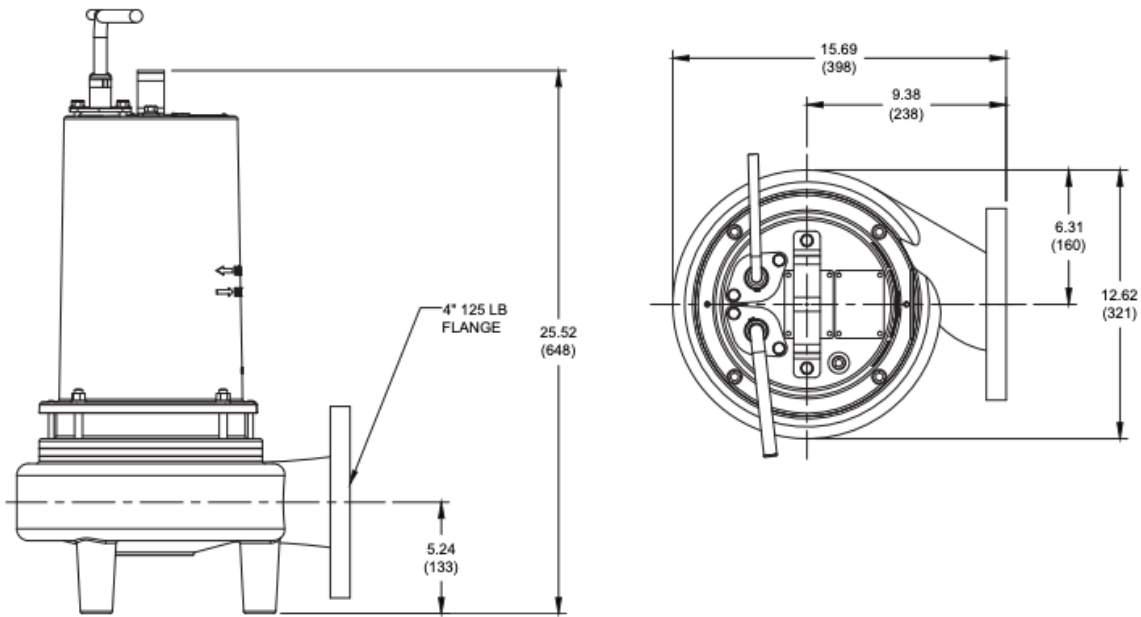



Pump HP	Impeller Dia in. (mm)
1.9	7.00 (178)
2.8	7.50 (191)

Model Information

PUMP MODEL NUMBER	4SE1926L	4SE1996L	4SE1946L	4SE1956L
PART NUMBER	133159	133160	133161	133162
HP	1.9	1.9	1.9	1.9
VOLTAGE/PHASE	230/1	200-230/3	460/3	575/3
HZ	60	60	60	60
RPM (NOM)	1150	1150	1150	1150
NEMA START CODE	D	E/G	G	G
INSULATION CLASS	B	B	B	B
FULL LOAD AMPS	8.3	5.8/5.0	2.5	2
LOCKED ROTOR AMPS	35	26.1/30.0	15	12
CORD SIZE	14/3	14/4	14/4	14/4
CORD TYPE	SOOW/SOW	SOOW/SOW	SOOW/SOW	SOOW/SOW
CORD O.D INCH (MM)	.53 (13.5)	.57 (14.5)	.57 (14.5)	.57 (14.5)

Drawing



 All dimensions are in inches (mm)