


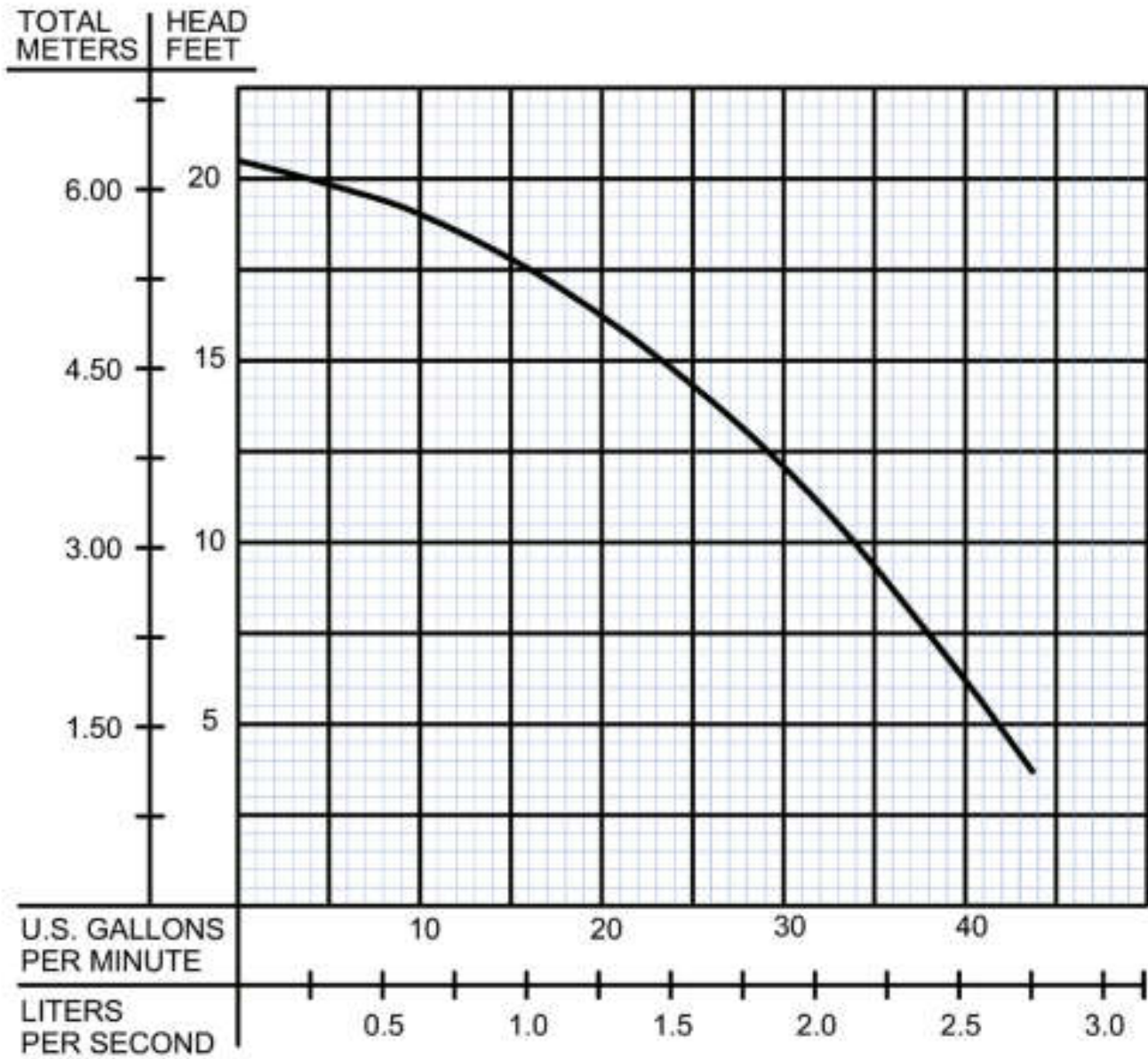
Expel – 1/3 HP


Automatic Submersible Sump



DISCHARGE:	1½" NPT, Female, Vertical
LIQUID TEMPERATURE:	104°F (40°C) Continuous
MOTOR HOUSING:	Cast Iron
PUMP BODY, STRAINER, IMPELLER:	Thermoplastic
SHAFT:	Steel
O-RINGS:	Buna-N
HARDWARE:	300 Series stainless steel
PAINT:	Air dry enamel
SEAL:	<ul style="list-style-type: none"> • Design: Single Mechanical, Type 11A • Material: Carbon/Ceramic/Buna-N • Hardware: 300 Series stainless steel
CORD ENTRY:	9 ft. (2.7m) Cord with plug and Pressure Grommet for sealing and strain relief
BEARINGS:	Single row, ball, oil lubricated
MOTOR:	<ul style="list-style-type: none"> • Design: Oil filled • Insulation: Class B
SINGLE PHASE:	Permanent split capacitor (PSC). Includes thermal overload protection in motor
LEVEL CONTROL:	Vertical float integral to pump
MINIMUM SUMP DIA:	14" (355mm)

 GFCI Compatible to Comply with NEC 210.8 (A)



 Testing is performed with water specific gravity of 1.0 @ 68°F (20°C), other fluids may vary performance

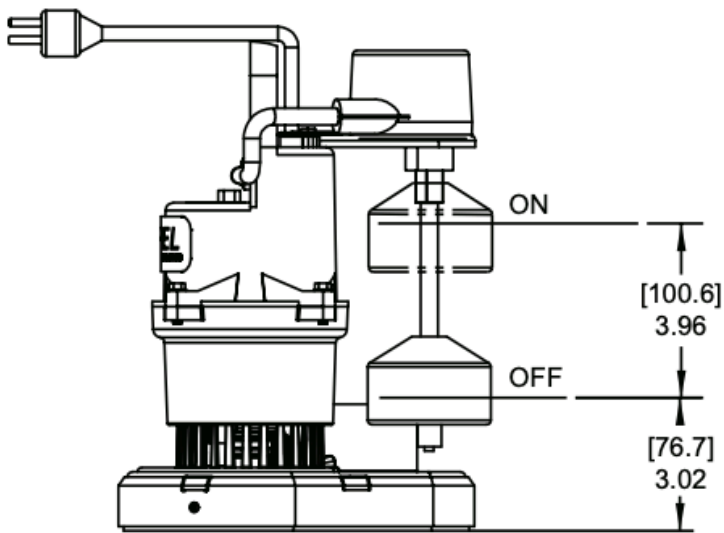
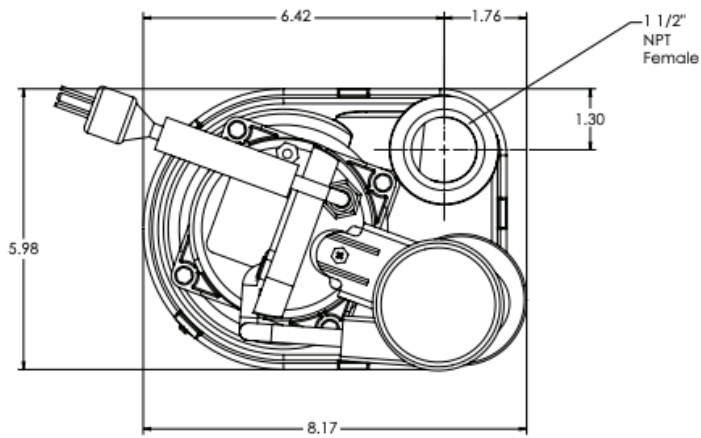
PUMP MODEL. NUMBER	ESB33
PART NUMBER	130234A
HP	1/3
VOLTAGE/PHASE	120/1
HZ	60
RPM	3450
NEMA START CODE	A
FLA	3.4
CORD LENGTH	9 FT. (2.7M)
CORD SIZE	18
CORD TYPE	SJTW


WEIGHT (LBS) 10



IMPORTANT

- 1.) PUMP MAY BE OPERATED "DRY" FOR EXTENDED PERIODS WITHOUT DAMAGE TO MOTOR AND/OR SEALS.
- 2.) INSTALLATIONS SUCH AS DECORATIVE FOUNTAINS OR WATER FEATURES PROVIDED FOR VISUAL ENJOYMENT MUST BE INSTALLED IN ACCORDANCE WITH THE NATIONAL ELECTRIC CODE ANSI/NFPA 70 AND/OR THE AUTHORITY HAVING JURISDICTION. THIS PUMP IS NOT INTENDED FOR USE IN SWIMMING POOLS, RECREATIONAL WATER PARKS, OR INSTALLATIONS IN WHICH HUMAN CONTACT WITH PUMPED MEDIA IS A COMMON OCCURRENCE.



 All dimensions are in inches (mm)