

# HIGH EFFICIENCY VERTICAL MULTISTAGE CENTRIFUGAL PUMP

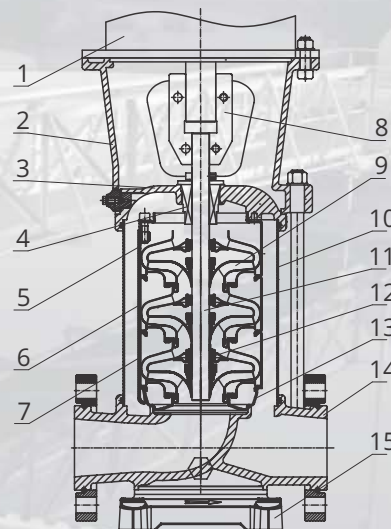
Series: **HMV300-30-5003**  
50 HP

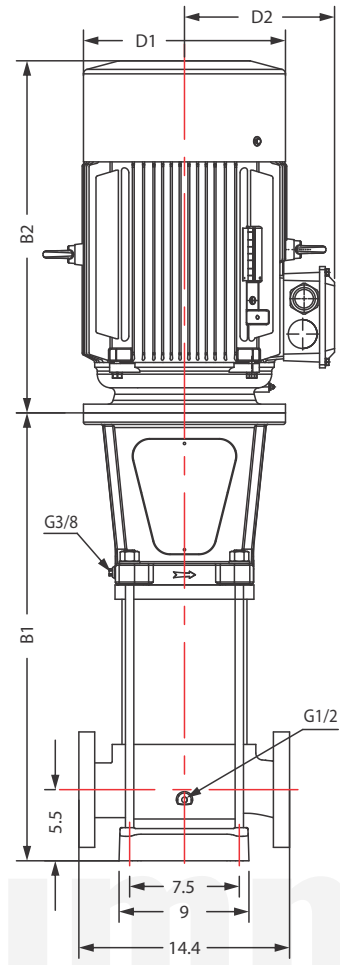
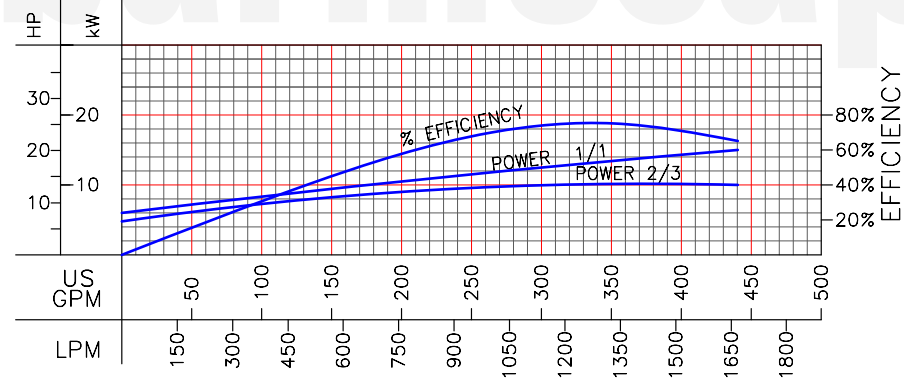
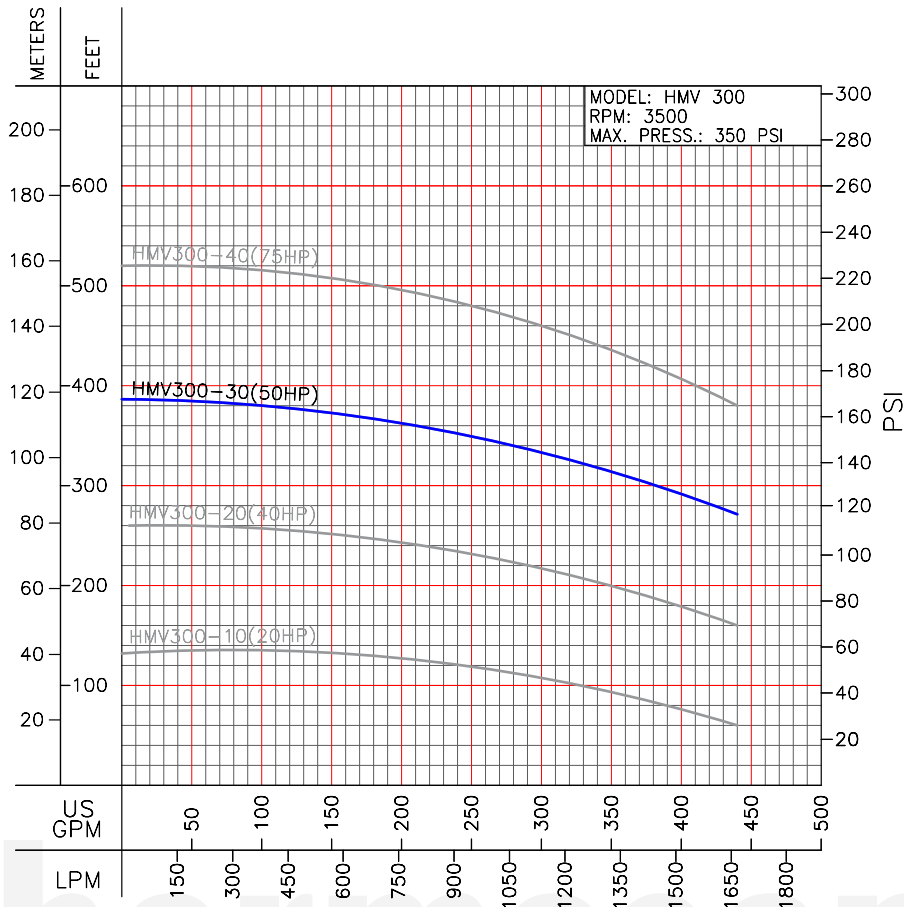


\* Representative image

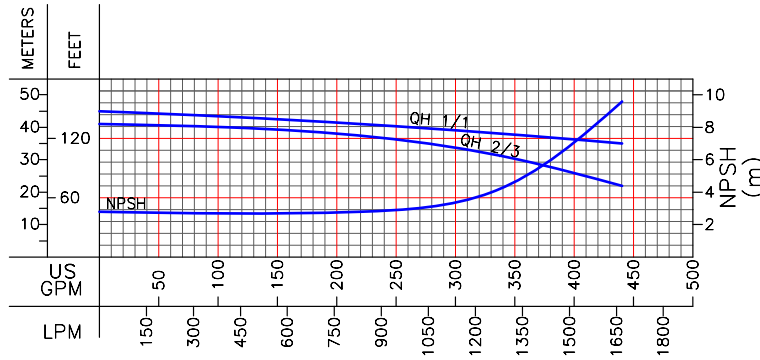
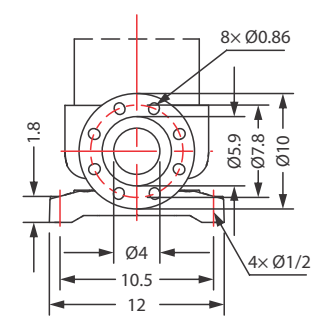
TECHNICAL DATA								
MODEL	PART No.	HP	RPM	V	MAX. AMPS	MAX. TEMP. (°F)	MAX. Q (gpm)	MAX. H (ft)
HMV300-10-1-1503	70120117A	15	3500	230/460	34/17	248	410	131
HMV300-10-2-2003	70120117B	20	3500	230/460	46/23	248	410	157
HMV300-20-2-3003	70120117C	30	3500	230/460	66.9/33.5	248	410	265
HMV300-20-4-4003	70120117H	40	3500	230/460	90.7/45.4	248	410	298
HMV300-30-2-4003	70120117D	40	3500	230/460	90.7/45.4	248	410	409
<b>HMV300-30-5003</b>	<b>70120117E</b>	<b>50</b>	<b>3500</b>	<b>230/460</b>	<b>111/55.7</b>	<b>248</b>	<b>410</b>	<b>454</b>
HMV300-40-2-6003	70120117F	60	3500	230/460	134/66.8	248	410	573
HMV300-40-7503	70120117J	75	3500	230/460	163/81.3	248	410	605
HMV300-50-2-7503	70120117G	75	3500	230/460	163/81.3	248	410	720

ITEM	NAME	MATERIAL	AISI/ASTM
1	Motor	-	-
2	Bracket	Ductile cast iron	ASTM A536 65-45-12
3	Seal base	Stainless steel	AISI 304
4	Mechanical seal	SiC/Carbon	-
5	Top diffuser	Stainless steel	AISI 304
6	Diffuser	Stainless steel	AISI 304
7	Support diffuser	Stainless steel	AISI 304
8	Coupling	Ductile iron	ASTM A536 65-45-12
9	Impeller	Stainless steel	AISI 304
10	Cylinder	Stainless steel	AISI 304
11	Shaft	Stainless steel	AISI 304
12	Bearing	Tungsten carbide	-
13	Inducer	Stainless steel	AISI 304
14	Inlet & outlet chamber	Stainless steel	AISI 304
15	Base	Cast iron	ASTM 25B





4" / ANSI / CLASS 300



MODEL	HP	STAGES	SIZE (in)			D1	D2	WEIGHT (lb)
			B1	B2	B1+B2			
HMV300-10-1-1503	15	1	24	24	48	14	10	399
HMV300-10-2-2003	20	1	24	24	48	14	10	399
HMV300-20-2-3003	30	2	28	26	54	14	11	573
HMV300-20-4-4003	40	2	28	28	56	16	12	701
HMV300-30-2-4003	40	3	31	3	34	16	12	705
<b>HMV300-30-5-5003</b>	<b>50</b>	<b>3</b>	<b>31</b>	<b>28</b>	<b>59</b>	<b>16</b>	<b>12</b>	<b>772</b>
HMV300-40-2-6003	60	4	34	29	63	18	13	926
HMV300-40-7-5003	75	4	35	32	68	22	15	1124
HMV300-50-2-7503	75	5	39	32	71	22	15	1129