

# SELF-PRIMING CENTRIFUGAL SOLIDS HANDLING PUMP

Series: SH3-U  
Suction: 3"  
Discharge: 3"  
Spherical solids handling: 2½"



**SIZE**  
3" x 3", 125 lb

**LIQUID TEMPERATURE**  
160°F (71 °C)

**CASING**  
Cast iron ASTM A-48 class 30. Maximum operating pressure 87 psi (600 KPa).

**IMPELLER**  
*Design:* 2 vane, open.  
*Material:* ductile iron no. 65-45-12

**SHAFT**  
Alloy steel no. 4140

**SHAFT SLEEVE**  
316 series stainless steel

**REPLACEABLE WEAR PLATE**  
Carbon steel no. 1015

**REMOVABLE COVER PLATE**  
Cast iron ASTM A-48 class 30, weight 30 lb.

**FLAP VALVE**  
Neoprene with steel reinforcing

**BEARING HOUSING**  
Cast iron ASTM A-48 class 30

**SEAL PLATE**  
Cast iron ASTM A-48 class 30

**BEARING - PUMP END**  
Open single ball, radial load.

**BEARING - DRIVE END**  
Open double ball, thrust load.

**SEAL CAVITY AND BEARING LUBRICATION**  
SAE no. 30 non detergent oil, pump includes oil level sight gauges.

**GASKETS**  
Buna-N, compressed synthetic fibers, PTFE, vegetable fiber, cork and rubber.

**O-RINGS**  
Buna-N

**HARDWARE**  
Standard plated steel

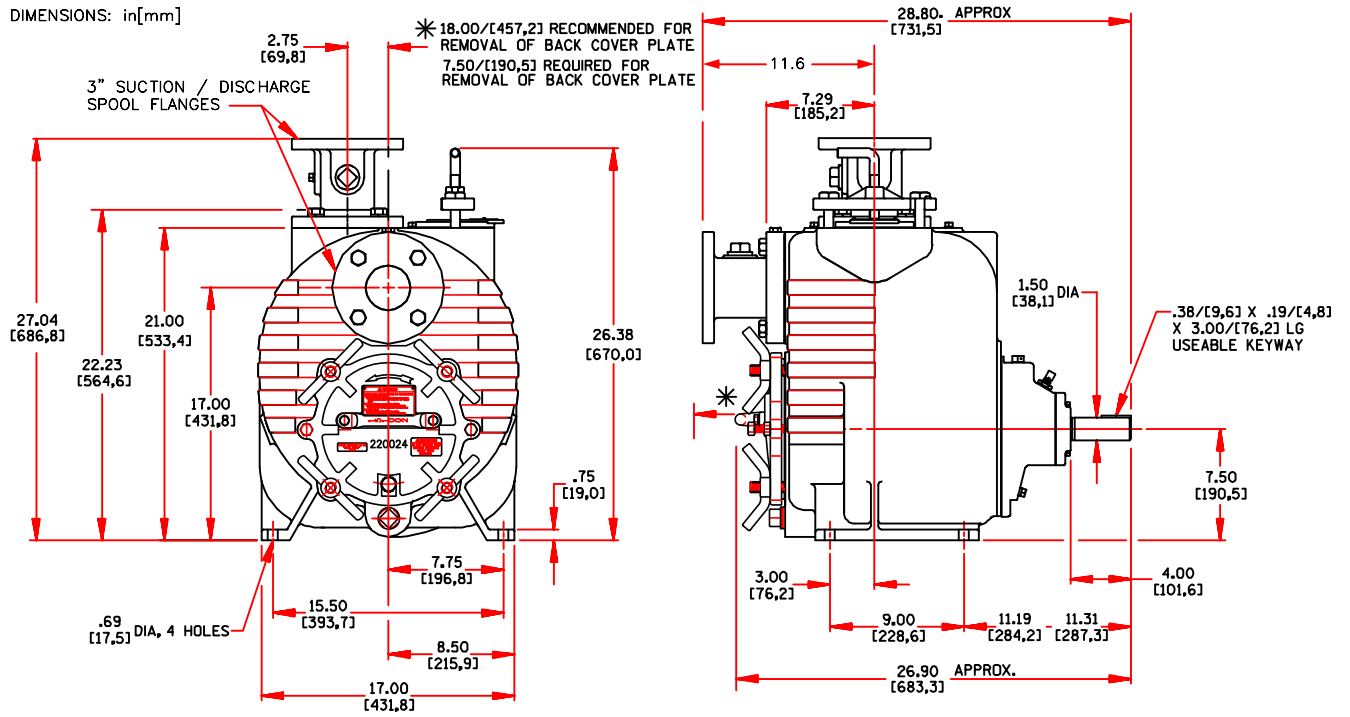
**PAINT**  
Air dry enamel, water based.

**PRESSURE RELIEF VALVE**  
Brass

**SEAL**  
*Design:* type 21, mechanical, oil lubricated, double floating, self aligning.  
*Material:* silicon carbide rotating and stationary faces, fluorocarbon elastomers (Viton® or equivalent). 316 stainless steel cage and spring.

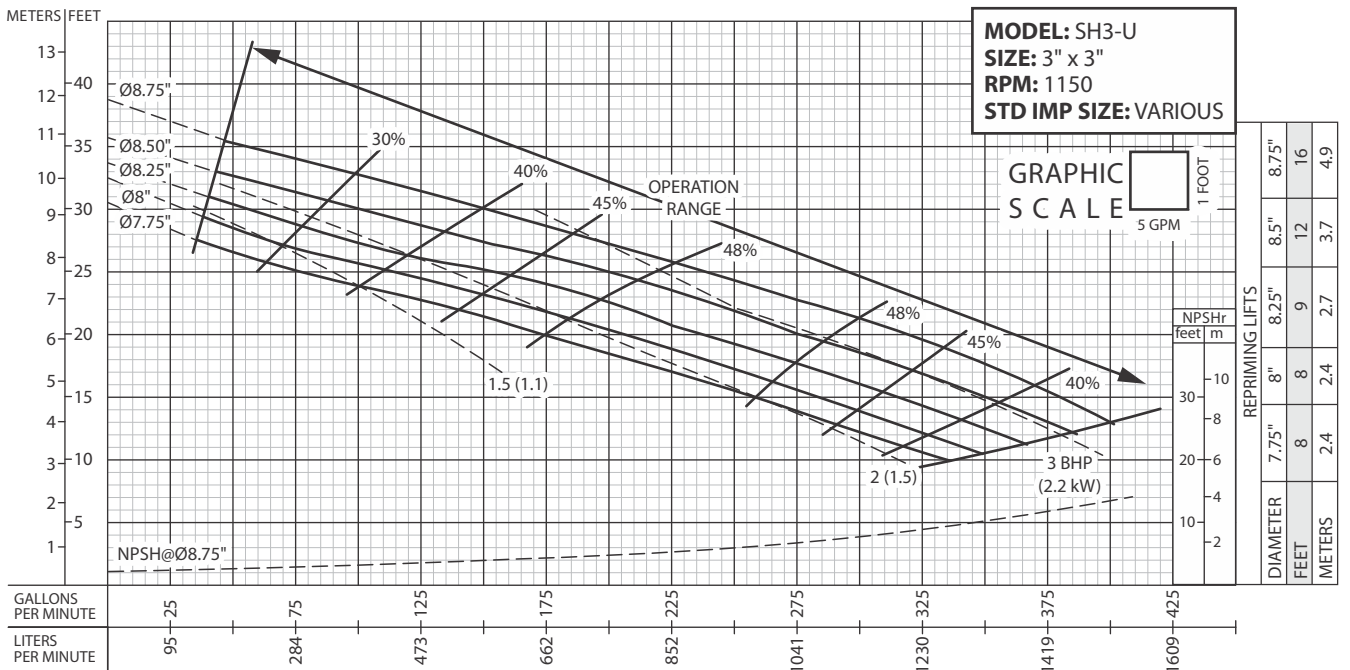
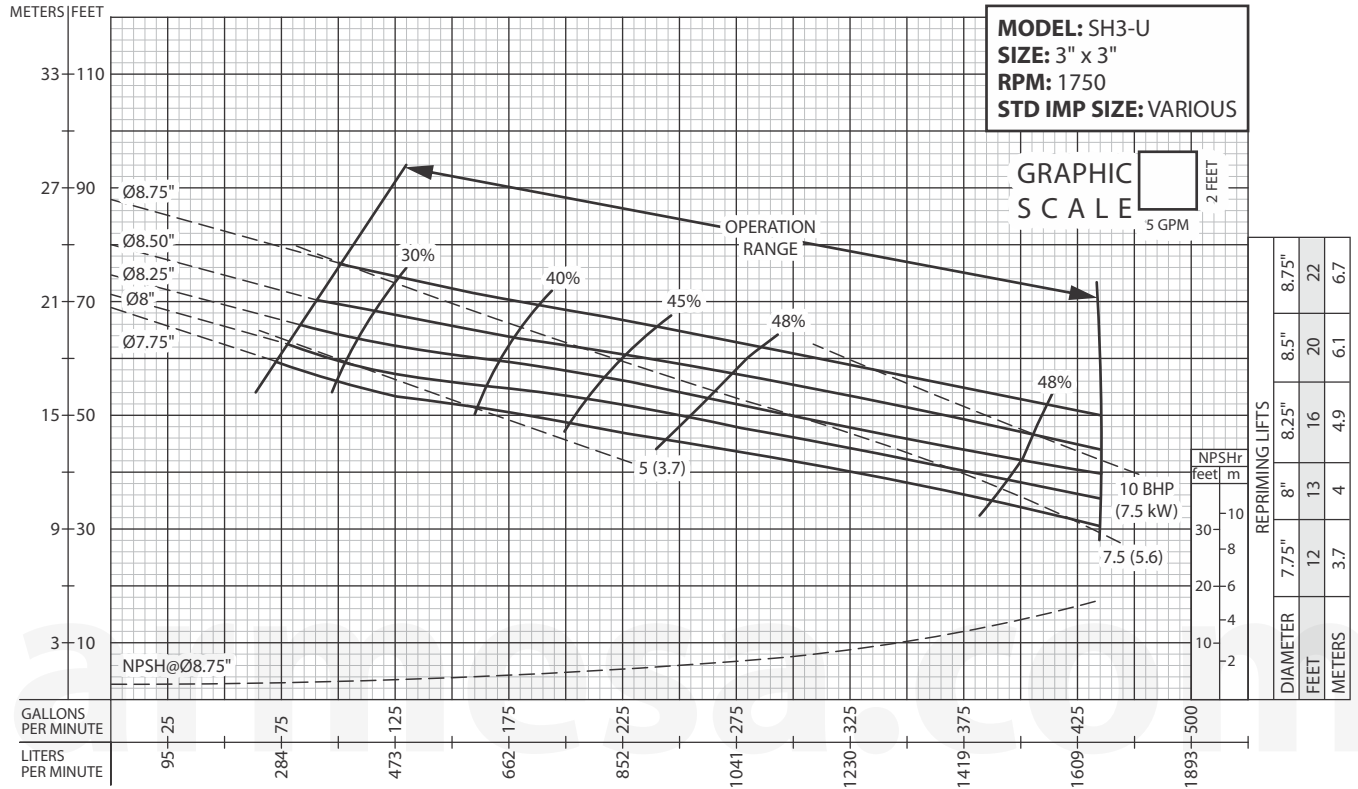
**OPTIONAL EQUIPMENT**  
Flexible coupled assy, with base OSHA guard and electric motor.

DIMENSIONS: in[mm]



**IMPORTANT! - Do not use in explosive atmosphere or for pumping volatile flammable liquids.**

barmesa.com



# PERFORMANCE CURVE

## Self-Priming Centrifugal Solids Handling Pump

### Series: SH3-U

