

SELF-PRIMING CENTRIFUGAL TRASH PUMPS

Series: BSPO2LA6C
Spherical solids handling: 1¼"
Frame mounted



SIZE

2"x2" NPT.

LIQUID TEMPERATURE

160°F (71 °C)

CASING

Cast iron ASTM A-48 class 30.

IMPELLER

Design: 2 vane, open.

Material: cast iron ASTM A-48 class 30.

SHAFT

High carbon steel.

END COVER PLATE

Cast iron ASTM A-48 class 30, removable, full diameter.

VOLUTE/WEAR PLATE

Cast iron ASTM A-48 class 30, replaceable with external clearance adjustment.

SEAL PLATE

Alloy steel no. 4140, replaceable.

PEDESTAL

Cast iron ASTM A-48 class 30.

BEARING - PUMP END

Single ball, radial and thrust load, oil lubricated.

BEARING - DRIVE END

Single ball, radial and thrust load, oil lubricated.

PEDESTAL AND BEARING LUBRICATION

SAE no. 30 non detergent oil, pedestal includes oil level sight gauges.

SEAL

Design: mechanical, grease lubricated by self-feeding lubricator.

Material: carbon / ceramic / Buna-N.

CHECK VALVE

Elbow and weights are cast iron ASTM A-48 class 30, neoprene flap valve.

SQUARE RINGS

Buna-N.

HARDWARE

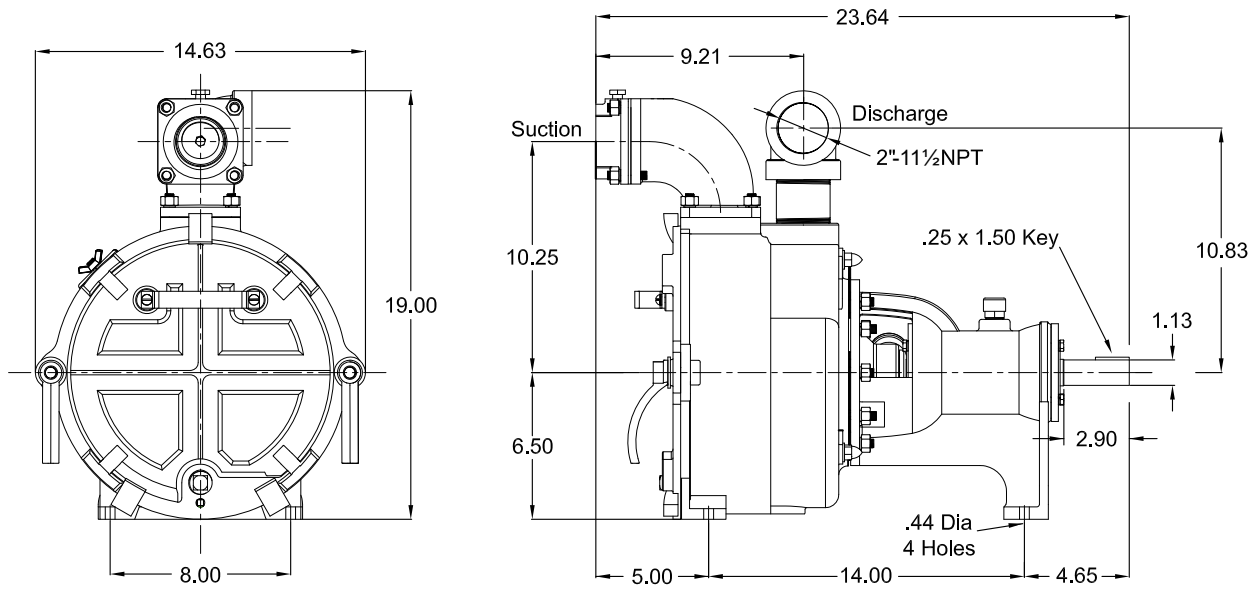
Corrosion resistant steel.

PAINT

Air dry enamel, water based.

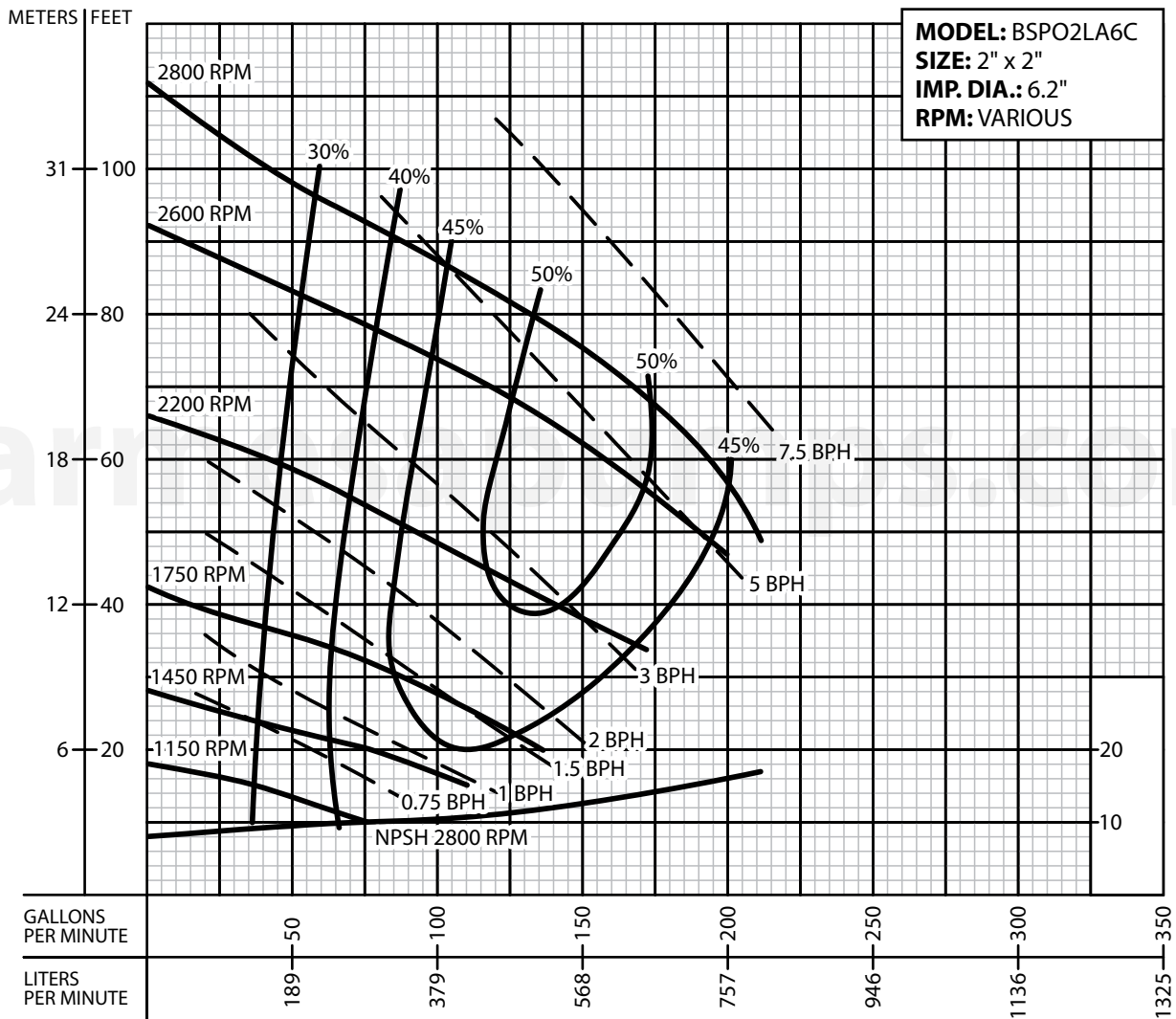
OPTIONAL EQUIPMENT

Flexible coupled assy, with base OSHA guard and electric motor.



IMPORTANT! - Do not use in explosive atmosphere or for pumping volatile flammable liquids.

barmesapumps.com



GRAPHIC SCALE  2 FEET
5 GPM

Testing is performed with water specific gravity of 1.0 @ 68°F (20°C); other fluids may vary performance.