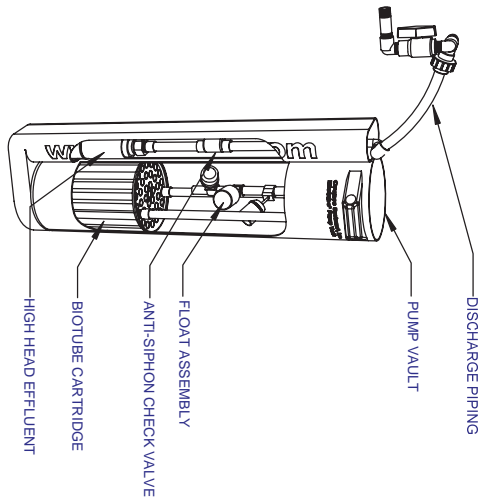
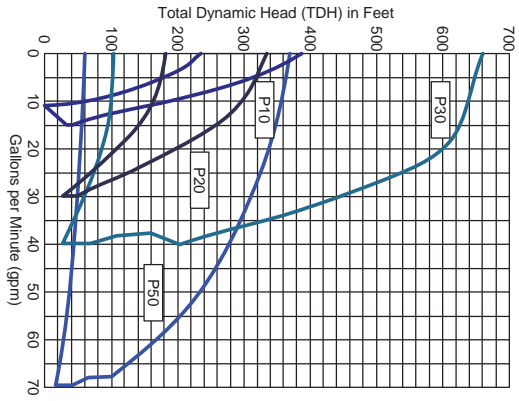
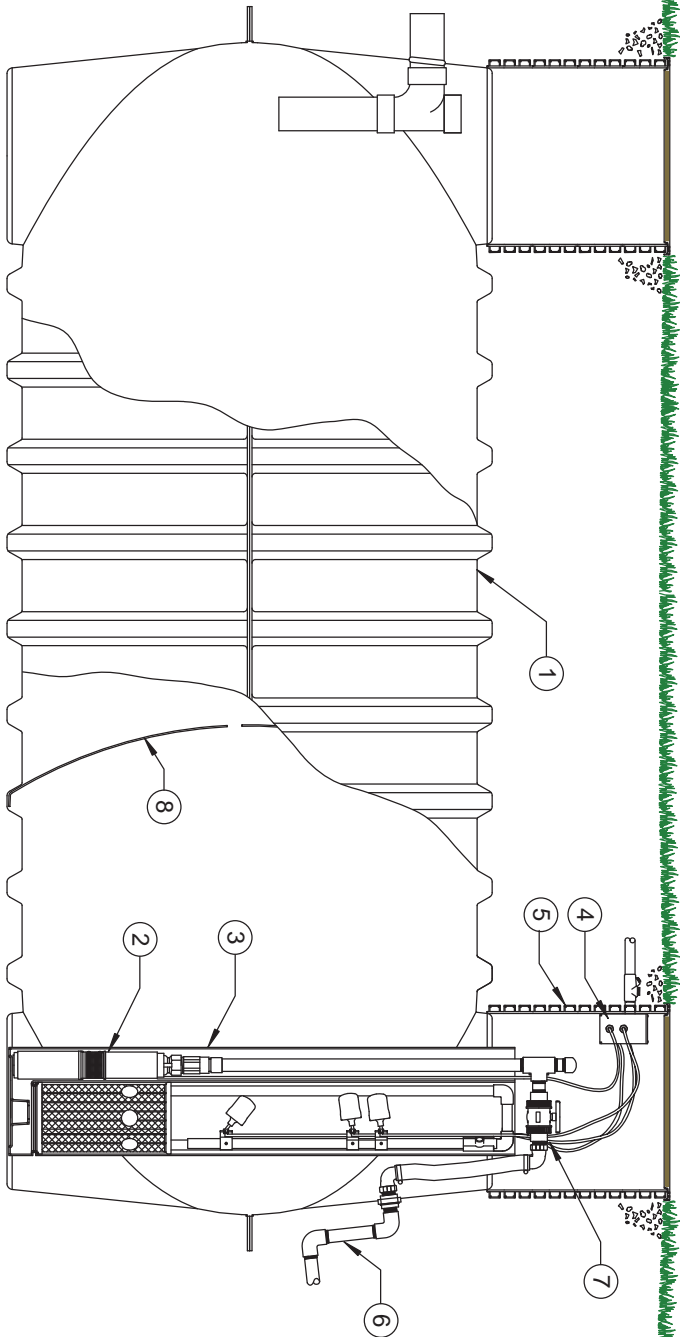


ORENCO P10 TO P50 SERIES
1/2 HP TO 5 HP



GENERAL NOTES

- ① ORENCO SYSTEMS® INC. SEPTIC TANK _____ 1000 OR _____ 1500 GAL FRP TESTED AND GUARANTEED WATERTIGHT
- ② ORENCO SYSTEMS® INC. HIGH HEAD EFFLUENT PUMP MODEL _____
- ③ ORENCO SYSTEMS® INC. BIOTUBE PUMP VAULT MODEL _____
- ④ ELECTRICAL SPLICE BOX & REMOTELY MOUNTED CONTROL PANEL
- ⑤ 24" X _____" ACCESS RISER AND FIBERGLASS LID
- ⑥ SCH80 PVC "SWING" JOINT
- ⑦ _____" DISCHARGE PIPING
- ⑧ FIBERGLASS TANK BAFFLE (OPTIONAL)



BOISE, ID
208-585-9338

COEUR D' ALENE, ID
888-809-6775
208-664-2133

SPOKANE, WA
800-359-9416
509-534-5616

DRAWN BY:	KCW
SCALE:	NTS
DATE:	05.24.05
VERSION NO.	V1.0

AFSTA _____
AFS TANK ASSEMBLIES