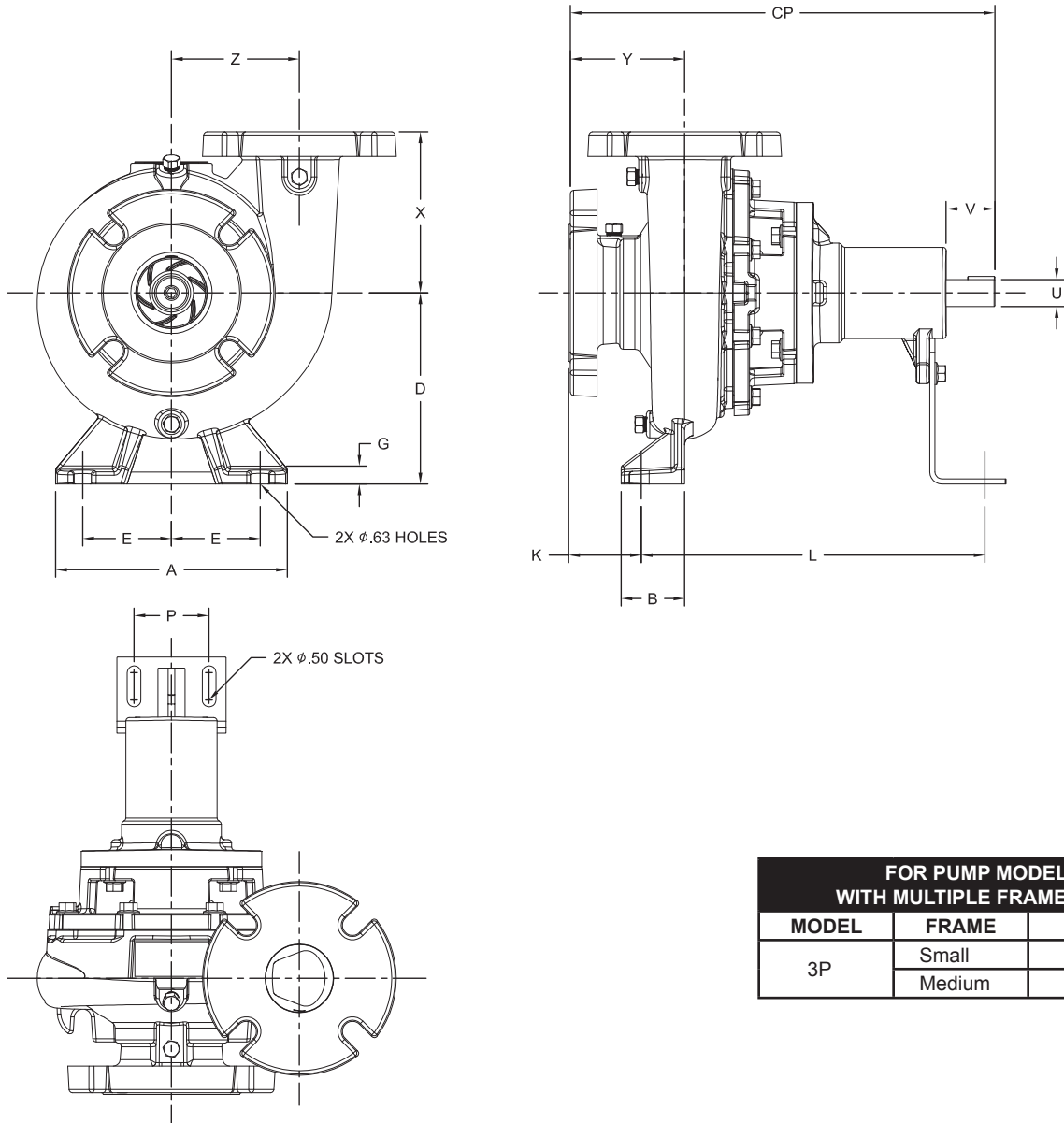


### End Suction Back Pull-Out

<b>PUMP NO.</b>	<b>PUMP:</b>	<b>MOTOR:</b>	<b>VOLTS:</b>
<b>FOR:</b>	<b>TDH:</b>	<b>HP:</b>	<b>HZ:</b>
<b>CERT. BY:</b>	<b>GPM:</b>	<b>RPM:</b>	<b>FRAME:</b>
<b>DATE:</b>	<b>FIGURE NO:</b>	<b>PHASE:</b>	
		<b>ENCLOSURE:</b>	



FOR PUMP MODELS WITH MULTIPLE FRAME SIZES		
MODEL	FRAME	RPM
3P	Small	1450/1760
	Medium	2900/3550

#### CONNECTIONS FOR 125# STANDARD FLANGES

Pump	Frame	Disch. (INCH)	Inlet (INCH)	A	B	D	E	2E	G	K	L	P	U	V	X	Y	Z	CP
1P	S	1.0	1.25	8.50	2.33	7.00	3.25	6.50	0.55	2.25	11.75	2.75	1.00	1.68	5.00	3.75	4.50	14.67
1.5P	S	1.5	2.0	8.50	2.33	7.00	3.25	6.50	0.55	1.63	12.06	2.75	1.00	1.68	6.00	3.13	4.62	14.36
2P	S	2.0	2.5	8.50	2.18	7.00	3.25	6.50	0.55	2.13	12.05	2.75	1.00	1.68	6.50	3.50	4.75	14.84
2.5P	S	2.5	3.0	8.50	2.33	7.00	3.25	6.50	0.55	2.75	12.25	2.75	1.00	1.68	6.00	4.25	4.69	15.63
3P	S	3.0	4.0	8.50	2.19	7.00	3.25	6.50	0.55	2.75	12.19	2.75	1.00	1.68	6.00	4.13	5.00	15.63
	15.77										1.25		1.98	19.50				

# Type "P"

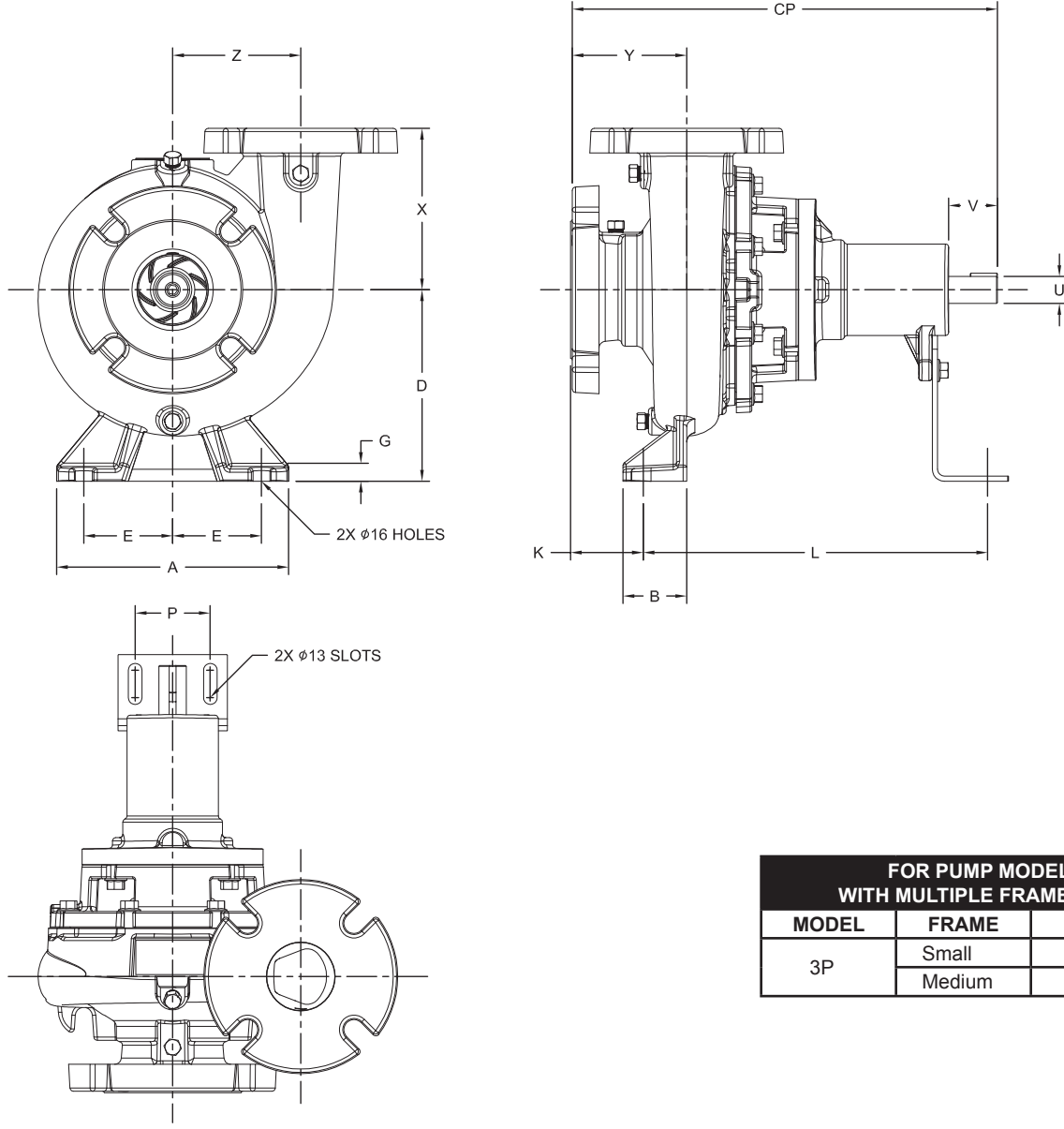
Models 1P, 1.5P, 2P, 2.5P, 3P  
Metric (Millimeters)

# WEINMAN®

www.cranepumps.com

## End Suction Back Pull-Out

<b>PUMP NO.</b>	<b>PUMP:</b>	<b>MOTOR:</b>	<b>VOLTS:</b>
<b>FOR:</b>	<b>TDH:</b>	<b>HP:</b>	<b>HZ:</b>
<b>CERT. BY:</b>	<b>GPM:</b>	<b>RPM:</b>	<b>FRAME:</b>
<b>DATE:</b>	<b>FIGURE NO:</b>	<b>PHASE:</b>	
		<b>ENCLOSURE:</b>	



FOR PUMP MODELS WITH MULTIPLE FRAME SIZES		
MODEL	FRAME	RPM
3P	Small	1450/1760
	Medium	2900/3550

### CONNECTIONS FOR 125# STANDARD FLANGES

Pump	Frame	Disch. (INCH)	Inlet (INCH)	A	B	D	E	2E	G	K	L	P	U	V	X	Y	Z	CP
1P	S	1.0	1.25	216	59	178	83	165	14	57	298	70	25	43	127	95	114	373
1.5P	S	1.5	2.0	216	59	178	83	165	14	41	306	70	25	43	152	80	117	365
2P	S	2.0	2.5	216	55	178	83	165	14	54	306	70	25	43	165	89	121	377
2.5P	S	2.5	3.0	216	59	178	83	165	14	70	311	70	25	43	152	108	119	397
3P	S	3.0	4.0	216	56	178	83	165	14	70	310	70	25	43	152	105	127	397
	401										32		50	495				

SECTION 575  
PAGE 40  
DATE 11/16



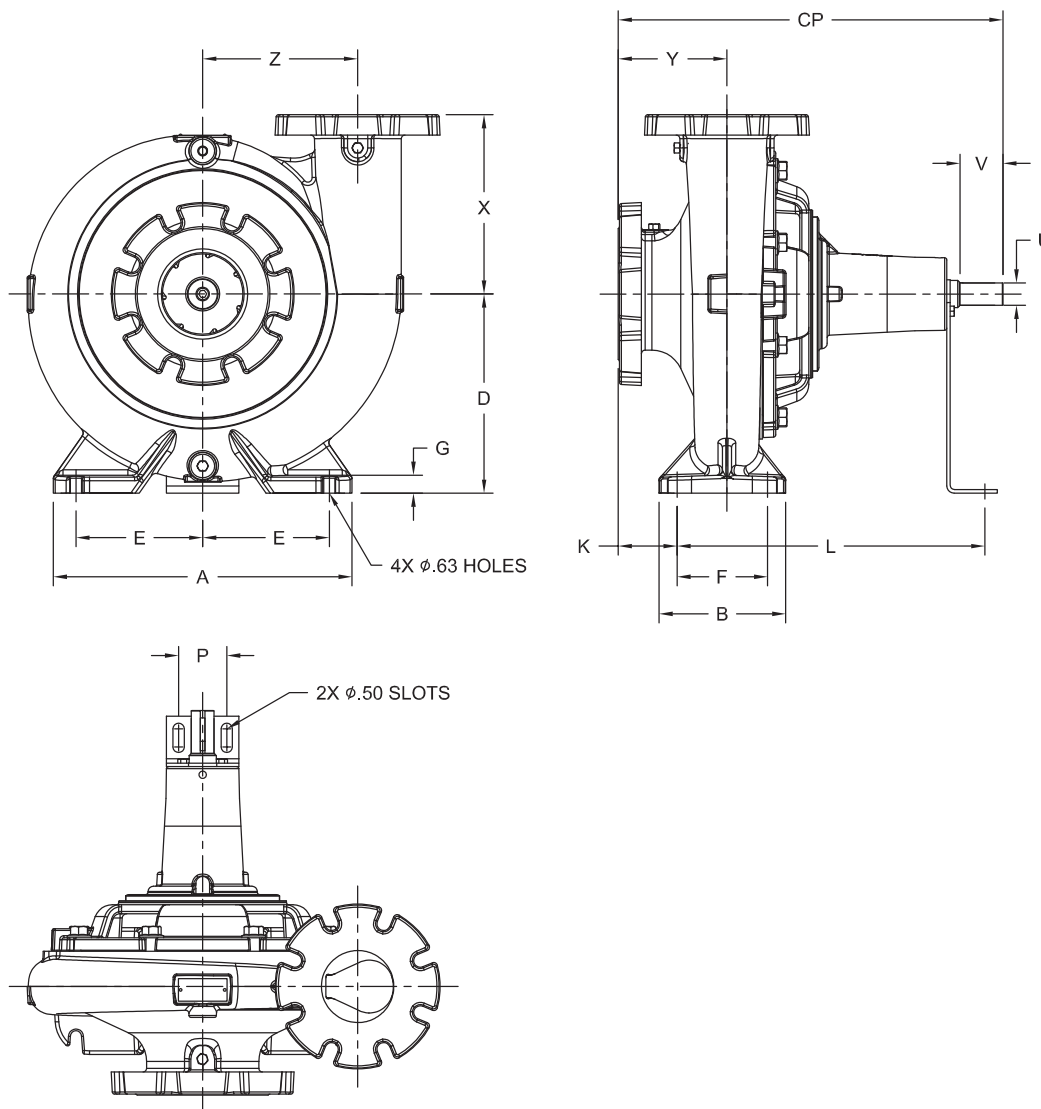
## PUMPS & SYSTEMS

A Crane Co. Company

USA: (937) 778-8947 • Canada: (905) 457-6223 • International: (937) 615-3598

### End Suction Back Pull-Out

<b>PUMP NO.</b>	<b>PUMP:</b>	<b>MOTOR:</b>	<b>VOLTS:</b>
<b>FOR:</b>	<b>TDH:</b>	<b>HP:</b>	<b>HZ:</b>
<b>CERT. BY:</b>	<b>GPM:</b>	<b>RPM:</b>	<b>FRAME:</b>
<b>DATE:</b>	<b>FIGURE NO:</b>	<b>PHASE:</b>	
		<b>ENCLOSURE:</b>	



FOR PUMP MODELS WITH MULTIPLE FRAME SIZES		
MODEL	FRAME	RPM
4P	Small	1450/1760
	Medium	2900/3550

#### CONNECTIONS FOR 125# STANDARD FLANGES

Pump	Frame	Disch. (INCH)	Inlet (INCH)	A	B	D	E	2E	G	K	L	P	U	V	X	Y	Z	CP
4P	S	4.0	5.0	11.50	6.00	8.00	4.56	9.12	4.25	0.85	13.32	2.75	1.00	1.68	7.50	4.94	5.75	16.87
	M										16.91		1.25	1.98				20.75

# Type "P"

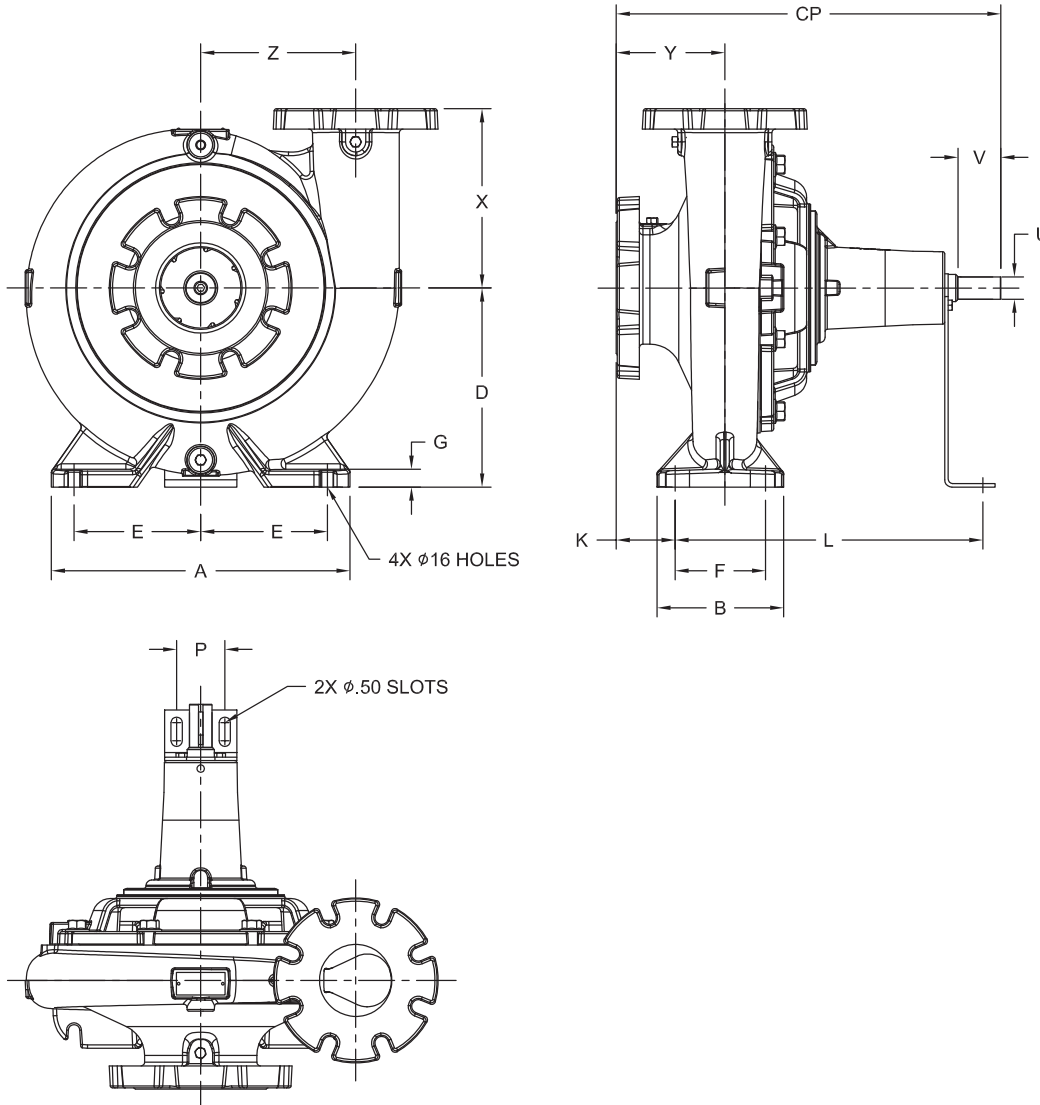
Models 4P  
Metric (Millimeters)

# WEINMAN®

www.cranepumps.com

## End Suction Back Pull-Out

PUMP NO.	PUMP: TDH: GPM:	MOTOR: HP: RPM: PHASE: ENCLOSURE:	VOLTS: HZ: FRAME:
FOR:	FIGURE NO:		
CERT. BY:	DATE:		



FOR PUMP MODELS WITH MULTIPLE FRAME SIZES		
MODEL	FRAME	RPM
4P	Small	1450/1760
	Medium	2900/3550

### CONNECTIONS FOR 125# STANDARD FLANGES

Pump	Frame	Disch. (INCH)	Inlet (INCH)	A	B	D	E	2E	G	K	L	P	U	V	X	Y	Z	CP
4P	S	4.0	5.0	292	152	203	116	232	108	22	338	70	25	43	191	125	146	428
	M										430		32	50				527

SECTION 575  
PAGE 42  
DATE 11/16

**CRANE**  
A Crane Co. Company

PUMPS & SYSTEMS

USA: (937) 778-8947 • Canada: (905) 457-6223 • International: (937) 615-3598