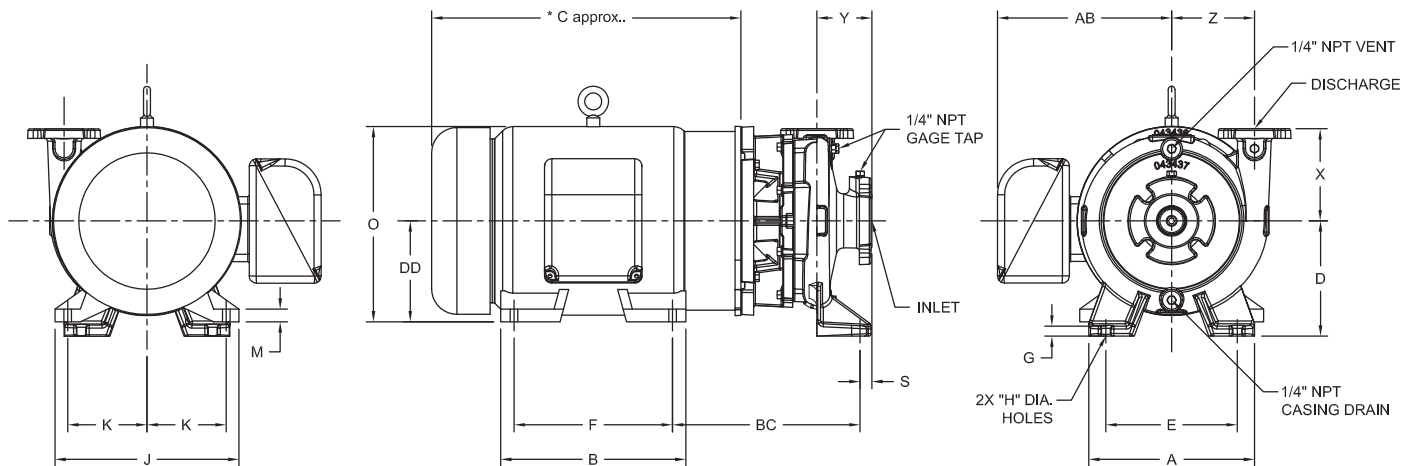


End Suction Back Pull-Out

PUMP NO.		PUMP:		HP:	
FOR:		TDH:		VOLTS/PHASE:	
CERT. BY:		GPM:		HZ:	
DATE:		PUMP SIZE:		FRAME:	
		RPM:		ENCLOSURE:	

CONNECTIONS FOR 125# STANDARD FLANGES

Pump	Disch. (INCH)	Inlet (INCH)	A	D	E	G	H	S	X	Y	Z
1P	1.0	1.25	8.50	7.00	6.50	0.55	0.62	2.25	5.00	3.75	4.50



NOTES:

- 1) All Dimension $\pm .13$
- 2) Motor dimensions F, K and DD are NEMA Standard, all other motor dimensions may vary based on motor brand

CONNECTIONS FOR 125# STANDARD FLANGES

Motor Frame	B	* C approx	F	J	K	M	O	AB	BC	DD
143JM	5.94	14.30	4.00	7.00	2.75	0.38	7.12	6.26	8.00	3.50
145JM	3.14	15.30	5.00	7.00	2.75	0.38	7.12	6.26	8.00	3.50
182JM	6.50	16.00	4.50	9.00	3.75	0.63	9.34	7.57	8.75	4.50
184JM	6.97	17.02	5.50	9.00	3.75	0.63	9.34	7.57	8.75	4.50
213JM	8.00	21.56	5.50	10.50	4.25	0.67	10.84	8.58	9.63	5.25
215JM	8.86	21.56	7.00	10.50	4.25	0.67	10.84	8.58	9.63	5.25

Type "P"

Models 1P
Metric (Millimeters)

WEINMAN®

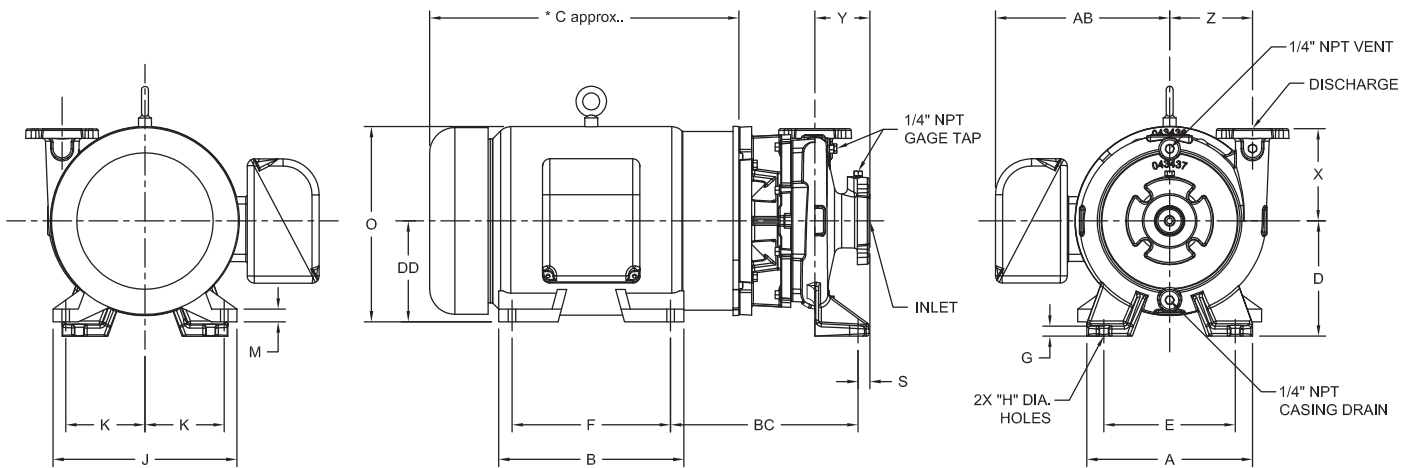
www.cranepumps.com

End Suction Back Pull-Out

PUMP NO.		PUMP:		HP:	
FOR:		TDH:		VOLTS/PHASE:	
CERT. BY:		GPM:		HZ:	
DATE:		PUMP SIZE:		FRAME:	
		RPM:		ENCLOSURE:	

CONNECTIONS FOR 125# STANDARD FLANGES

Pump	Disch. (INCH)	Inlet (INCH)	A	D	E	G	H	S	X	Y	Z
1P	1.0	1.25	216	178	165	14	16	57	127	95	114



NOTES:

- 1) All Dimension \pm 3mm
- 2) Motor dimensions F, K and DD are NEMA Standard, all other motor dimensions may vary based on motor brand

CONNECTIONS FOR 125# STANDARD FLANGES

Motor Frame	B	* C approx	F	J	K	M	O	AB	BC	DD
143JM	151	363	102	178	70	10	181	159	203	89
145JM	80	389	127	178	70	10	181	159	203	89
182JM	165	406	114	229	95	16	237	192	222	114
184JM	177	432	140	229	95	16	237	192	222	114
213JM	203	548	140	267	108	17	275	218	244	133
215JM	225	548	178	267	108	17	275	218	244	133

SECTION 375
PAGE 40
DATE 11/16

CRANE
A Crane Co. Company

PUMPS & SYSTEMS

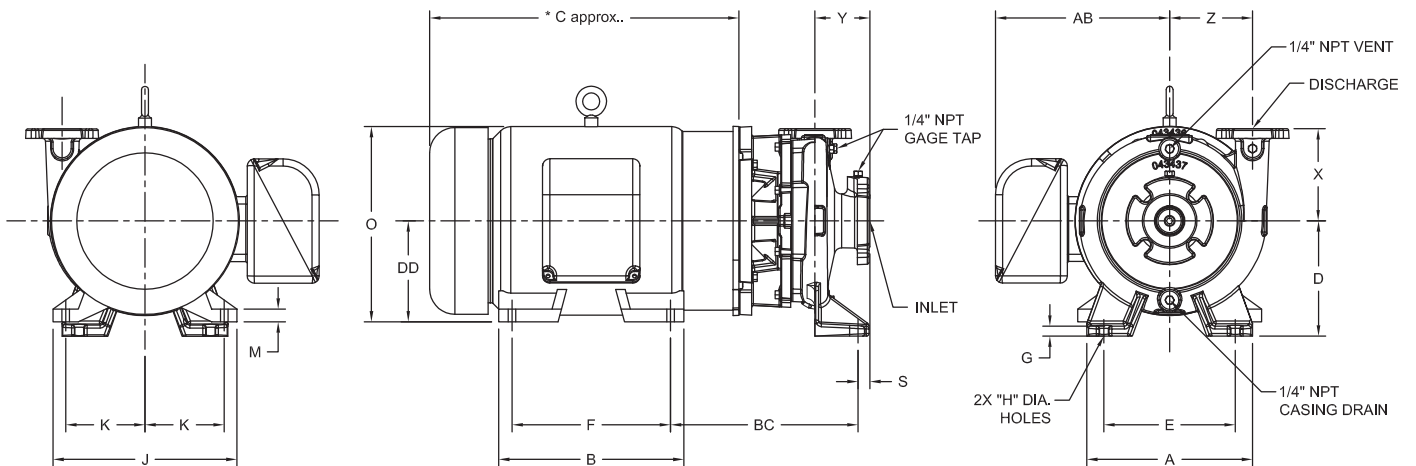
USA: (937) 778-8947 • Canada: (905) 457-6223 • International: (937) 615-3598

End Suction Back Pull-Out

PUMP NO.		PUMP:		HP:	
FOR:		TDH:		VOLTS/PHASE:	
CERT. BY:		GPM:		HZ:	
DATE:		PUMP SIZE:		FRAME:	
		RPM:		ENCLOSURE:	

CONNECTIONS FOR 125# STANDARD FLANGES

Pump	Disch. (INCH)	Inlet (INCH)	A	D	E	G	H	S	X	Y	Z
1.5P	1.5	2.0	8.50	7.00	6.50	0.55	0.62	1.63	6.00	3.13	4.62



NOTES:

- 1) All Dimension $\pm .13$
- 2) Motor dimensions F, K and DD are NEMA Standard, all other motor dimensions may vary based on motor brand

CONNECTIONS FOR 125# STANDARD FLANGES

Motor Frame	B	* C approx	F	J	K	M	O	AB	BC	DD
143JM	5.94	14.30	4.00	7.00	2.75	0.38	7.12	6.26	8.32	3.50
145JM	3.14	15.30	5.00	7.00	2.75	0.38	7.12	6.26	8.32	3.50
182JM	6.50	16.00	4.50	9.00	3.75	0.63	9.34	7.57	9.07	4.50
184JM	6.97	17.02	5.50	9.00	3.75	0.63	9.34	7.57	9.07	4.50
213JM	8.00	21.56	5.50	10.50	4.25	0.67	10.84	8.58	9.95	5.25
215JM	8.86	21.56	7.00	10.50	4.25	0.67	10.84	8.58	9.95	5.25
254JM	11.50	24.37	8.25	12.50	5.00	0.88	12.88	10.48	11.37	6.25
256JM	11.75	26.10	10.00	12.50	5.00	0.88	12.88	10.48	11.37	6.25

Type "P"

Models 1.5P
Metric (Millimeters)

WEINMAN®

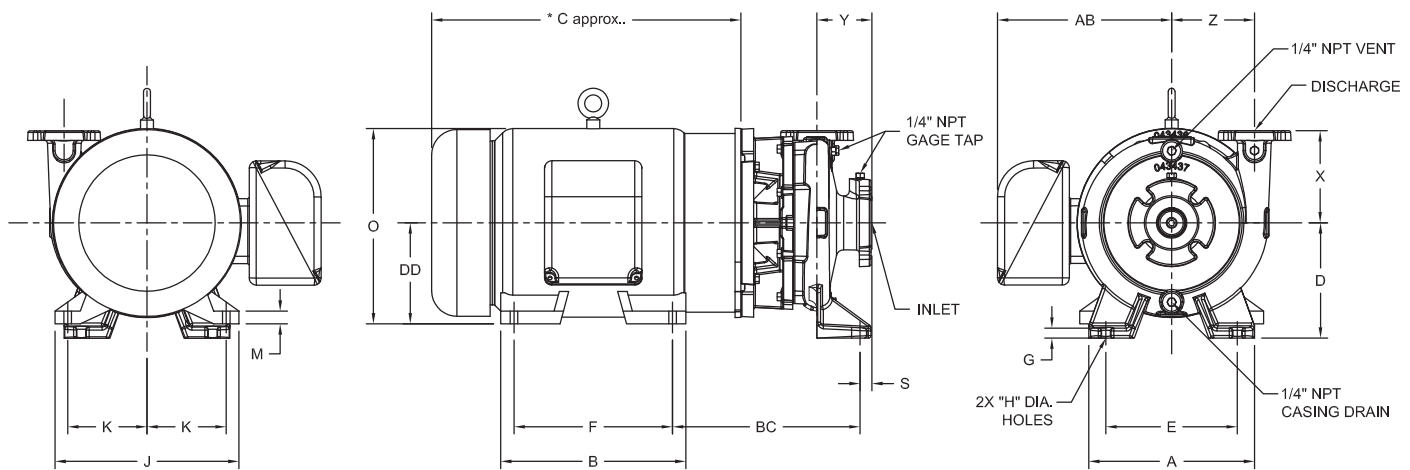
www.cranepumps.com

End Suction Back Pull-Out

PUMP NO.		PUMP:		HP:	
FOR:		TDH:		VOLTS/PHASE:	
CERT. BY:		GPM:		HZ:	
DATE:		PUMP SIZE:		FRAME:	
		RPM:		ENCLOSURE:	

CONNECTIONS FOR 125# STANDARD FLANGES

Pump	Disch. (INCH)	Inlet (INCH)	A	D	E	G	H	S	X	Y	Z
1.5P	1.5	2.0	216	178	165	14	16	41	152	80	117



- NOTES:
- 1) All Dimension \pm 3mm
 - 2) Motor dimensions F, K and DD are NEMA Standard, all other motor dimensions may vary based on motor brand

CONNECTIONS FOR 125# STANDARD FLANGES

Motor Frame	B	* C approx	F	J	K	M	O	AB	BC	DD
143JM	151	363	102	178	70	10	181	159	211	89
145JM	80	389	127	178	70	10	181	159	211	89
182JM	165	406	114	229	95	16	237	192	230	114
184JM	177	432	140	229	95	16	237	192	230	114
213JM	203	548	140	267	108	17	275	218	253	133
215JM	225	548	178	267	108	17	275	218	253	133
254JM	292	619	210	318	127	22	327	266	289	159
256JM	298	663	254	318	127	22	327	266	289	159

SECTION 375
PAGE 42
DATE 11/16

CRANE
A Crane Co. Company

PUMPS & SYSTEMS

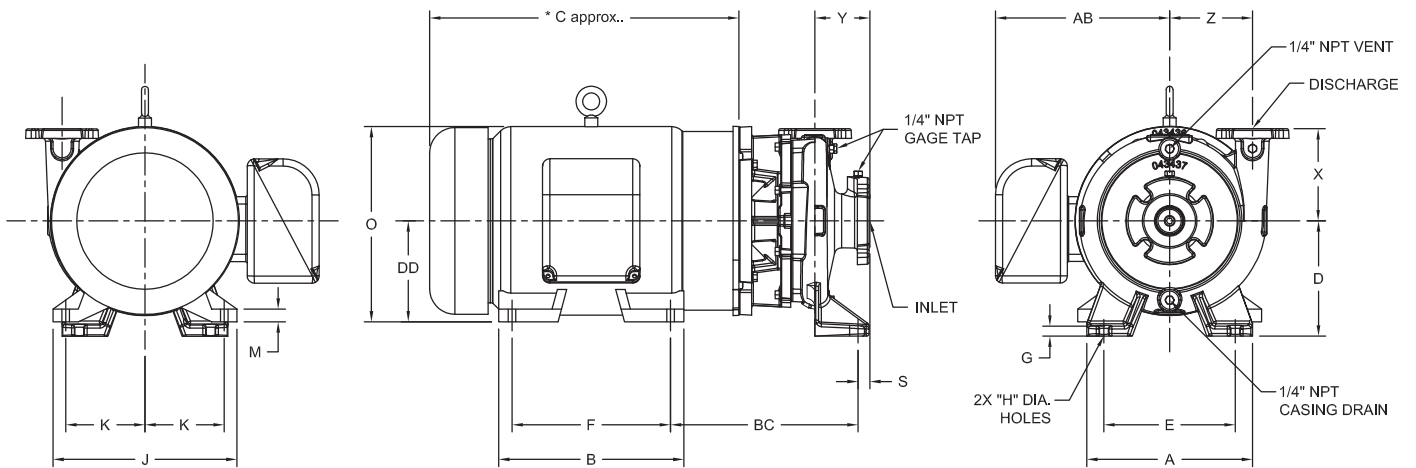
USA: (937) 778-8947 • Canada: (905) 457-6223 • International: (937) 615-3598

End Suction Back Pull-Out

PUMP NO.		PUMP:		HP:	
FOR:		TDH:		VOLTS/PHASE:	
CERT. BY:		GPM:		HZ:	
DATE:		PUMP SIZE:		FRAME:	
		RPM:		ENCLOSURE:	

CONNECTIONS FOR 125# STANDARD FLANGES

Pump	Disch. (INCH)	Inlet (INCH)	A	D	E	G	H	S	X	Y	Z
2P	2.0	2.5	8.50	7.00	6.50	0.55	0.62	2.13	6.50	3.50	4.75



NOTES:

- 1) All Dimension $\pm .13$
- 2) Motor dimensions F, K and DD are NEMA Standard, all other motor dimensions may vary based on motor brand

CONNECTIONS FOR 125# STANDARD FLANGES

Motor Frame	B	* C approx	F	J	K	M	O	AB	BC	DD
143JM	5.94	14.30	4.00	7.00	2.75	0.38	7.12	6.26	8.30	3.50
145JM	3.14	15.30	5.00	7.00	2.75	0.38	7.12	6.26	8.30	3.50
182JM	6.50	16.00	4.50	9.00	3.75	0.63	9.34	7.57	9.05	4.50
184JM	6.97	17.02	5.50	9.00	3.75	0.63	9.34	7.57	9.05	4.50
213JM	8.00	21.56	5.50	10.50	4.25	0.67	10.84	8.58	9.93	5.25
215JM	8.86	21.56	7.00	10.50	4.25	0.67	10.84	8.58	9.93	5.25
254JM	11.50	24.37	8.25	12.50	5.00	0.88	12.88	10.48	11.35	6.25
256JM	11.75	26.10	10.00	12.50	5.00	0.88	12.88	10.48	11.35	6.25
284JM	12.84	27.17	9.50	14.00	5.50	1.02	14.63	13.13	11.35	7.00
286JM	13.75	28.70	11.00	14.00	5.50	1.02	14.63	13.13	11.35	7.00
324JM	14.00	28.15	10.50	16.00	6.25	1.30	16.50	14.13	11.85	8.00

Type "P"

Models 2P
Metric (Millimeters)

WEINMAN®

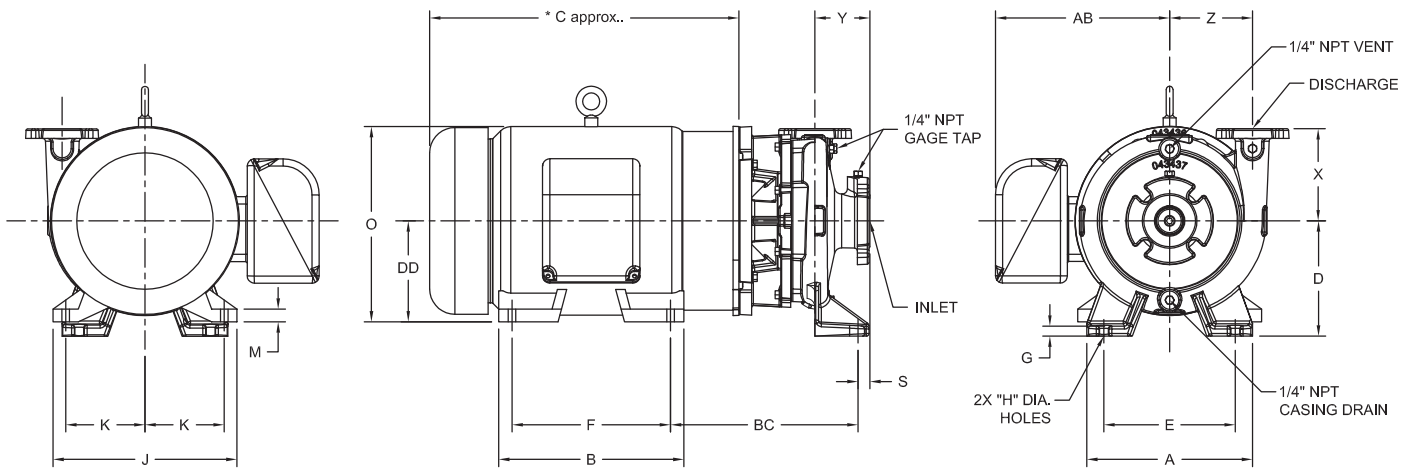
www.cranepumps.com

End Suction Back Pull-Out

PUMP NO.		PUMP:		HP:	
FOR:		TDH:		VOLTS/PHASE:	
CERT. BY:		GPM:		HZ:	
DATE:		PUMP SIZE:		FRAME:	
		RPM:		ENCLOSURE:	

CONNECTIONS FOR 125# STANDARD FLANGES

Pump	Disch. (INCH)	Inlet (INCH)	A	D	E	G	H	S	X	Y	Z
2P	2.0	2.5	216	55	165	14	16	54	165	89	121



NOTES:

- 1) All Dimension \pm 3mm
- 2) Motor dimensions F, K and DD are NEMA Standard, all other motor dimensions may vary based on motor brand

CONNECTIONS FOR 125# STANDARD FLANGES

Motor Frame	B	* C approx	F	J	K	M	O	AB	BC	DD
143JM	151	363	102	178	70	10	181	159	211	89
145JM	80	389	127	178	70	10	181	159	211	89
182JM	165	406	114	229	95	16	237	192	230	114
184JM	177	432	140	229	95	16	237	192	230	114
213JM	203	548	140	267	108	17	275	218	252	133
215JM	225	548	178	267	108	17	275	218	252	133
254JM	292	619	210	318	127	22	327	266	288	159
256JM	298	663	254	318	127	22	327	266	288	159
284JM	326	690	241	356	140	26	372	334	288	178
286JM	349	729	279	356	140	26	372	334	288	178
324JM	356	715	267	406	159	33	419	359	301	203

SECTION 375
PAGE 44
DATE 11/16

CRANE
A Crane Co. Company

PUMPS & SYSTEMS

A Crane Co. Company

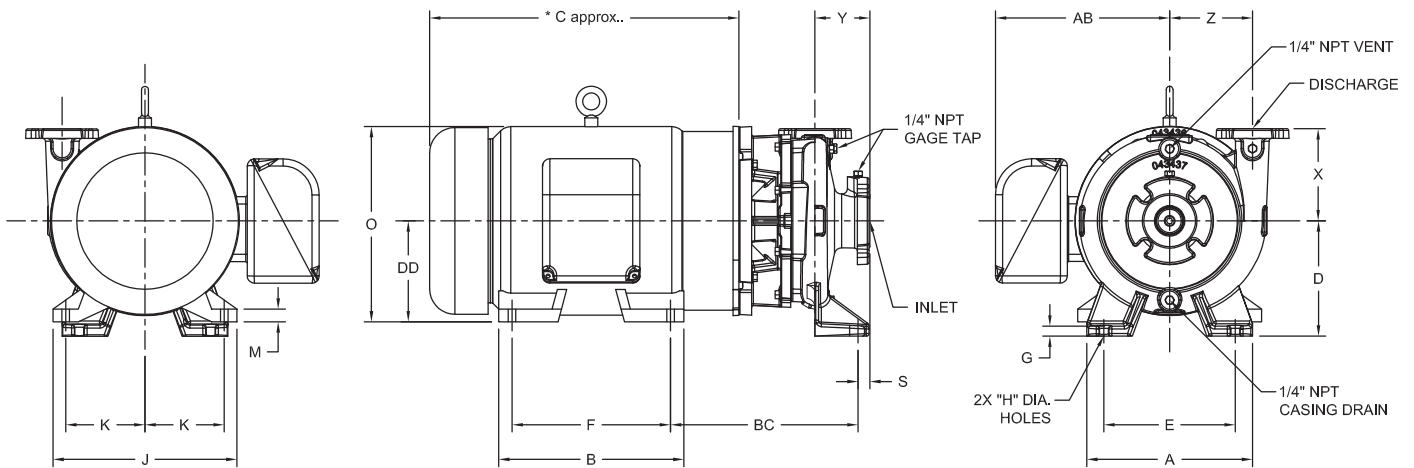
USA: (937) 778-8947 • Canada: (905) 457-6223 • International: (937) 615-3598

End Suction Back Pull-Out

PUMP NO.			PUMP:				HP:			
FOR:			TDH:				VOLTS/PHASE:			
CERT. BY:			DATE:				HZ:			
			PUMP SIZE:				FRAME:			
			RPM:				ENCLOSURE:			

CONNECTIONS FOR 125# STANDARD FLANGES

Pump	Disch. (INCH)	Inlet (INCH)	A	D	E	G	H	S	X	Y	Z
2.5P	2.5	3.0	8.50	7.00	6.50	0.55	0.62	2.75	6.00	4.25	4.69



NOTES:

- 1) All Dimension $\pm .13$
- 2) Motor dimensions F, K and DD are NEMA Standard, all other motor dimensions may vary based on motor brand

CONNECTIONS FOR 125# STANDARD FLANGES

Motor Frame	B	* C approx	F	J	K	M	O	AB	BC	DD
143JM	5.94	14.30	4.00	7.00	2.75	0.38	7.12	6.26	8.46	3.50
145JM	3.14	15.30	5.00	7.00	2.75	0.38	7.12	6.26	8.46	3.50
182JM	6.50	16.00	4.50	9.00	3.75	0.63	9.34	7.57	9.21	4.50
184JM	6.97	17.02	5.50	9.00	3.75	0.63	9.34	7.57	9.21	4.50
213JM	8.00	21.56	5.50	10.50	4.25	0.67	10.84	8.58	10.09	5.25
215JM	8.86	21.56	7.00	10.50	4.25	0.67	10.84	8.58	10.09	5.25
254JM	11.50	24.37	8.25	12.50	5.00	0.88	12.88	10.48	11.51	6.25
256JM	11.75	26.10	10.00	12.50	5.00	0.88	12.88	10.48	11.51	6.25
284JM	12.84	27.17	9.50	14.00	5.50	1.02	14.63	13.13	11.51	7.00
286JM	13.75	28.70	11.00	14.00	5.50	1.02	14.63	13.13	11.51	7.00
324JM	14.00	28.15	10.50	16.00	6.25	1.30	16.50	14.13	12.01	8.00



Type "P"

Models 2.5P
Metric (Millimeters)

WEINMAN®

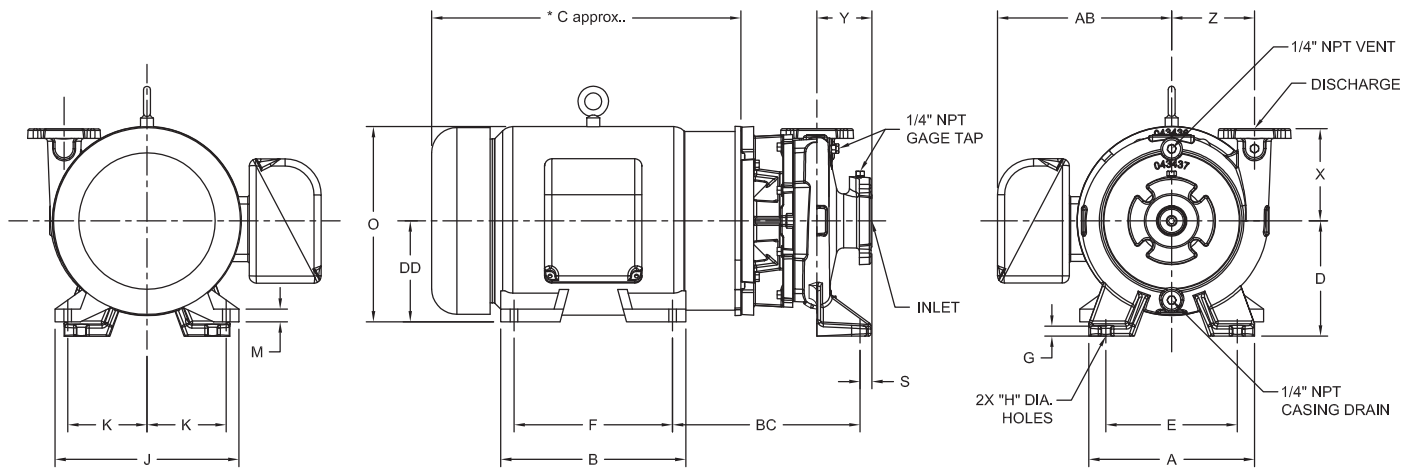
www.cranepumps.com

End Suction Back Pull-Out

PUMP NO.		PUMP:		HP:	
FOR:		TDH:		VOLTS/PHASE:	
CERT. BY:		GPM:		HZ:	
DATE:		PUMP SIZE:		FRAME:	
		RPM:		ENCLOSURE:	

CONNECTIONS FOR 125# STANDARD FLANGES

Pump	Disch. (INCH)	Inlet (INCH)	A	D	E	G	H	S	X	Y	Z
2.5P	2.5	3.0	216	178	165	14	16	70	152	108	119



- NOTES:
- 1) All Dimension \pm 3mm
 - 2) Motor dimensions F, K and DD are NEMA Standard, all other motor dimensions may vary based on motor brand

CONNECTIONS FOR 125# STANDARD FLANGES

Motor Frame	B	* C approx	F	J	K	M	O	AB	BC	DD
143JM	151	363	102	178	70	10	181	159	215	89
145JM	80	389	127	178	70	10	181	159	215	89
182JM	165	406	114	229	95	16	237	192	234	114
184JM	177	432	140	229	95	16	237	192	234	114
213JM	203	548	140	267	108	17	275	218	256	133
215JM	225	548	178	267	108	17	275	218	256	133
254JM	292	619	210	318	127	22	327	266	292	159
256JM	298	663	254	318	127	22	327	266	292	159
284JM	326	690	241	356	140	26	372	334	292	178
286JM	349	729	279	356	140	26	372	334	292	178
324JM	356	715	267	406	159	33	419	359	305	203

SECTION 375
PAGE 46
DATE 11/16

CRANE
A Crane Co. Company

PUMPS & SYSTEMS

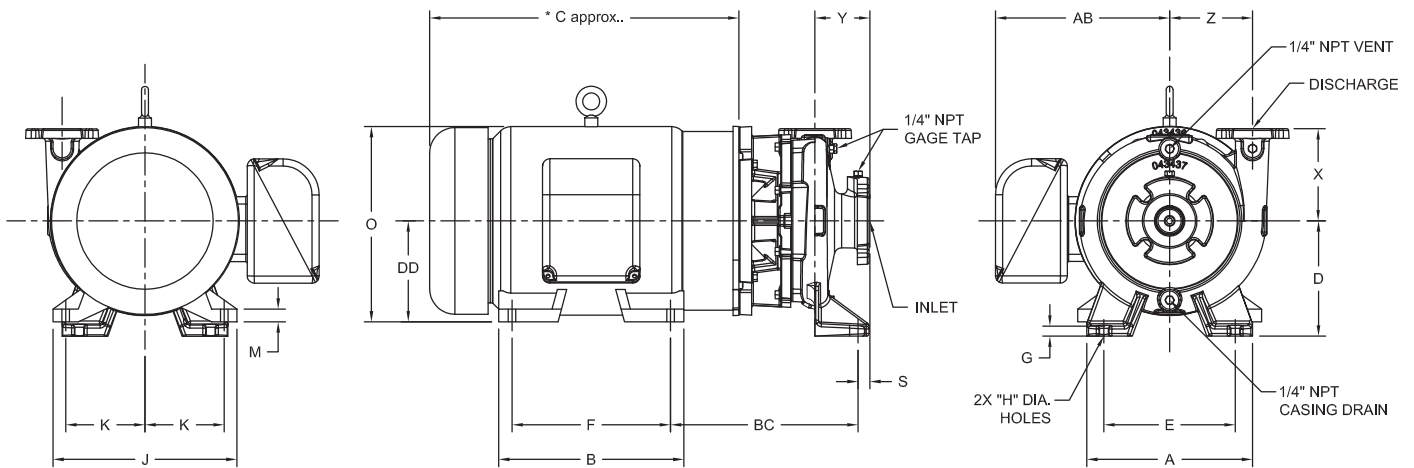
USA: (937) 778-8947 • Canada: (905) 457-6223 • International: (937) 615-3598

End Suction Back Pull-Out

PUMP NO.				PUMP:				HP:			
FOR:				TDH:				VOLTS/PHASE:			
CERT. BY:				DATE:				HZ:			
				PUMP SIZE:				FRAME:			
				RPM:				ENCLOSURE:			

CONNECTIONS FOR 125# STANDARD FLANGES

Pump	Disch. (INCH)	Inlet (INCH)	A	D	E	G	H	S	X	Y	Z
3P	3.0	4.0	8.50	7.00	6.50	0.55	0.62	2.75	6.00	4.13	5.00



NOTES:

- 1) All Dimension $\pm .13$
- 2) Motor dimensions F, K and DD are NEMA Standard, all other motor dimensions may vary based on motor brand

CONNECTIONS FOR 125# STANDARD FLANGES

Motor Frame	B	* C approx	F	J	K	M	O	AB	BC	DD
143JM	5.94	14.30	4.00	7.00	2.75	0.38	7.12	6.26	8.46	3.50
145JM	3.14	15.30	5.00	7.00	2.75	0.38	7.12	6.26	8.46	3.50
182JM	6.50	16.00	4.50	9.00	3.75	0.63	9.34	7.57	9.21	4.50
184JM	6.97	17.02	5.50	9.00	3.75	0.63	9.34	7.57	9.21	4.50
213JM	8.00	21.56	5.50	10.50	4.25	0.67	10.84	8.58	10.09	5.25
215JM	8.86	21.56	7.00	10.50	4.25	0.67	10.84	8.58	10.09	5.25
254JM	11.50	24.37	8.25	12.50	5.00	0.88	12.88	10.48	11.51	6.25
256JM	11.75	26.10	10.00	12.50	5.00	0.88	12.88	10.48	11.51	6.25
284JM	12.84	27.17	9.50	14.00	5.50	1.02	14.63	13.13	11.51	7.00
286JM	13.75	28.70	11.00	14.00	5.50	1.02	14.63	13.13	11.51	7.00
324JM	14.00	28.15	10.50	16.00	6.25	1.30	16.50	14.13	12.01	8.00

Type "P"

Models 3P
Metric (Millimeters)

WEINMAN®

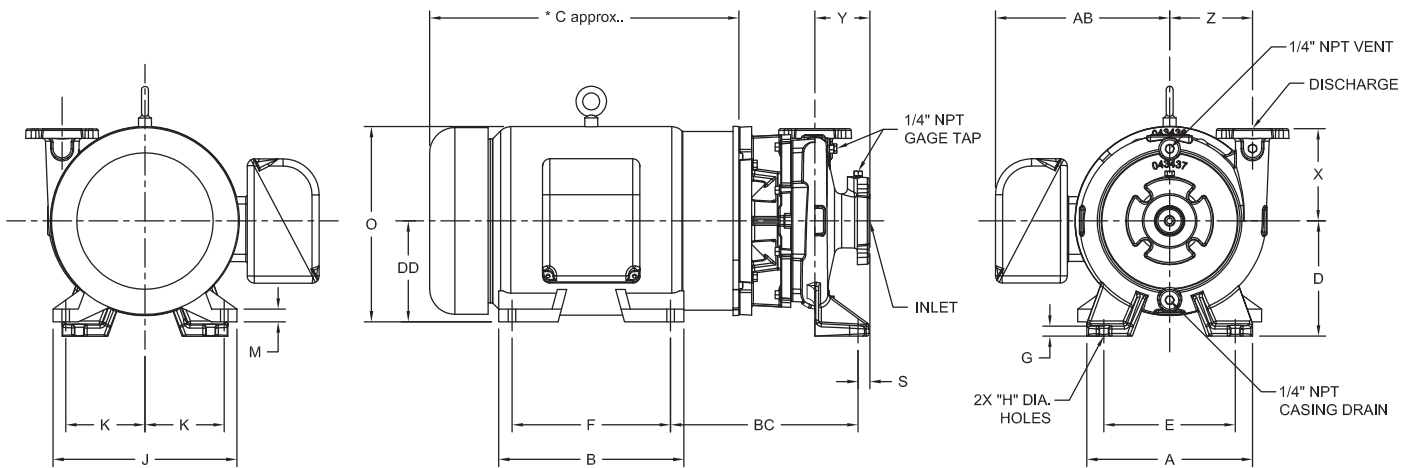
www.cranepumps.com

End Suction Back Pull-Out

PUMP NO.		PUMP:		HP:	
FOR:		TDH:		VOLTS/PHASE:	
CERT. BY:		GPM:		HZ:	
DATE:		PUMP SIZE:		FRAME:	
		RPM:		ENCLOSURE:	

CONNECTIONS FOR 125# STANDARD FLANGES

Pump	Disch. (INCH)	Inlet (INCH)	A	D	E	G	H	S	X	Y	Z
3P	3.0	4.0	216	178	165	14	16	70	152	105	127



NOTES:

- 1) All Dimension \pm 3mm
- 2) Motor dimensions F, K and DD are NEMA Standard, all other motor dimensions may vary based on motor brand

CONNECTIONS FOR 125# STANDARD FLANGES

Motor Frame	B	* C approx	F	J	K	M	O	AB	BC	DD
143JM	151	363	102	178	70	10	181	159	215	89
145JM	80	389	127	178	70	10	181	159	215	89
182JM	165	406	114	229	95	16	237	192	234	114
184JM	177	432	140	229	95	16	237	192	234	114
213JM	203	548	140	267	108	17	275	218	256	133
215JM	225	548	178	267	108	17	275	218	256	133
254JM	292	619	210	318	127	22	327	266	292	159
256JM	298	663	254	318	127	22	327	266	292	159
284JM	326	690	241	356	140	26	372	334	292	178
286JM	349	729	279	356	140	26	372	334	292	178
324JM	356	715	267	406	159	33	419	359	305	203

SECTION 375
PAGE 48
DATE 11/16

CRANE
A Crane Co. Company

PUMPS & SYSTEMS

A Crane Co. Company

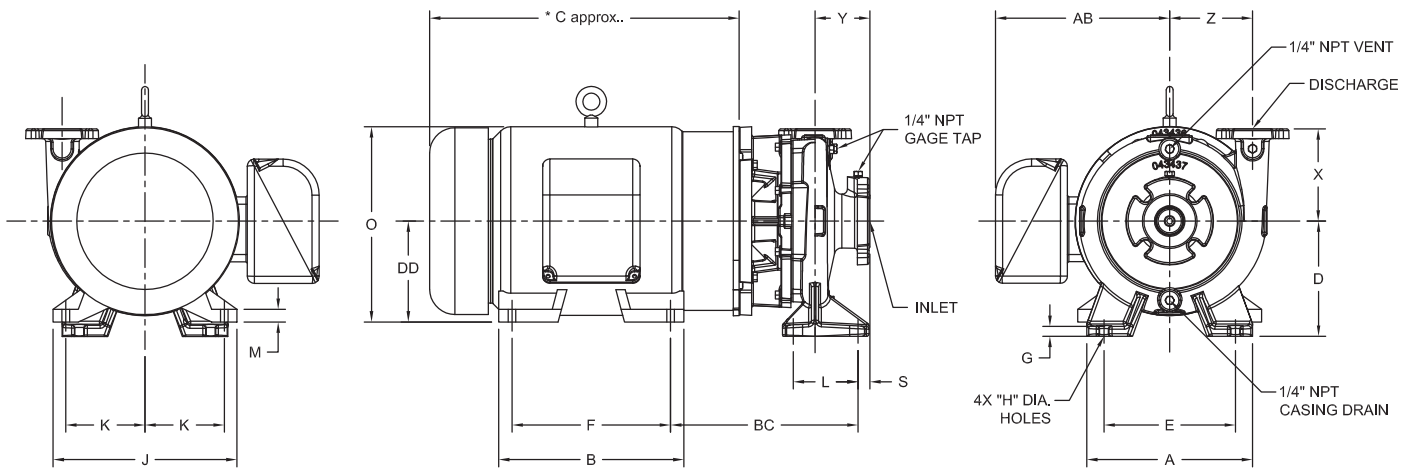
USA: (937) 778-8947 • Canada: (905) 457-6223 • International: (937) 615-3598

End Suction Back Pull-Out

PUMP NO.				PUMP:				HP:			
FOR:				TDH:				VOLTS/PHASE:			
CERT. BY:				DATE:				HZ:			
				PUMP SIZE:				FRAME:			
				RPM:				ENCLOSURE:			

CONNECTIONS FOR 125# STANDARD FLANGES

Pump	Disch. (INCH)	Inlet (INCH)	A	D	E	G	H	L	S	X	Y	Z
4P	4.00	5.00	11.50	8.00	9.12	0.85	0.62	4.25	2.88	7.50	4.94	5.75



NOTES:

- 1) All Dimension $\pm .13$
- 2) Motor dimensions F, K and DD are NEMA Standard, all other motor dimensions may vary based on motor brand

CONNECTIONS FOR 125# STANDARD FLANGES

Motor Frame	B	* C approx	F	J	K	M	O	AB	BC	DD
143JM	5.94	14.30	4.00	7.00	2.75	0.38	7.12	6.26	9.46	3.50
145JM	3.14	15.30	5.00	7.00	2.75	0.38	7.12	6.26	9.46	3.50
182JM	6.50	16.00	4.50	9.00	3.75	0.63	9.34	7.57	10.21	4.50
184JM	6.97	17.02	5.50	9.00	3.75	0.63	9.34	7.57	10.21	4.50
213JM	8.00	21.56	5.50	10.50	4.25	0.67	10.84	8.58	11.21	5.25
215JM	8.86	21.56	7.00	10.50	4.25	0.67	10.84	8.58	11.21	5.25
254JM	11.50	24.37	8.25	12.50	5.00	0.88	12.88	10.48	12.63	6.25
256JM	11.75	26.10	10.00	12.50	5.00	0.88	12.88	10.48	12.63	6.25
284JM	12.84	27.17	9.50	14.00	5.50	1.02	14.63	13.13	12.63	7.00
286JM	13.75	28.70	11.00	14.00	5.50	1.02	14.63	13.13	12.63	7.00
324JM	14.00	28.15	10.50	16.00	6.25	1.30	16.50	14.13	13.13	8.00
326JM	14.57	29.65	12.00	16.00	6.25	1.30	16.50	14.13	13.13	8.00

Type "P"

Models 4P
Metric (Millimeters)

WEINMAN®

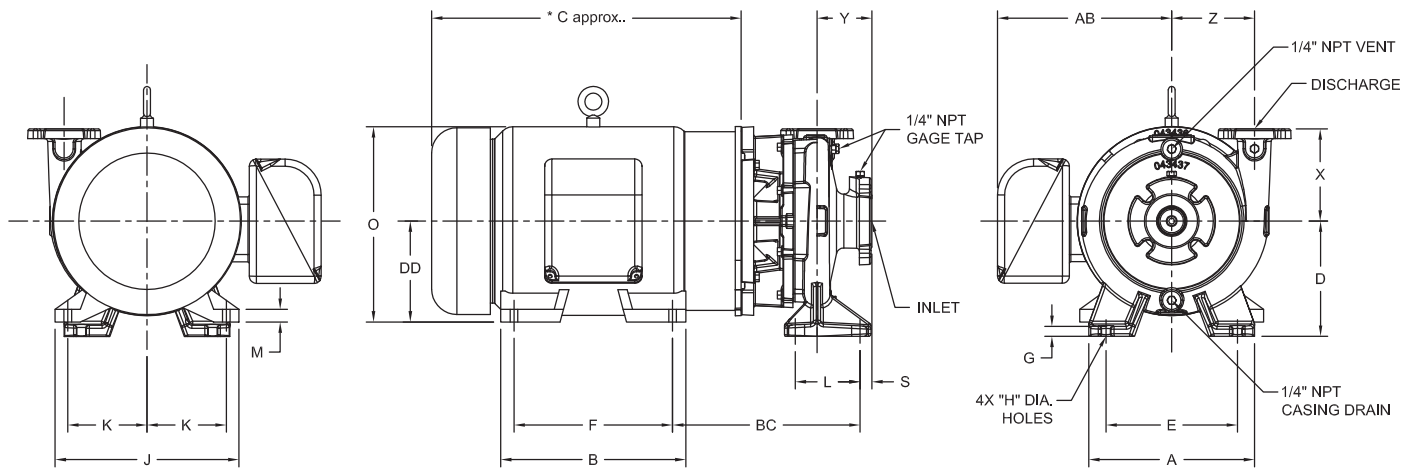
www.cranepumps.com

End Suction Back Pull-Out

PUMP NO.		PUMP:		HP:	
FOR:		TDH:		VOLTS/PHASE:	
CERT. BY:		GPM:		HZ:	
DATE:		PUMP SIZE:		FRAME:	
		RPM:		ENCLOSURE:	

CONNECTIONS FOR 125# STANDARD FLANGES

Pump	Disch. (INCH)	Inlet (INCH)	A	D	E	G	H	L	S	X	Y	Z
4P	4.00	5.00	292	203	232	22	16	108	73	191	125	146



NOTES:

- 1) All Dimension \pm 3mm
- 2) Motor dimensions F, K and DD are NEMA Standard, all other motor dimensions may vary based on motor brand

CONNECTIONS FOR 125# STANDARD FLANGES

Motor Frame	B	* C approx	F	J	K	M	O	AB	BC	DD
143JM	151	363	102	178	70	10	181	159	240	89
145JM	80	389	127	178	70	10	181	159	240	89
182JM	165	406	114	229	95	16	237	192	259	114
184JM	177	432	140	229	95	16	237	192	259	114
213JM	203	548	140	267	108	17	275	218	285	133
215JM	225	548	178	267	108	17	275	218	285	133
254JM	292	619	210	318	127	22	327	266	321	159
256JM	298	663	254	318	127	22	327	266	321	159
284JM	326	690	241	356	140	26	372	334	321	178
286JM	349	729	279	356	140	26	372	334	321	178
324JM	356	715	267	406	159	33	419	359	334	203
326JM	370	753	305	406	159	33	419	359	334	203

SECTION 375
PAGE 50
DATE 11/16

CRANE
A Crane Co. Company

PUMPS & SYSTEMS