

# PENTEK® SURGE PROTECTION KITS

## 240 VAC Protection for PENTEK Drives

Surge protection device for use with any 230V PENTEK Drive. Line side arrester easily installed in the circuit breaker. Load side installed on the drive output. LED Diagnostic lights help provide positive indication of power and surge protection.\*

### **VFD-SGA: Surge Protection Kit (includes line & load side)**

### **VFD-SGA-LN: Line Side Surge Protection**

### **VFD-SGA-LD: Load Side Surge Protection**

#### **FEATURES**

- Compact size to fit most applications
- Diagnostic LEDs to indicate system power & surge protection
- Weatherproof design allows for use in most environments
- Service Voltage: 240 VAC (line side);  
240VAC (Load side)
- Parallel connection for easy installation
- Auto reset to handle multiple surges



\*Surge protection devices cannot protect against direct hits from lightning, but these devices will help prevent damaging indirect strikes and voltage fluctuation.

# PENTEK® SURGE PROTECTION KITS

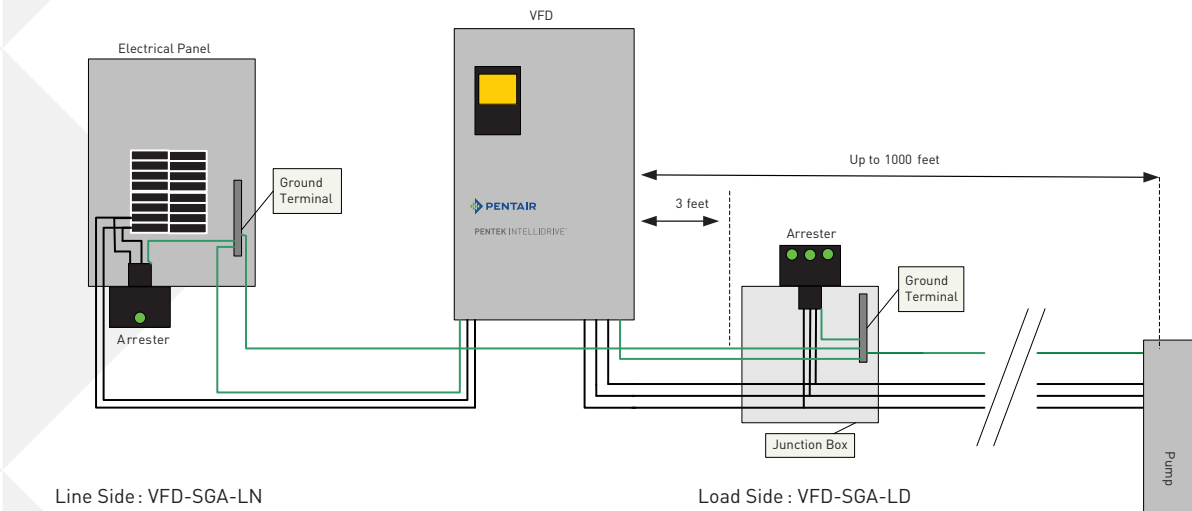
## Line Side:

| Service Wiring           | Peak Surge Current            | MCOV     | UL 1449, 3rd Ed, V.P.R. | Short Circuit Rating | UL 1449, 3rd Ed. I <sub>n</sub> V.P.R. |
|--------------------------|-------------------------------|----------|-------------------------|----------------------|--|
| Two Power Cords + Ground | 72,000A/Phase<br>36,000A/Mode | 130/260V | 500V L-G,<br>900V L-L   | 10,000A              | 10,000A                                |

## Load Side:

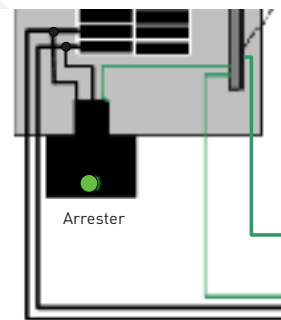
| Service Wiring             | Peak Surge Current | MCOV |
|----------------------------|--------------------|------|
| Three Power Cords + Ground | 75,000A            | 320V |

**PENTEK INTELLIDRIVE Surge Arrester Connection Diagram**



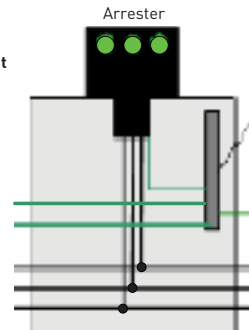
Line Side: VFD-SGA-LN

Load Side: VFD-SGA-LD



**There must be no power applied to the drive when installing the surge arresters. Before installing the line and the load surge arresters the circuit breaker must be in the off position.**

**NOTE:**  
The load side arrester must be mounted in a junction box (not provided) and must be at **least** 3 feet away from the drive. There must be 3 feet of wire from the output of the drive to the junction box.



**NOTE:**  
Make load side connections according to the diagram for 3-wire and 3 phase motors.

For 2-wire motors connect only 2 of the arrester wires and put a wire nut on the extra arrester wire.

