

# Residential Biotube® Effluent Filters

## Applications

Our patented\* 4-inch (100-mm) Biotube Effluent Filters, Biotube Jr., Biotube Base Inlet Filters, and Biotube Insert Filters are ideal for residential septic tanks and have a lifetime warranty. They prevent large solids from leaving the tank, dramatically improving wastewater quality and extending the life of residential drainfields.

4-inch (100-mm) Biotube Effluent Filter



4-inch (100-mm) Biotube Jr.  
(4-inch Biotube cartridge available separately as Insert Filter)



8-inch (200-mm) Base Inlet Filter



4-inch (100-mm) Insert Filter



Orenco's superior effluent filters resist clogging better than all other brands. Our standard, full-sized 4-inch (100-mm) Biotube Effluent Filter provides maximum long-term protection in a complete package, with housing. Our 4-inch (100-mm) Biotube Jr., at half the size of our standard model, has more filtering capacity than the full-sized filters sold by other manufacturers. For low-profile tanks, there's the Base Inlet Filter. And for tanks with existing outlet tees, the Biotube Insert Filter is ideal.

\* Covered by patent numbers 5,492,635 and 4,439,323

## To Order

Call your nearest Orenco Systems®, Inc. Distributor. For nearest Distributor, call Orenco at 800-348-9843, or visit [www.orenco.com](http://www.orenco.com) and click on "Where to Buy."

## Standard Features & Benefits

- Has 5-10 times more flow area than other brands, so lasts many times longer between cleanings, increasing homeowner satisfaction
- Installs in minutes inside new or existing tanks; extendible tee handle for easy removal
- Easy to clean by simply hosing off whenever the tank needs pumping
- Removes about two-thirds of suspended solids, on average, extending drainfield life
- Corrosion-proof construction, to ensure long life
- Lifetime warranty

## Optional Features & Benefits

- Alarm available, to signal the need for cleaning
- Flow modulating discharge orifices available to limit flow rate leaving tank, mitigating surges and increasing retention time
- Custom and commercial sizes available

## Biotube Filtering Process

Effluent from the relatively clear zone of the septic tank, between the scum and sludge layers, horizontally enters the Biotube Effluent Filter. Effluent then enters the annular space between the housing and the Biotubes, utilizing the Biotubes' entire surface for filtering. Particles larger than the Biotube's mesh are prevented from leaving the tank.

### Model Codes for Ordering

#### 4-inch (100-mm) Biotube Filter (standard)

FT   04  -  -

Flow modulator and float switch bracket options:  
Blank = no options selected  
M = flow modulation plate installed  
A = float switch bracket installed

Cartridge height, in. (mm):  
28 = 28 (711), standard  
36 = 36 (914), standard

Filter housing height, in. (mm):  
36 = 36 (914), standard  
44 = 44 (1118), standard

4-in. (100-mm) filter diameter

Outlet tee:

W = fits Type 3034 outlet tee  
S = fits Schedule 40 outlet tee

Filter mesh option:

Blank = 1/8-in. (3-mm) filter mesh  
P = 1/16-in. (1.6-mm) filter mesh

Biotube® effluent filter

#### 8-inch (200-mm) Biotube Filter (base inlet model)

FT   22 - 14 B

Float switch bracket and overflow plate options:  
Blank = no options selected  
A = float switch elbow installed  
FSO = overflow plate installed

Base inlet model

Cartridge height, in. (mm):  
14 = 14 (356), standard

Filter housing height, in. (mm):  
22 = 22 (558), standard

Filter diameter, in. (mm):  
08 = 8 (200)  
12 = 12 (300)

Filter mesh option:

Blank = 1/8-in. (3-mm) filter mesh  
P = 1/16-in. (1.6-mm) filter mesh

Biotube® effluent filter

#### 4-inch (100-mm) Biotube Jr. (includes cartridge and housing)

FT J   04 18

Flow modulator and float switch bracket options:  
Blank = no options selected  
M = flow modulation plate installed  
A = float switch bracket installed

18-in. (457-mm) cartridge height

4-in. (100-mm) filter diameter

Outlet tee:

W = fits Type 3034 outlet tee  
S = fits Schedule 40 outlet tee

Filter mesh option:

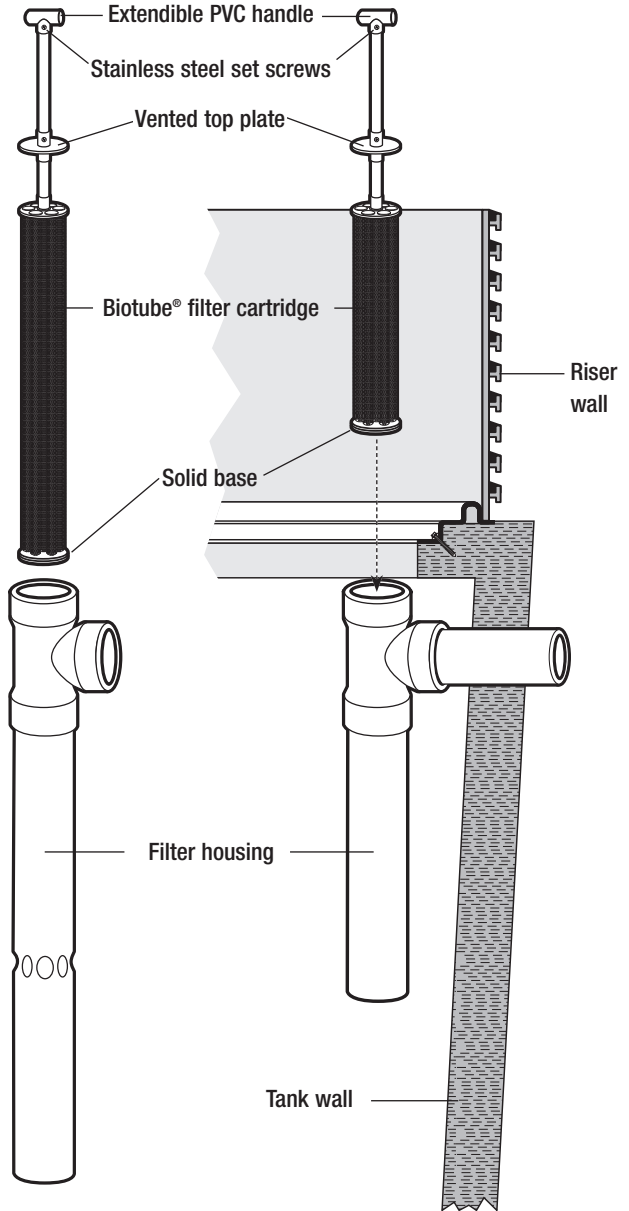
Blank = 1/8-in. (3-mm) filter mesh  
P = 1/16-in. (1.6-mm) filter mesh

Junior series

Biotube® effluent filter

#### 4-inch (100-mm) Biotube Effluent Filter

#### 4-inch (100-mm) Biotube Jr.



#### 4-inch (100-mm) Biotube Filter Insert (cartridge only)

FT i   0418 -  -

For customized options (e.g., NC indicates North Carolina regions)

W = fits 3034 outlet pipe  
S = fits schedule 40 outlet pipe

Cartridge height (inches)

Indicates filter diameter (inches)

P = 1/16" filtration  
Blank = 1/8" filtration

Insert series

Biotube effluent filter series