

PRO-SOURCE® Pumper Series

Engine-driven pumps



Lightweight, corrosion-resistant, engineered composite pump construction make this engine-driven pump extremely versatile for applications where electrical power is not available.

Powered by a powerful 6-1/2 HP, PowerPro 4-cycle gasoline engine, rated for continuous-duty, equipped with professional-grade features like an automatic low-oil safety cut, manual throttle, choke and shut-off controls.

Securely mounted within a rugged steel framed rollcage, reinforced with steel cross-members, coated for corrosion resistance, equipped with noise-dampening, non-slip rubber feet.

Suction lift capability of 25 feet.

APPLICATIONS

Water Transfer and Supply
 Sprinkler Turf Irrigation
 Dewatering
 Fire Protection
 Agriculture, Light Commercial and Marine

SPECIFICATIONS

Body: Reinforced corrosion-resistant thermoplastic
Impeller: Polymer
Diffuser: Reinforced corrosion-resistant thermoplastic
Seals: Viton mechanical
O-rings: Viton
Check Valve: Viton
Rollcage: Coated steel frame with cross-member and stay-in-place (no-slip) rubber feet
Engine: 6-1/2 HP
Dimensions: 21"H x 17"D x 21"L
Fasteners: 300 grade stainless steel

FEATURES

Rugged Lightweight Design
 Corrosion-Resistant Composite Pump Construction
 Chemical-Resistant Viton Seals, O-rings with Stainless Steel Fasteners
 Built-in Check Valve

ACCESSORIES

Suction Hose Kit: Built-in 2" NPTF swivel fitting and 2" NPTM fitting for easy hookup; coil-reinforced wall prevents collapse; includes aluminum suction screen to prevent debris from reaching pump
Discharge Hose Kit: Built-in 2" NPTF swivel fitting and 2" NPTM fitting for easy hookup; collapsible for easy roll-up and storage; reinforced wall adds durability

ORDERING INFORMATION

Catalog Number	HP	Description	Pipe Tapping Sizes		Approx. Wt. Lbs./Kg
			Suction	Discharge	
EDP55RV	6-1/2	Engine-driven pump w/rollcage	2" NPT	2" NPT	46/20.9

ACCESSORIES

Catalog Number	Description	Approx. Wt. Lbs./Kg
FP2735	2" x 15' Suction Hose Kit	15/6.8
FP2731	2" x 25' Discharge Hose Kit	6/2.7



FP2735
Suction
Hose Kit

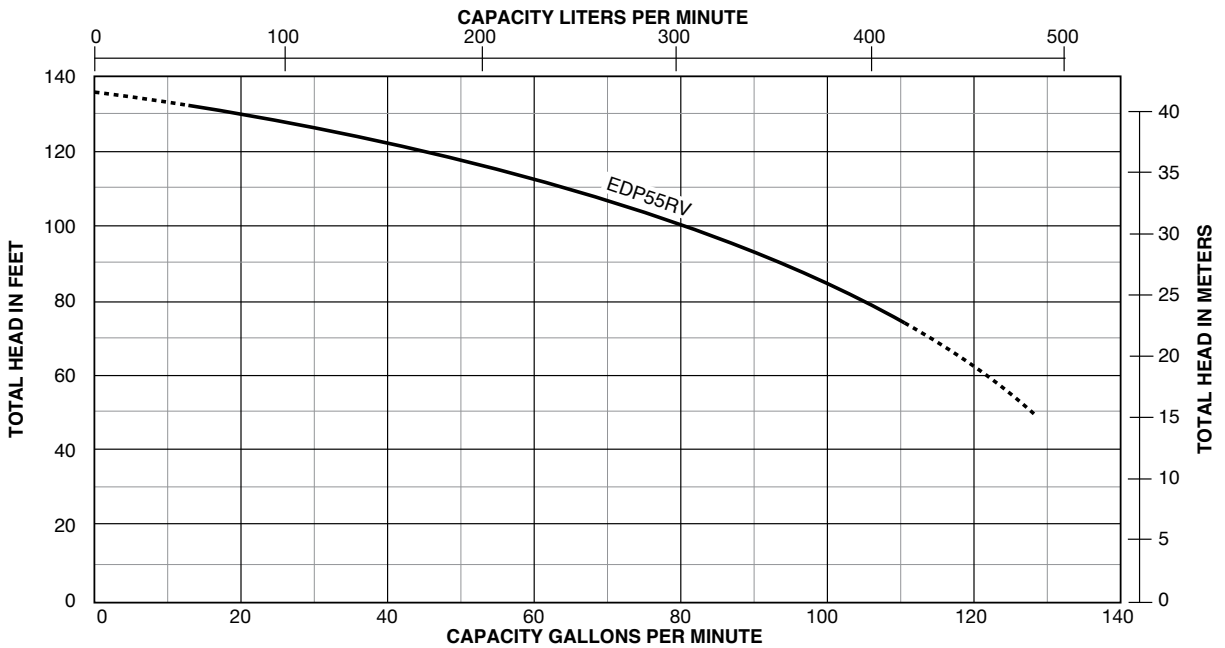


FP2731
Discharge
Hose Kit

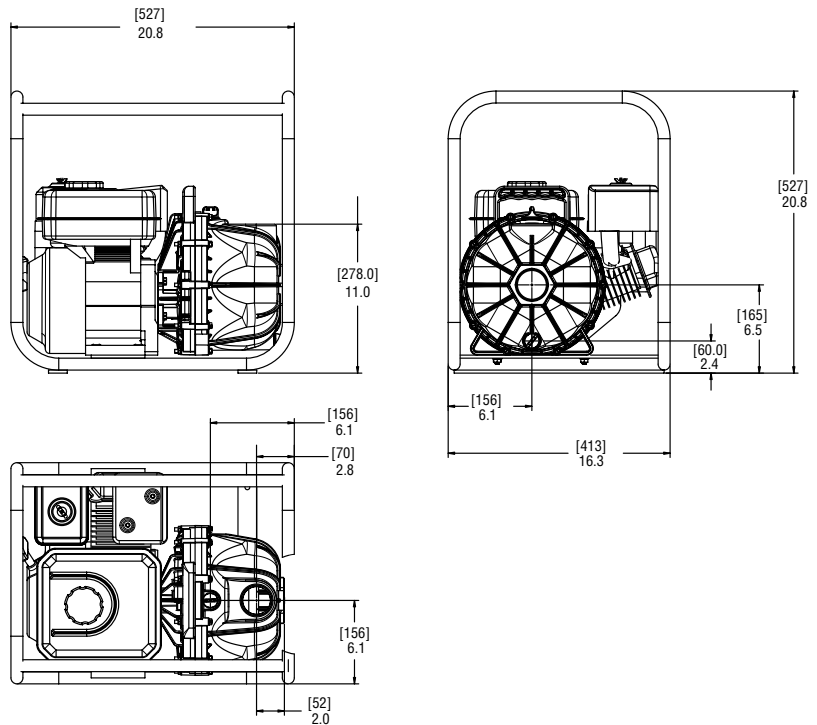
PRO-SOURCE® Pumper Series

Engine-driven pumps

PUMP PERFORMANCE



OUTLINE DIMENSIONS



US: 293 WRIGHT STREET, DELAVAN, WI 53115 WWW.STA-RITE.COM PH: 888-782-7483 ORDERS FAX: 800-426-9446
 CANADA: 490 PINEBUSH ROAD, UNIT 4, CAMBRIDGE, ONTARIO N1T 0A5 PH: 800-363-7867 ORDERS FAX: 888-606-5484
 Because we are continuously improving our products and services, Pentair reserves the right to change specifications without prior notice.