

# 4" SUBMERSIBLE MOTORS

These motors are built for dependable operation in 4" diameter or larger water wells.

## BASIC FEATURES

- Corrosion-resistant stainless steel exterior
- Stainless steel splined shaft
- Hermetically-sealed windings
- StatorShield™ resin system
- Filter check valve
- Water lubrication
- Kingsbury-type thrust bearing
- Pressure-equalizing diaphragm
- Built-in lightning arrestors (all single-phase; 200 & 300 V three-phase)
- Removable Water-Bloc™ lead
- Franklin-manufactured control boxes available for single-phase motors
- UL 778 recognized (North American voltages)
- CSA certified
- ANSI/NSF 61 certified
- Industry standard NEMA mounting dimensions



## SPECIAL FEATURES

- Flow inducer sleeve not required in water up to 86 °F (30 °C) for motors through 2 hp
- Two-wire motors are split-phase designs with integral starting components and do not require a control box; features Franklin's patented 2-wire BIAC starting switch, which provides reverse impact torque to aid starting in adverse environments and prevents extreme fast cycling (e.g. water-logged tank)
- Three-wire motors through 1 hp use Franklin's exclusive three-wire QD (Quick Disconnect) Control Box with the patented QD Relay. This relay provides the ultimate in operational life
- Single-phase motors can be used with Pumptec products to protect against dry-run and other installation conditions that can damage motors and/or pumps; see single-phase protection devices for details

## POLLUTION RECOVERY OPTION

- Pollution Recovery motors are equipped for use in monitoring and recovery wells in which hydrocarbons and other chemicals may be present
- Features nitrile rubber parts and other chemical-resistant materials as listed in the construction materials chart

## 4" SUBMERSIBLE MOTORS - SPECIFICATIONS AND MATERIALS

### MOTOR SPECIFICATIONS

Hz	Model	Phase	HP Range	kW Range	Poles	RPM	Max. Ambient Temp.	Duty Rating
50	Super Stainless	1	0.5 - 1.5	0.37 - 1.1	2	2875	86 °F / 30 °C	Continuous
		1	0.3 - 3	0.25 - 2.2				Continuous*
		3	0.5 - 3	0.37 - 2.2				Continuous*
	Pollution Recovery	1	0.5 - 1.5	0.37 - 1.1				Continuous
		1	0.3 - 2	0.25 - 1.5				Continuous*
		3	0.5 - 2	0.37 - 1.5				Continuous*
	High Thrust	1	1.5 - 5	1.1 - 3.7				Continuous*
		3	1.5 - 10	1.1 - 7.5				Continuous*
		1	0.3 - 1.5	0.25 - 1.1				Continuous
60	Super Stainless	1	0.3 - 3	0.25 - 2.2	2	3450	86 °F / 30 °C	Continuous*
		3	0.5 - 3	0.37 - 2.2				Continuous*
		1	0.3 - 1.5	0.25 - 1.1				Continuous
	Pollution Recovery	1	0.3 - 2	0.37 - 1.5				Continuous*
		3	0.5 - 2	0.37 - 1.5				Continuous*
		1	1.5 - 5	1.1 - 3.7				Continuous*
	High Thrust	3	1.5 - 10	1.1 - 7.5				Continuous*
		1	0.3 - 1.5	0.25 - 1.1				Continuous
		3	0.5 - 2	0.37 - 1.5				Continuous*

\* 3 hp motors require 0.25 ft/sec flow past motor

### CONSTRUCTION MATERIALS

Model No.	-	-	-8602G	-8802G	-3529G (not including 15HP)	-0630G	-8502G	-8702G	-8801G
Model Type	Super Stainless	Super Stainless	High Thrust	High Thrust	High Thrust	High Thrust	High Thrust	High Thrust	High Thrust
Component	Water Well	Pollution Recovery	Water Well	Sand Fighter®	CBM+	SERIES 600M	316 SS	Oil Stripper	ES
Top Castings	304 SS over Iron	304 SS over Iron	303 SS	303 SS	316 SS	303 SS	316 SS	316 SS	316 SS
Bottom Castings	Cast iron	Cast iron	304 SS over cast iron	304 SS over cast iron	316 SS	304 SS over cast iron	316 SS	316 SS	304 SS over cast iron
Stator Shell	301 SS	301SS	304 SS	304 SS	316 SS	316 SS	316 SS	316 SS	304 SS
Stator Ends	Low-carbon steel	Low-carbon steel	Low-carbon steel	Low-carbon steel	316 SS	Low-carbon steel	316 SS	316 SS	Low-carbon steel
Shaft Extension	17-4 SS	17-4 SS	17-4 SS	17-4 SS	17-4 SS	17-4 SS	17-4 SS	17-4 SS	17-4 SS
Fasteners	300 Series SS	316 SS	300 Series SS	300 Series SS	316 SS	300 Series SS	316 SS	316 SS	300 Series SS
Seal Cover	Acetal	Tefzel	Acetal	Sintered bronze	316 SS	Sintered bronze	316 SS	316 SS	Sintered bronze
Seal	Lip-Nitrile	Lip-FKM	Lip-Nitrile	Mech-Nitrile, SiC face	Mech-FKM, SiC face	Mech-FKM, SiC face	Mech-Nitrile, SiC face	Mech-FKM, SiC face	Mech-FKM, SiC face
Diaphragm	Nitrile	FKM	Nitrile	Nitrile	FKM	Nitrile	Nitrile	FKM	FKM
Diaphragm Cup	N/A	N/A	316 SS	316 SS	316 SS	316 SS	316 SS	316 SS	316 SS
Diaphragm Spring	N/A	N/A	316 SS	316 SS	316 SS	316 SS	316 SS	316 SS	316 SS
Diaphragm Cover	304 SS	304 SS	304 SS	304 SS	316 SS	316 SS	316 SS	316 SS	304 SS
Slinger	Nitrile	FKM	Nitrile	Nitrile	FKM	Nitrile	Nitrile	FKM	FKM
Lead Wire/Cable	XLPE or EPCV	sold separately	XLPE or EPCV	XLPE or EPCV	sold separately	XLPE or EPCV	XLPE or EPCV	Nitrile	Sold separately
Lead Potting	Epoxy	N/A	Epoxy	Epoxy	N/A	Epoxy	Epoxy	Epoxy	N/A
Lead Type	303 SS jam nut	304 SS jam nut	316 SS screws/clamp	316 SS screws/clamp	316 SS screw/clamp	316 SS screws/clamp	316 SS screws/clamp	316 SS screws/clamp	316 SS screw/clamp
Filter	Polyester	Polyester	Acetal/polyester	Acetal/polyester	316 SS plug	Acetal/polyester	316 SS plug	316 SS plug	316 SS plug
Max Temp Range	30C	30C	30C (1/4 ft/sec)	30C (1/4 ft/sec)	50C (1/4 ft/sec)	30C (1/4 ft/sec)	30C (1/4 ft/sec)	80C (1 ft/sec)	30C (1/4 ft/sec)
Thrust Rating	300 to 900	300 to 900	1500	1500	1500	300 to 1500	1500	1500	1500



## 4" SUBMERSIBLE MOTORS - ORDERING INFORMATION

### 2-WIRE MODELS

HP	Description	Volts	Hz	S.F.	Motor Lead	Model No.	Thrust Rating	Wt. (Lbs)
1/3	Water Well	115	60	1.75	-	2445020117GS	300	16
		115	60	1.75	Yes	2445029004GS	300	16
		230	60	1.75	-	2445030117GS	300	16
		230	60	1.75	Yes	2445039004GS	300	16
	Pollution Recovery	115	60	1.75	-	2445020917GS	300	16
		230	60	1.75	-	2445030917GS	300	16
1/2	Water Well	115	60	1.6	-	2445040117GS	300	18
		115	60	1.6	Yes	2445049004GS	300	18
		220	50	1.0	-	2445550117GS	300	18
		230	60	1.6	-	2445050117GS	300	18
		230	60	1.6	Yes	2445059004GS	300	18
	Pollution Recovery	115	60	1.6	-	2445040917GS	300	18
		230	60	1.6	-	2445050917GS	300	18
		220	50	1.0	-	2445570117GS	300	21
3/4	Water Well	230	60	1.5	-	2445070117GS	300	21
		230	60	1.5	Yes	2445079004GS	300	21
		230	60	1.5	-	2445070917GS	300	21
	Pollution Recovery	230	60	1.5	-	2445081203GS	650	24
1	Water Well	230	60	1.4	-	2445081203GS	650	24
		230	60	1.4	Yes	2445089003GS	650	24
		230	60	1.4	-	2445082303GS	650	24
	Pollution Recovery	230	60	1.4	-	2443591217GS	650	31
1.5	Water Well	220	50	1.3	-	2443091217GS	650	31
		230	60	1.3	-	2443099004GS	650	31
		230	60	1.3	Yes	2443092317GS	650	31
	Pollution Recovery	230	60	1.3	-	2443092317GS	650	31

NOTE: All 3 hp motors are single-packed; pallet packs available but not shown; contact customer service for availability

## 4" SUBMERSIBLE MOTORS - ORDERING INFORMATION

### 3-WIRE MODELS

HP	Description	Volts	Hz	S.F.	Motor Lead	Model No.	Thrust Rating	Wt. (Lbs)
1/3	Water Well	115	60	1.75	Yes	2145029004GS	300	17
		220	50	1.0	-	2145534116GS	300	17
		230	60	1.75	-	2145034416GS	300	17
		230	60	1.75	Yes	2145039004GS	300	17
	Pollution Recovery	115	60	1.75	-	2145024916GS	300	17
		230	60	1.75	-	2145034916GS	300	17
1/2	Water Well	115	60	1.6	-	2145044416GS	300	19
		115	60	1.6	Yes	2145049004GS	300	19
		220	50	1.0	-	2145554116GS	300	19
		220	50	1.0	Yes	2145559204GS	300	19
		230	60	1.6	-	2145054416GS	300	19
		230	60	1.6	Yes	2145059004GS	300	19
		230	60	1.6	-	2145044916GS	300	19
	Pollution Recovery	115	60	1.6	-	2145054916GS	300	19
230		60	1.6	-	2145574116GS	300	21	
3/4	Water Well	220	50	1.0	Yes	214579204GS	300	21
		230	60	1.5	-	2145074416GS	300	21
		230	60	1.5	Yes	2145079004GS	300	21
	Pollution Recovery	230	60	1.5	-	2145074916GS	300	21
		230	60	1.5	Yes	2145070600GS	300	22
1	Water Well	220	50	1.0	-	2145581903GS	650	24
		220	50	1.0	Yes	2145589203GS	650	24
		230	60	1.4	-	2145081203GS	650	24
		230	60	1.4	Yes	2145089003GS	650	24
		230	60	1.4	-	2145082303GS	650	24
	Series 600M	230	60	1.4	Yes	2145080610GS	650	25
1.5	Water Well	220	50	1.0	-	2243501903GS	650	28
		220	50	1.0	Yes	2243509203GS	650	28
		230	60	1.3	-	2243001903GS	650	28
		230	60	1.3	Yes	2243009203GS	650	28
		230	60	1.3	Yes	2243008602G	1500	38
	Pollution Recovery	230	60	1.3	-	2243002303GS	650	28
		230	60	1.3	Yes	2243000610GS	650	25
		316 SS	230	60	1.3	Yes	2243008502G	1500

## 4" SUBMERSIBLE MOTORS - ORDERING INFORMATION

### 3-WIRE MODELS

HP	Description	Volts	Hz	S.F.	Motor Lead	Model No.	Thrust Rating	Wt. (Lbs)
2	Water Well	220	50	1.0	-	224351916GS	650	33
		220	50	1.0	Yes	2243519204GS	650	33
		220	50	1.0	Yes	2243518602G	1500	43
		230	60	1.25	-	224301916GS	650	33
		230	60	1.25	Yes	2243019204GS	650	33
		230	60	1.25	-	2243018600G	1500	43
	Pollution Recovery	230	60	1.25	Yes	2243018602G	1500	43
		230	60	1.25	-	2243012316GS	650	33
		230	60	1.25	Yes	2243010610GS	650	29
		230	60	1.15	Yes	2243018802G	1500	43
		230	60	1.25	Yes	2243018702G	1500	46
		230	60	1.25	Yes	2243018502G	1500	45
3	Water Well	220	50	1.0	-	2243522504G	900	41
		220	50	1.0	-	2247528600G	1500	56
		230	60	1.15	-	2247022504G	900	41
		230	60	1.15	Yes	2247022604G	900	41
		230	60	1.15	-	2247028600G	1500	56
		230	60	1.15	Yes	2243028602G	1500	56
	Series 600M	230	60	1.15	Yes	2247020620G	900	35
		230	60	1.15	Yes	2247020630G	1500	44
		230	60	1.15	Yes	2247028802G	1500	56
		230	60	1.15	Yes	2247028702G	1500	56
Oil Stripper	230	60	1.15	Yes	2247028502G	1500	56	
	230	60	1.15	Yes	2247028502G	1500	56	
5	Water Well	220	50	1.0	-	2243538600G	1500	71
		230	60	1.15	-	2247038600G	1500	71
		230	60	1.15	Yes	2247038602G	1500	71
	Series 600M	230	60	1.15	Yes	2243030630G	1500	56
		230	60	1.15	Yes	2247038802G	1500	71
	Oil Stripper	230	60	1.15	Yes	2247038702G	1500	71
		230	60	1.15	Yes	2247038502G	1500	71
	316 SS	230	60	1.15	Yes	2247038502G	1500	71

NOTE: All 3 hp motors are single-packed; pallet packs available but not shown; contact customer service for availability

## 4" SUBMERSIBLE MOTORS - ORDERING INFORMATION

### THREE-PHASE MODELS

HP	Description	Volts	Hz	S.F.	Motor Lead	Model No.	Thrust	Wt. (Lbs)
1/2	Water Well	48	60	1.5	Yes	2349049204GS	300	18
		200	60	1.6	-	2345014116GS	300	18
		200	60	1.6	Yes	2345019204GS	300	19
		220	50	1.0	-	2345514116GS	300	18
		230	60	1.6	-	2345114116GS	300	18
		230	60	1.6	Yes	2345119204GS	300	19
		380-415	50	1.0	-	2345613116GS	300	18
		460	60	1.6	-	2345213116GS	300	18
		460	60	1.6	Yes	2345219404GS	300	19
		575	60	1.6	Yes	2345319404GS	300	19
	Pollution Recovery	200	60	1.6	-	2345014916GS	300	18
		230	60	1.6	-	2345114916GS	300	18
		460	60	1.6	-	2345214916GS	300	18



## 4" SUBMERSIBLE MOTORS - ORDERING INFORMATION

### THREE-PHASE MODELS

HP	Description	Volts	Hz	S.F.	Motor Lead	Model No.	Thrust	Wt. (Lbs)	
3/4	Water Well	100	60	1.5	Yes	2349029204GS	300	21	
		200	60	1.5	-	2345024116GS	300	21	
		200	60	1.5	Yes	2345029204GS	300	22	
		220	50	1.0	-	2345524116GS	300	21	
		230	60	1.5	-	2345124116GS	300	21	
		230	60	1.5	Yes	2345129204GS	300	22	
		380-415	50	1.0	-	2345623116GS	300	21	
		460	60	1.5	-	2345223116GS	300	21	
		460	60	1.5	Yes	2345229404GS	300	22	
	575	60	1.5	Yes	2345329404GS	300	22		
	Pollution Recovery	200	60	1.5	-	2345024916GS	300	21	
		230	60	1.5	-	2345124916GS	300	21	
		460	60	1.5	-	2345224916GS	300	21	
	Series 600M	230	60	1.5	Yes	2345120600GS	300	22	
		460	60	1.5	Yes	2345220600GS	300	22	
1	Water Well	200	60	1.4	-	2345031903GS	650	24	
		200	60	1.4	Yes	2345039203GS	650	25	
		220	50	1.0	-	2345534116GS	650	24	
		230	60	1.4	-	2345131903GS	650	24	
		230	60	1.4	Yes	2345139203GS	650	25	
		380-415	50	1.0	-	2345633116GS	650	24	
		460	60	1.4	-	2345231603GS	650	24	
		460	60	1.4	Yes	2345239403GS	650	25	
		575	60	1.4	Yes	2345339403GS	650	25	
	Pollution Recovery	200	60	1.4	-	2345032303GS	650	24	
		230	60	1.4	-	2345132303GS	650	24	
		460	60	1.4	-	2345232303GS	650	24	
	Series 600M	230	60	1.4	Yes	2345130610GS	650	25	
		460	60	1.4	Yes	2345230610GS	650	25	
	1.5	Water Well	200	60	1.3	-	2345041903GS	650	28
200			60	1.3	Yes	2345049203GS	650	29	
200			60	1.3	-	2345048600	1500	33	
220			50	1.3	Yes	2345549003GS	650	28	
230			60	1.3	-	2345141903GS	650	28	
230			60	1.3	Yes	2345149203GS	650	29	
230			60	1.3	-	2345148600G	1500	33	
460/380			60/50	1.3/1.0	-	2345241603GS	650	28	
460/380			60/50	1.3/1.0	Yes	2345249403GS	650	28	
460/380			60/50	1.3/1.0	-	2345248600G	1500	28	
575			60	1.3	-	2345341603GS	650	28	
575			60	1.3	Yes	2345349403GS	650	29	
575			60	1.3	-	2345348600G	1500	33	
Pollution Recovery			200	60	1.3	-	2345042303GS	650	28
			230	60	1.3	-	2345142303GS	650	28
		460/380	60/50	1.3/1.0	-	2345242303GS	650	28	
Series 600M		230	60	1.3	Yes	2345140610GS	650	25	
		460/380	60/50	1.3/1.0	Yes	2345240610GS	650	25	
316 SS		200	60	1.3	Yes	2345048502G	1500	40	
		230	60	1.3	Yes	2345148502G	1500	40	
		460/380	60/50	1.3/1.0	Yes	2345248502G	1500	40	
	575	60	1.3	Yes	2345348502G	1500	40		

## 4" SUBMERSIBLE MOTORS - ORDERING INFORMATION

### THREE-PHASE MODELS

HP	Description	Volts	Hz	S.F.	Motor Lead	Model No.	Thrust	Wt. (Lbs)	
2	Water Well	200	60	1.25	-	2343051618GS	650	33	
		200	60	1.25	Yes	2343059204GS	650	34	
		200	60	1.25	-	2343058600G	1500	44	
		220	50	1.0	-	2343551916GS	650	33	
		230	60	1.25	-	2343151618GS	650	33	
		230	60	1.25	Yes	2343159204GS	650	34	
		230	60	1.25	-	2343158600G	1500	44	
		460/380	60/50	1.25/1.0	-	2343251618GS	650	33	
		460/380	60/50	1.25/1.0	Yes	2343259404GS	650	34	
		460/380	60/50	1.25/1.0	-	2343258600G	1500	44	
		460/380	60/50	1.25/1.0	Yes	2343258602G	1500	44	
		575	60	1.25	-	2343351618GS	650	33	
		575	60	1.25	Yes	2343359404GS	650	34	
		575	60	1.25	-	2343358600G	1500	44	
	Pollution Recovery	200	60	1.25	-	2343052318GS	650	33	
		230	60	1.25	-	2343152318GS	650	33	
		460/380	60/50	1.25/1.0	-	2343252318GS	650	33	
	Series 600M	230	60	1.25	Yes	2343150610GS	650	29	
		460/380	60/50	1.25/1.0	Yes	2343250610GS	650	29	
	316 SS	200	60	1.25	Yes	2343058502G	1500	44	
		230	60	1.25	Yes	2343158502G	1500	44	
		460/380	60/50	1.25/1.0	Yes	2343258502G	1500	44	
		575	60	1.25	Yes	2343358502G	1500	44	
	Oil Stripper	230	60	1.25	Yes	2343158702G	1500	44	
		460/380	60/50	1.25/1.0	Yes	2343258702G	1500	44	
	3	Water Well	200	60	1.15	-	2343062504G	900	41
			200	60	1.15	Yes	2343062604G	900	41
			200	60	1.15	-	2343068600G	1500	43
200			60	1.15	Yes	2343068602G	1500	44	
220			50	1.0	-	2343562504G	900	41	
220			50	1.0	-	2343568600G	1500	43	
230			60	1.15	-	2343162504G	900	41	
230			60	1.15	Yes	2343162604G	900	41	
230			60	1.15	-	2343168600G	1500	43	
230			60	1.15	Yes	2343168602G	1500	44	
380			60	1.15	-	2343462504G	900	41	
380			60	1.15	Yes	2343462604G	900	41	
380			60	1.15	-	2343468600G	1500	43	
380			60	1.15	Yes	2343468602G	1500	44	
460/380			60/50	1.15/1.0	-	2343262504G	900	41	
460/380			60/50	1.15/1.0	Yes	2343262604G	900	41	
460/380			60/50	1.15/1.0	-	2343268600G	1500	43	
460/380			60/50	1.15/1.0	Yes	2343268602G	1500	44	
575			60	1.15	-	2343362504G	900	41	
575			60	1.15	Yes	2343362604G	900	41	
575			60	1.15	-	2343368600G	1500	43	
575			60	1.15	Yes	2343368602G	1500	44	
Series 600M			230	60	1.15	Yes	2343160620G	900	35
			230	60	1.15	Yes	2343160630G	1500	44
		460/380	60/50	1.15	Yes	2343260620G	900	35	
		460/380	60/50	1.15	Yes	2343260630G	1500	44	
Sand Fighter®		200	60	1.15	Yes	2343068802G	1500	44	
		230	60	1.15	Yes	2343168802G	1500	44	
		380	60	1.15	Yes	2343468802G	1500	44	
		460/380	60/50	1.15/1.0	Yes	2343268802G	1500	44	
316 SS		575	60	1.15	Yes	2343368802G	1500	44	
		200	60	1.15	Yes	2343068502G	1500	44	
		230	60	1.15	Yes	2343168502G	1500	44	
		460/380	60/50	1.15/1.0	Yes	2343268502G	1500	44	
Oil Stripper		575	60	1.15	Yes	2343368502G	1500	44	
		230	60	1.15	Yes	2343168702G	1500	44	
460/380		60/50	1.15/1.0	Yes	2343268702G	1500	44		



## 4" SUBMERSIBLE MOTORS - ORDERING INFORMATION

### THREE-PHASE MODELS

HP	Description	Volts	Hz	S.F.	Motor Lead	Model No.	Thrust	Wt. (Lbs)
4	Water Well	380	50	1.0	-	2343958600G	1500	49
		380	50	1.0	Yes	2348068602G	1500	50
5	Water Well	200	60	1.15	-	2343078600G	1500	55
		200	60	1.15	Yes	2343078602G	1500	56
		220	50	1.0	-	2347578600G	1500	55
		230	60	1.15	-	2347178600G	1500	55
		230	60	1.15	Yes	2347178602G	1500	56
		380	60	1.15	-	2343478600G	1500	55
		380	60	1.15	Yes	2347478602G	1500	56
		460/380	60/50	1.15/1.0	-	2343278600G	1500	55
		460/380	60/50	1.15/1.0	Yes	2347278602G	1500	56
		575	60	1.15	-	2343378600G	1500	55
	575	60	1.15	Yes	2347378602G	1500	56	
	Series 600M	230	60	1.15	Yes	2347170630G	1500	56
		460/380	60/50	1.15	Yes	2347270630G	1500	56
	Sand Fighter®	200	60	1.15	Yes	2343078802G	1500	56
		230	60	1.15	Yes	2347178802G	1500	56
		380	60	1.15	Yes	2343478802G	1500	56
		460/380	60/50	1.15/1.0	Yes	2347278802G	1500	56
		575	60	1.15	Yes	2347378802G	1500	56
	316 SS	200	60	1.15	Yes	2343078502G	1500	56
		230	60	1.15	Yes	2347178502G	1500	56
460/380		60/50	1.15/1.0	Yes	2347278502G	1500	56	
Oil Stripper	230	60	1.15	Yes	2347178702G	1500	58	
	460/380	60/50	1.15/1.0	Yes	2347278702G	1500	58	
	ES	460/380	60/50	1.15/1.0	-	2347278801G	1500	56
CBM+	460/380	60/50	1.15/1.0	-	2347273529G	1500	59	
5.5	Water Well	460/380	60/50	1.0	-	2343978600G	1500	60
		460/380	60/50	1.0	Yes	2347658602G	1500	61
7.5	Water Well	200	60	1.15	-	2343088600G	1500	70
		200	60	1.15	Yes	2343088602G	1500	71
		220	50	1	-	2343588600G	1500	70
		230	60	1.15	-	2343188600G	1500	70
		230	60	1.15	Yes	2347188602G	1500	71
		380	60	1.15	-	2343488600G	1500	70
		380	60	1.15	Yes	2347488602G	1500	71
		460/380	60/50	1.15/1.0	-	2343288600G	1500	70
		460/380	60/50	1.15/1.0	Yes	2347288602G	1500	71
		575	60	1.15	-	2343388600G	1500	70
	575	60	1.15	Yes	2347388602G	1500	71	
	Sand Fighter®	200	60	1.15	Yes	2347088802G	1500	71
		230	60	1.15	Yes	2347188802G	1500	71
		380	60	1.15	Yes	2347488802G	1500	71
		460/380	60/50	1.15/1.0	Yes	2347288802G	1500	71
		575	60	1.15	Yes	2347388802G	1500	71
	316 SS	200	60	1.15	Yes	2343088502G	1500	71
		230	60	1.15	Yes	2347188502G	1500	71
		460/380	60/50	1.15/1.0	Yes	2347288502G	1500	71
	Oil Stripper	230	60	1.15	Yes	2343388502G	1500	71
460/380		60/50	1.15/1.0	Yes	2347188702G	1500	71	
ES		460/380	60/50	1.15/1.0	-	2347288801G	1500	71
CBM+	460/380	60/50	1.15/1.0	-	2347283529G	1500	74	
10	Water Well	380	60	1.15	Yes	2347498602G	1500	77
		460/380	60/50	1.15/1.0	Yes	2347298602G	1500	77
		575	60	1.15	Yes	2347398602G	1500	77
	Sand Fighter®	380	60	1.15	Yes	2347498802G	1500	77
		460/380	60/50	1.15/1.0	Yes	2347298802G	1500	77
		575	60	1.15	Yes	2347398802G	1500	77
	316 SS	460/380	60/50	1.15	Yes	2347298502G	1500	77
	Oil Stripper	460/380	60/50	1.15	Yes	2347298702G	1500	77
	ES	460/380	60/50	1.15/1.0	-	2347298801G	1500	77
CBM+	460/380	60/50	1.15/1.0	-	2347293529G	1500	80	
15	CBM+	460/380	60/50	1.15/1.0	-	2346268996	3500	115

8 NOTE: All 3 hp motors are single-packed; pallet packs available but not shown; contact customer service for availability

## 4" SUBMERSIBLE MOTORS - DIMENSIONS AND WEIGHTS

### SUPER STAINLESS

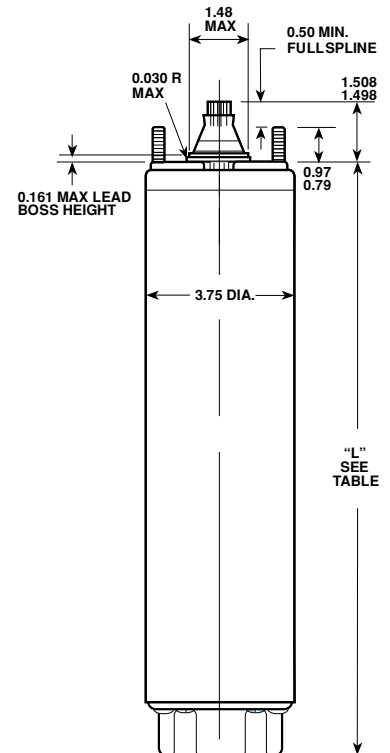
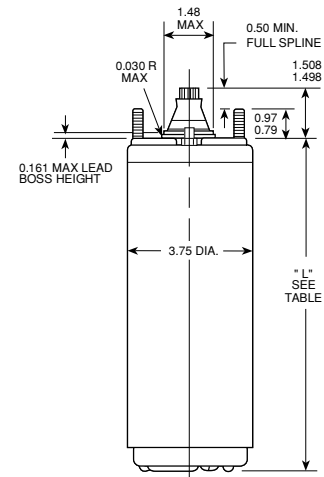
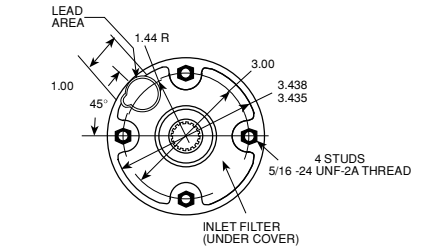
HP / kW	Phase	L (in)	Motor Carton Size (in)			Shipping Wt.	
			W	H	L	lbs	kg
0.333 / 0.25	1	8.76	4.25	4.38	16.00	16	7.3
	1	8.76	4.25	4.38	16.00	17	7.7
0.5 / 0.37	1	9.51	4.25	4.38	16.00	18	8.2
	3	9.51	4.25	4.38	16.00	19	8.6
0.75 / 0.55	1	10.64	4.25	4.38	19.00	21	9.5
	1	10.64	4.25	4.38	19.00	21	9.5
	3	10.64	4.25	4.38	16.00	21	9.5
1 / 0.75	1	11.73	4.25	4.38	19.00	24	10.9
	1	11.73	4.25	4.38	19.00	24	10.9
	3	11.73	4.25	4.38	19.00	24	10.9
1.5 / 1.1	1	15.1	4.25	4.38	21.25	31	14.1
	1	13.6	4.25	4.38	21.25	28	12.7
	3	11.73	4.25	4.38	19.00	24	10.9
2 / 1.5	1	15.1	4.25	4.38	21.25	33	15
	3	13.6	4.25	4.38	21.25	28	12.7
3 / 2.2	1	18.34	6.50	6.25	24.75	39	18
	3	15.29	6.50	6.25	21.75	35	16

NOTE: All dimensions listed above are for models supplied with lead; consult factory for other models

### HIGH THRUST

HP / kW	Model	Phase	L (in)	Motor Carton Size (in)			Shipping Wt.	
				W	H	L	lbs	kg
1.5 / 1.1	Standard, Sand Fighter®	1	19.1	6.50	6.25	21.50	35	15.9
	Standard, Sand Fighter®	3	17.98	6.50	6.25	21.50	37	16.8
2 / 1.5	Standard, Sand Fighter®	1	20.6	6.50	6.25	24.25	43	19.5
	Oil Stripper	1	22.85	6.50	6.25	25.75	46	20.9
	Standard, Sand Fighter®	3	19.1	6.50	6.25	24.25	44	20
	Oil Stripper	3	21.35	6.50	6.25	25.75	42	19.1
3 / 2.2	Standard, Sand Fighter®	1	22.49	6.50	6.25	27.75	47	21
	Oil Stripper	1	22.98	6.50	6.25	27.75	48	22
	Standard, Sand Fighter®	3	19.44	6.50	6.25	24.75	41	19
	Oil Stripper	3	19.93	6.50	6.25	26.25	42	19
5 / 3.7	Standard, Sand Fighter®	1	27.41	6.50	6.25	33.75	64	29
	Oil Stripper	1	27.90	6.50	6.25	33.75	65	30
	Standard, Sand Fighter®	3	22.49	6.50	6.25	27.75	50	23
	Oil Stripper	3	22.98	6.50	6.25	27.75	51	23
5.5 / 4	CBM+	3	23.45	6.50	6.25	27.75	52	24
	Standard, Sand Fighter®	3	23.39	6.50	6.25	27.75	52	24
	Standard, Sand Fighter®	3	27.41	6.50	6.25	33.75	64	29
7.5 / 5.5	Oil Stripper	3	27.90	6.50	6.25	33.75	65	30
	CBM+	3	28.37	6.50	6.25	33.75	66	30
	Standard, Sand Fighter®	3	30.48	6.50	6.25	35.25	72	33
10 / 7.5	Oil Stripper	3	30.97	6.50	6.25	35.25	73	33
	CBM+	3	31.44	8.88	8	39.5	74	34
	CBM+	3	47.50	6.50	6.25	50.00	115	52

NOTE: Consult factory for 316 SS weights and dimensions



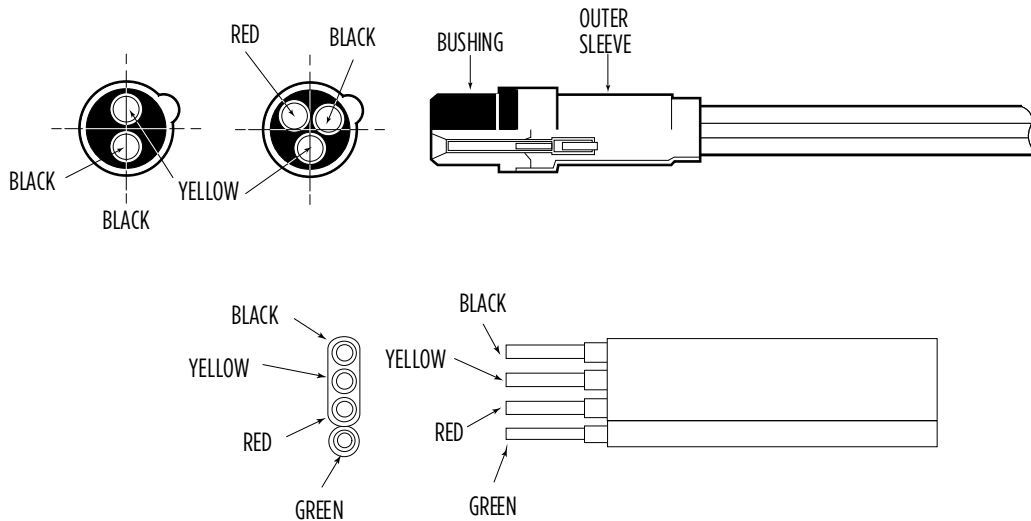


## 4" SUBMERSIBLE MOTORS - LEADS AND ACCESSORIES

### MOTOR LEADS AND CABLES

HP	Wire	Description	Wire AWG	Model No.	Wt. (lbs)	
All	2	Lead, Individual XLPE, 303 SS, 48 in, Ground	14	152552905	1	
		Lead, Individual XLPE, 303 SS, 100 in, Ground		152552906	1	
		Lead, Individual Nitrile, 316 SS, 48 in, No Ground		152328905*	1	
		Lead, Individual Nitrile, 316 SS, 100 in, No Ground		152328906*	1	
	3 (Jam-Nut Style)	Lead, Individual XLPE, 303 SS, 48 in, Ground		152553905	< 1	
		Lead, Individual XLPE, 303 SS, 100 in, Ground		152553906	< 1	
		Lead, Individual Nitrile, 316 SS, 48 in, No Ground *		152255901	< 1	
		Lead, Individual Nitrile, 316 SS, 100 in, No Ground *		152255902	< 1	
		Lead, Individual Nitrile, 316 SS, 160 in, No Ground *		152255904	< 1	
		Lead, Individual Nitrile, 316 SS, 30 ft, No Ground *		152255906	5	
		Lead, Individual Nitrile, 316 SS, 50 ft, No Ground *		152255907	5	
		Lead, Individual Nitrile, 316 SS, 100 ft, No Ground *		152255910	9	
		Lead, Individual Nitrile, 316 SS, 150 ft, No Ground *		152255912	14	
		3 (Clamp Style)		Lead, Individual XLPE, 316 SS, 48 in, Ground	152735911	< 1
				Lead, Individual XLPE, 316 SS, 100 in, Ground	152735941	1
				Lead, Individual Nitrile, 316 SS, 100 in, No Ground *	152744902	< 1
	Lead, Individual Nitrile, 316 SS, 160 in, No Ground *			152744904	< 1	
	Lead, Individual Nitrile, 316 SS, 50 ft, No Ground *			152744907	5	
	Lead, Individual Nitrile, 316 SS, 100 ft, No Ground *			152744910	9	

NOTE: Refer to Franklin Application Installation Maintenance (AIM) Manual for accurate cable sizing; MOTOR WARRANTY IS VOID if Franklin-supplied leads are not used  
 \* Nitrile not for use in potable water



### MOTOR ACCESSORIES

HP	Description	Model No.	Wt. (lbs)
All	Coupling, 4-inch, #416 SS, 3/4 Shaft DIA., 3/16x1/8x13/8 KEY	15151911	1
1/3 - 3	4" SS	308250912	1.4
1.5 - 10	4" HS	308250913	1.4