

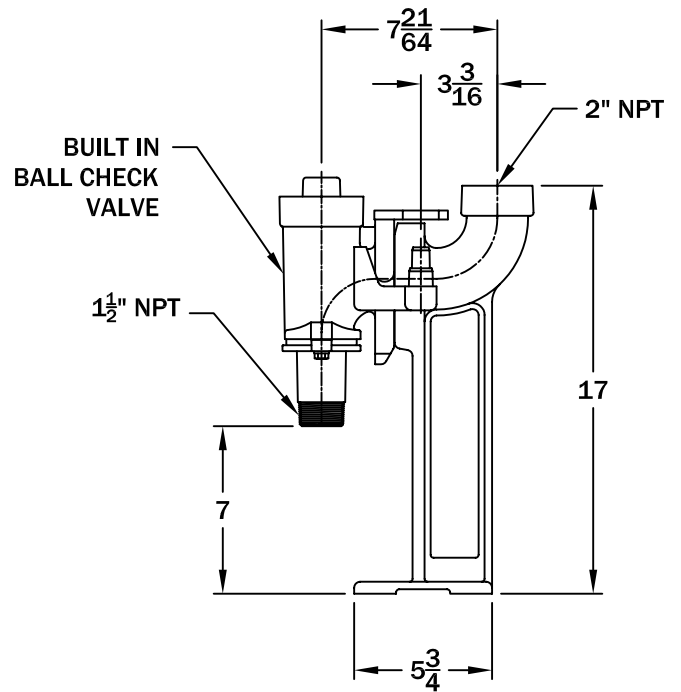
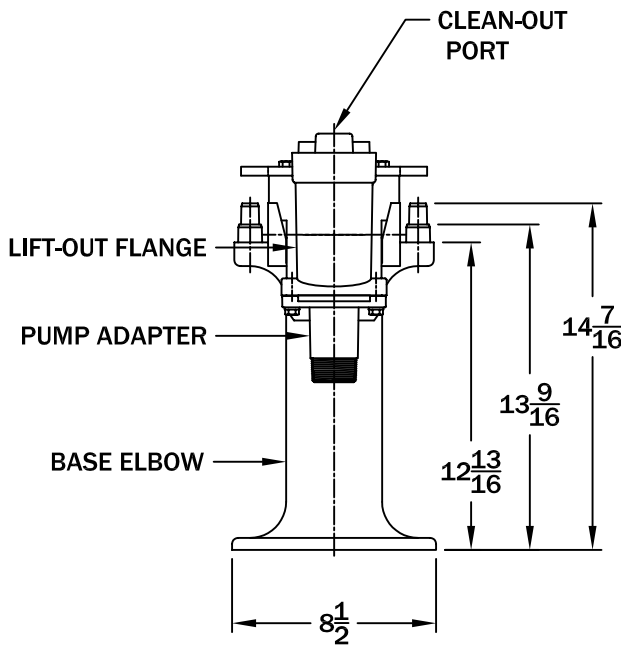
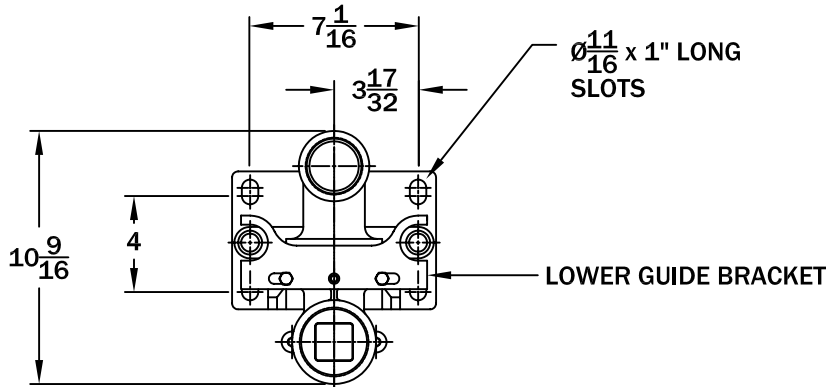
NOTE: ALL DIMENSIONS ARE IN INCHES.

MATERIALS OF CONSTRUCTION:

- PUMP ADAPTER: 304 SST
- BASE ELBOW: CAST DUCTILE IRON
- LIFT-OUT FLANGE: CAST DUCTILE IRON
- LOWER GUIDE BRACKET: 304 SST
- ALL FASTENERS ARE 304 SERIES SST
- USABLE RAIL SIZES:  $\frac{3}{4}$ " & 1"
- MAXIMUM WEIGHT ALLOWANCE: 200 lbs

BERS 150-CV

PAGE  
1



ALL INFORMATION CONTAINED IN THIS DRAWING IS CONFIDENTIAL AND PROPRIETARY TO CONERY MFG, INC.



| CHANGES | TOLERANCES  | DRAWN BY                                | DATE     |
|---------|---|---|----------|
| F       | DECIMALS<br>.xxx = ±.005<br>.xx = ±.010<br>FRACTIONAL<br>x/x = ±.1/64<br>ANGLES<br>x° = ±1/2° | D. MIDDLETON                            | 03/05/04 |
| E       |   | MATERIAL SPECIFICATION:<br><br>AS NOTED |          |
| D       |   |   |          |
| C       |   |   |          |
| B       |   |   |          |
| A       |   |   |          |

SPECIFICATION SHEET  
DIMENSIONAL DATA

|        |                     |
|--------|---------------------|
| SCALE: | PART NO.            |
| 1/8    | 1-1/2" LIFT OUT DIM |