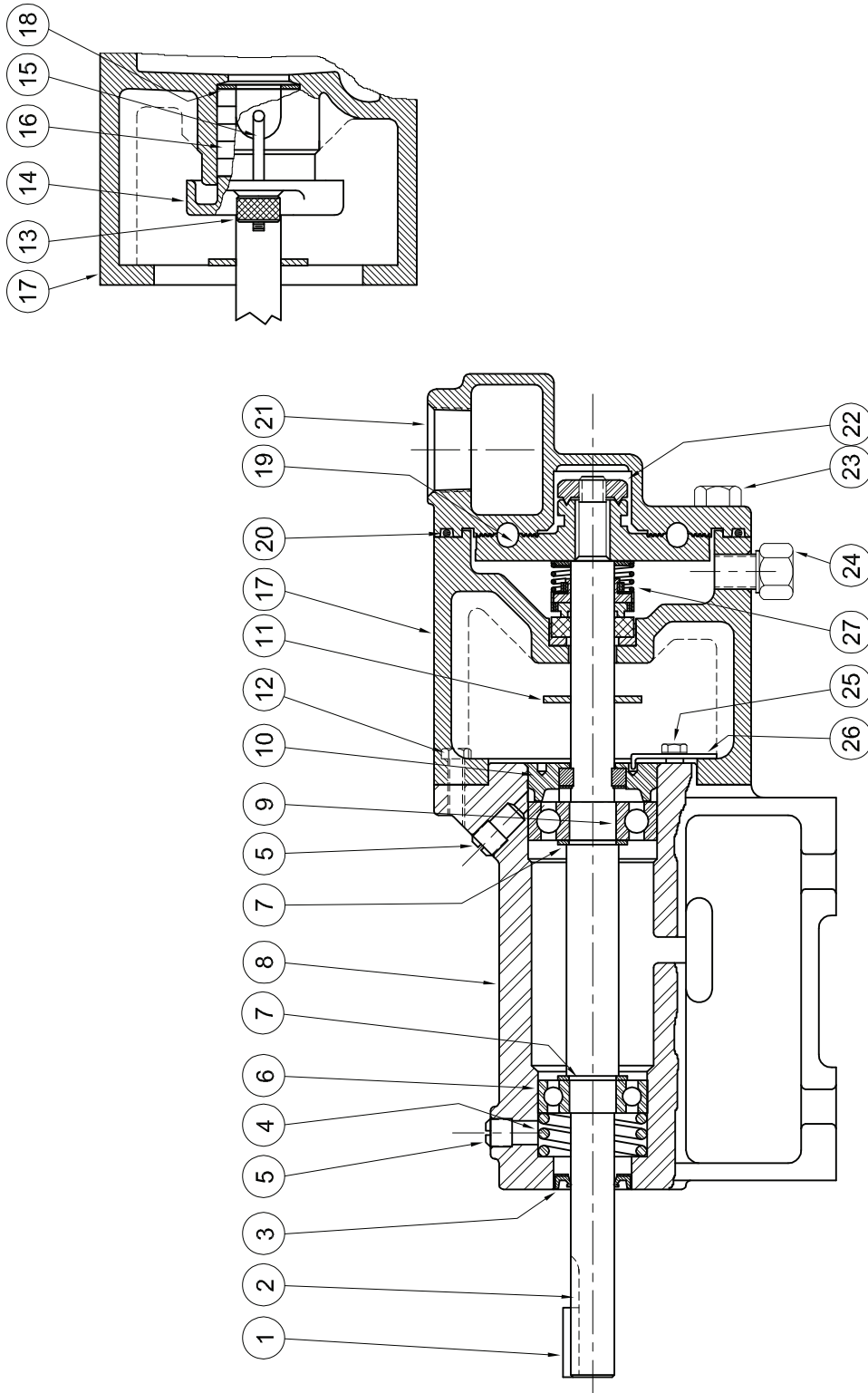


Turbines - Base Mounted



Turbines - Base Mounted

SYMBOL NUMBER	PART NUMBER	QTY	DESCRIPTION
21	09525-5	1	Raceway - 5/16 ET5
	09525-6	1	Raceway - 3/8 ET6
	09525-7	1	Raceway - 7/16 ET7
	09525-8	4	Raceway - 1/2 ET8
22	02258	1	Impeller Lock Nut
	01928	4	Cap Screw
	04236	1	Plug - 1/4"
	07577	1	Screw - #10-24 x 3/8" Lg
	07576	1	Adjusting Screw Lock
	08514	1	Mechanical Seal - Buna-N (Std)
27	09762	1	Mechanical Seal - Viton
	20764-C	1	Mechanical Seal - EPT
	22927	1	Power Frame Assy (Includes symbol 1 thru 11)
DIFFERING PARTS FOR ALL BRONZE CONSTRUCTION			
12	03121-A	4	Screw,
23	03289	4	Screw, 3/8-16 x 1" Lg
17	09522-A	1	Frame (for packing gland)
	09521-A	1	Frame (for mechanical seal)

(*) Standard impellers are suitable for fluid temperatures to 250°F (121°C). For higher temperatures, add the designation "HT" to impeller part number. This includes all "M," Jacketed Seal Pumps. EXAMPLE: SA09524-HT-5

NOTE 1: Impeller and raceway must be ordered as a repair kit.
NOT available individually.

NOTE 2: For pumps manufactured prior to MARCH of 1985 call factory for power frame parts availability.

SYMBOL NUMBER	PART NUMBER	QTY	DESCRIPTION
1	01420	1	Key
2	22926	1	Shaft
3	09529	1	Oil Seal
4	09528	1	Spring
5	01691	2	Plug, 1/8"
6	00629	1	Ball Bearing
7	02726	2	Washer - Bearing Back Up
8	22923	1	Bearing Housing
9	21000	1	Ball Bearing
10	09162	1	Impeller Adjusting Screw
11	08105	1	Slinger
12	03121	4	Cap Screw
13	04211	2	Gland Nut
14	05804-A	1	Gland
15	07003	2	Gland Bolt
16	08091	6	Packing
17	09522	1	Frame (for packing seal)
	09521	1	Frame (for mechanical seal)
18	08085	1	Washer - Stuffing Box
* 19	SA09524-5	1	Impeller - 5/16 ET5
	SA09524-6	1	Impeller - 3/8 ET6
	SA09524-7	1	Impeller - 7/16 ET7
	SA09524-8	1	Impeller - 1/2 ET8
20	09530	1	O-Ring Gasket - Buna-N (Std)
	09699	1	O-Ring Gasket - Viton
	22134	1	O-Ring Gasket - EPT
	09530-T	1	O-Ring Gasket - Teflon

REPAIR KITS FOR ET SERIES PUMPS

REPAIR KIT P/N (STD Buna-N)	MODEL	REPAIR KIT P/N (Viton)	MODEL	REPAIR KIT P/N (EPT)	MODEL	REPAIR KIT P/N (High Temp)	MODEL
20158-5	ET5M	20158-5-MV	ET5MV	20158-5-ME	ET5ME	20158-HT-5	ET5MV-HT
20158-6	ET6M	20158-6-MV	ET6MV	20158-6-ME	ET6ME	20158-HT-6	ET6MV-HT
20158-7	ET7M	20158-7-MV	ET7MV	20158-7-ME	ET7ME	20158-HT-7	ET7MV-HT
20158-8	ET8M	20158-8-MV	ET8MV	20158-8-ME	ET8ME		

KIT INCLUDES: Impeller, Raceway, Shaft Seal, O-Ring Gasket, Impeller Locknut and Instructions.

WARNING:
CANCER AND REPRODUCTIVE HARM -
WWW.P65WARNINGS.CA.GOV

