



BLUE RIBBON CORP.

2770 Long Road, Grand Island, NY 14072 USA
Tel. (716) 773-9300 • Fax (716) 773-5019
brsales@blueribboncorp.com • www.blueribboncorp.com

SURGE PROTECTOR MODEL BCP3000



The BCP3000 Surge Protector is designed to assist in the prevention of damage to the BC001 Birdcage Submersible Level Transmitter from damaging voltage and current surges.

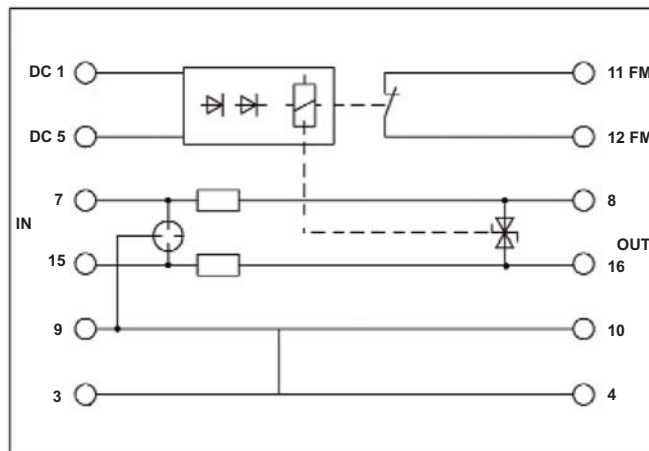
**** PART 2 in the LIFE-TIME WARRANTY PACKAGE**

The Blue Ribbon Birdcage transmitter now features a **LIFE-TIME WARRANTY** from damage due to lightning or voltage surges if the BCP3000 Surge Protector is properly installed and grounded.

Part 1 is the **BC001 Transmitter** that includes internal surge and lightning protection as a **standard** feature that places us above the competition.

PRODUCT OVERVIEW:

The BCP3000 is packaged as a 17.5 mm wide, Din-rail mounted, pluggable surge protector. Protection is achieved through the use of tightly coordinated hybrid circuits consisting of fast responding Surge-Arresting Diodes (SAD,) high powered current handling Gas Discharge Tubes (GDT) and a series de-coupling elements. This device applies to the 2-wire 4-20 mA output transmitters as well as the 0-5 VDC transmitters. This device is able to protect against fast rising voltage as well as current surges from lightning. Total surge protection is 20 kA (8/20) μ s. In addition, a local failure indication light on the device changes from green to red if there is a fault due to overloading. Remote failure indication is also standard on this device.





BLUE RIBBON CORP.

2770 Long Road, Grand Island, NY 14072 USA
Tel. (716) 773-9300 • Fax (716) 773-5019
brsales@blueribboncorp.com • www.blueribboncorp.com

ENGINEERING SPECIFICATIONS

<u>Power:</u>		24 VDC
<u>IEC Category / EN Type:</u>		C1/C2/C3/D1
<u>Highest Continuous Voltage U_c:</u>	DC / AC	28 V / 20 V
<u>Lightning Test Current I_{imp}:</u>	Per Path	2.5 kA
<u>Nominal Current I_N:</u>		450 MA
<u>Nom Discharge surge current (8/20) μs:</u>	Core-Core	10 ka
	Core-Ground	10 kA
<u>Total Surge Current (8-20) μs:</u>		20 kA
<u>Output voltage Limitation at 1 kV/ μs:</u>	Core-Core	≤ 40 V
	Core-Ground	≤ 450 V
<u>Residual Voltage at I_N:</u>	Core-Core	≤ 40 V
<u>Response Time t_A:</u>	Core-Core	≤ 1 ns
	Core-Ground	≤ 100 ns
<u>Resistance per Path:</u>		2.2 Ω
<u>Insulation Test Voltage:</u>		500VDC
<u>Auxiliary Voltage U_N:</u>		8 VDC.38 VDC, P ≤ 0.8W
<u>Auxiliary Power:</u>		1 A max
<u>Temperature Range:</u>		-40°C - 85° C
<u>Protection:</u>		IP20
<u>Test Standard:</u>		IEC61643 / DIN EN 61643-21
<u>Remote Indication Contact:</u>		N/C Contact
<u>Maximum Operating Voltage:</u>		250 VAC
<u>Maximum Operating Current:</u>		0.2A (250 VAC) / 0.2 a (220 VDC)
<u>Dimensions:</u>	H X W x D mm	99 x 17.5 x 90

ORDERING GUIDE

MODEL NUMBER	DETAILS
BCP3000	Base plus Pluggable Surge Protector
BCP3005	Replacement Part: Pluggable Surge Protector

The Pluggable Surge Protector must be returned to Blue Ribbon with the Transmitter in order for the Life-Time Warranty to apply. Contact the Sales Department for an RMA number before returning product.