

SUBMITTAL DATA SHEET

Sump, Sewage, & Effluent Pumps

DuraMAC™ | Guardian

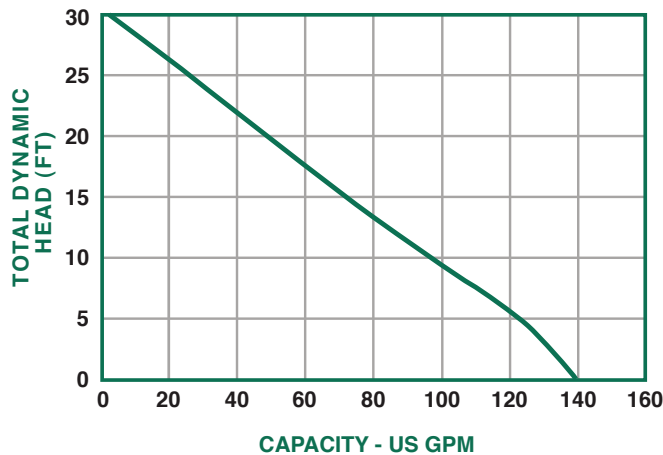
5050CUSJ15, 5050CTSJ15, & 5050CVSJ15
1/2 HP High Volume Sewage Pump



See Pumps & Accessories
 Price List for Limited
 Warranty details.

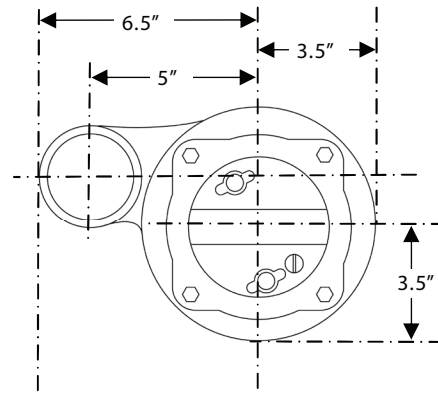
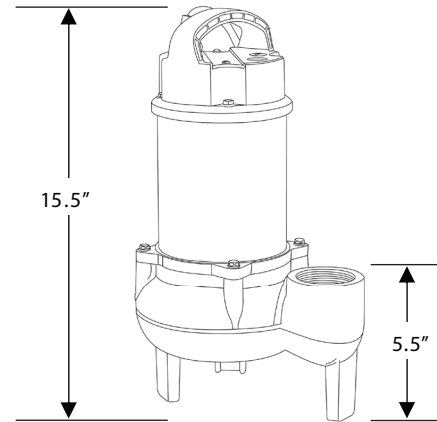
Features a stainless steel housing and a cast iron base for a high quality and dependable pump. The DuraMAC™ sewage pumps have a built-in thermal overload protection for safety and a permanent split capacitor continuous duty motor. Convenient carrying handle is attached.

Sewage Pump Performance Curve



PERFORMANCE CHART

Model	Gallons per Minute in Feet						
	0	5	10	15	20	25	30
5050CUSJ15							
5050CTSJ15							
5050CVSJ15	140	123	97	72	49	25	3



SEWAGE PUMPS - 2" DISCHARGE

Model	HP	Volts	Hz	Amps	Construction	Discharge Size	Cord Length	Solids Handling	Switch	Phase
5050CUSJ15	1/2	120	60	12	Cast Iron/Stainless Steel	2"	15'	2"	N/A	1
5050CTSJ15	1/2	120	60	12	Cast Iron/Stainless Steel	2"	15'	2"	Tethered	1
5050CVSJ15	1/2	120	60	12	Cast Iron/Stainless Steel	2"	15'	2"	Vertical	1

SUBMITTAL INFORMATION

- Non-clogging stainless steel vortex impeller
- Vertical, tethered, or no float switch



NO-LEAD: The weighted average of the wetted surface of this no-lead product contacted by consumable water contains less than one quarter of one percent (0.25%) lead.



A.Y. McDonald Mfg. Co.
 P.O. Box 508
 Dubuque, IA 52004-0508

Toll Free: 1-800-292-2737
Fax: 1-800-832-9296
Hours: 7:00 a.m. - 5:00 p.m., CST

sales@aymcdonald.com
www.aymcdonald.com

A.Y. McDonald considers the information on this assembly drawing correct when published. Item and option availability, including specifications, are subject to change without notice.

Submitted by: