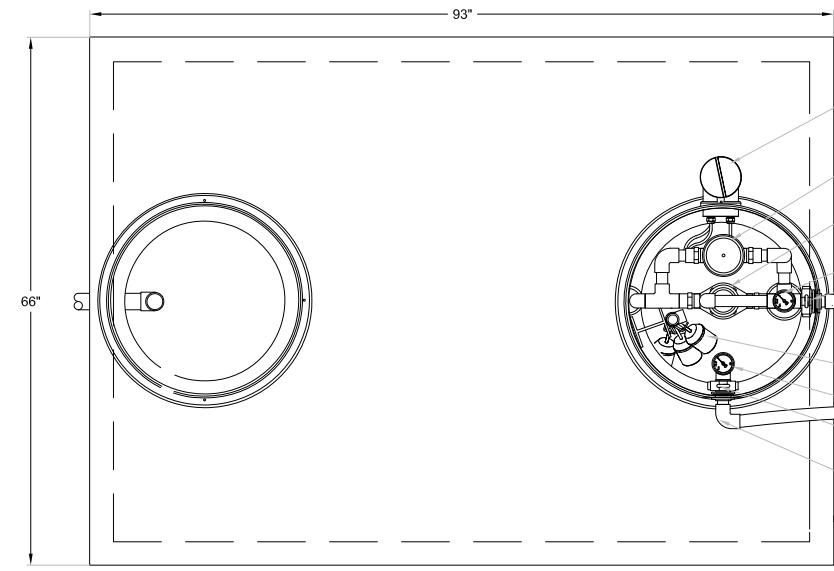


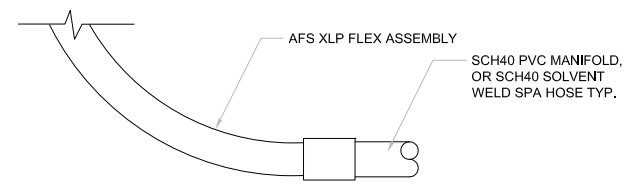
DRIP DOSE TANK PROFILE VIEW
SCALE: 1" = 2'

1
DS1.0



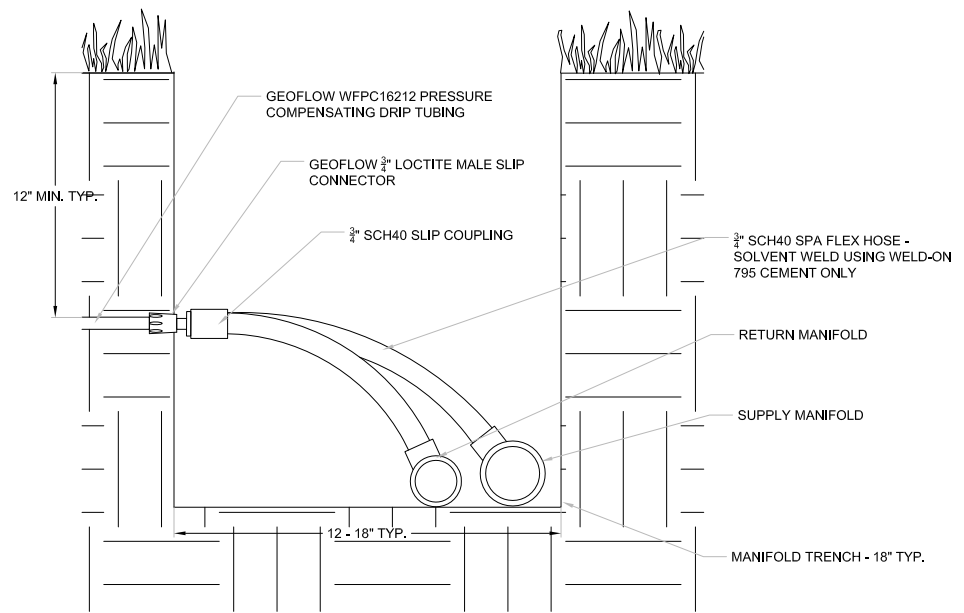
DRIP DOSE TANK PLAN VIEW
SCALE: 1" = 2'

2
DS1.0



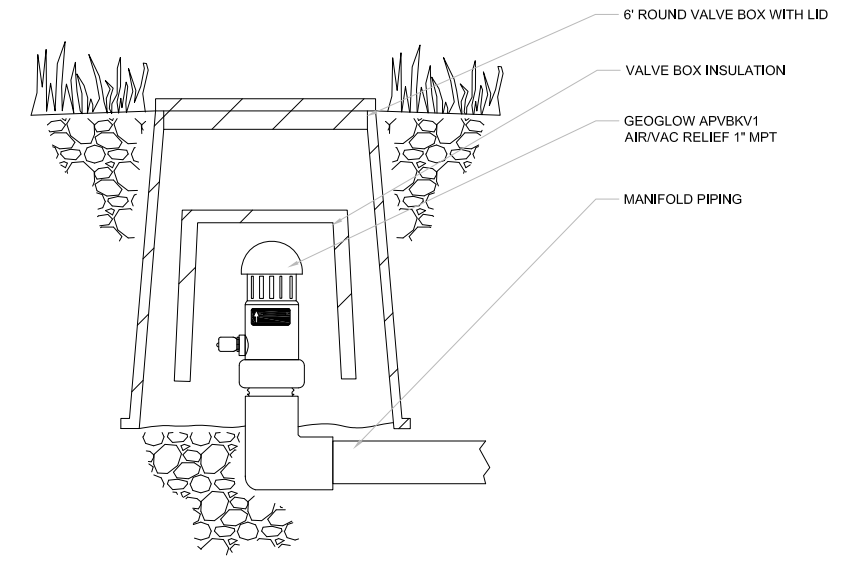
MANIFOLD LINE CONNECTION DETAIL
SCALE: NTS

4
DS1.0



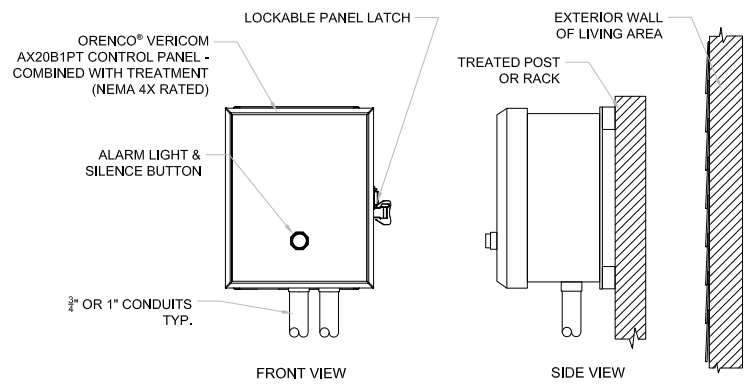
DRIP MANIFOLD TRENCH DETAIL
SCALE: NTS

5
DS1.0



AIR/VAC DETAIL
SCALE: 1" = 2'

6
DS1.0



CONTROL PANEL DETAIL
SCALE: 1" = 2'

3
DS1.0

- PANEL MOUNTING AND CIRCUIT REQUIREMENTS:**
- PANEL MUST BE MOUNTED WITHIN 50' & VISUAL SITE OF PUMP SYSTEM ACCESS COVER
 - IF MOUNTED ON AN EXTERIOR WALL, AVOID LIVING AREAS DUE TO CONTACTOR "THUMPING" HEARD IN THE INTERIOR OF THE HOME
 - USE DETAIL AT LEFT FOR ALTERNATIVE MOUNTING
 - VCOMS1B PANELS REQUIRE - (115 VOLT 1/2 HP): 3 - 20 AMP, 120 VOLT DESIGNATED CIRCUITS WITH NEUTRAL(S)
 - 5' OF ADDITIONAL WIRING REQUIRED TO THE PANEL LOCATION
 - VERICOMM PANELS REQUIRE PHONE OR ETHERNET CABLE TO PANEL FROM SWITCH OR HUB FOR REMOTE MONITORING

**AUTOMATED FLOW SYSTEMS 1000 GALLON
DRIP DOSE TANK & HEAD WORKS SYSTEM**
MODEL: AFSDSRR

DS1.0	DWG NO.	12/13/2015	DATE	N/A	SCALE	ACW	DRAWN BY	CHECKED BY
-------	---------	------------	------	-----	-------	-----	----------	------------

AIFS
AUTOMATED FLOW SYSTEMS
625 E BEST AVE
COEUR D'ALENE, IDAHO 83814
PHONE (208) 664-2133
WWW.RCWORST.COM