

Product information presented here reflects conditions at time of publication. Consult factory regarding discrepancies or inconsistencies.

PUMP COMPANY

Zoeller Family of Water Solutions™

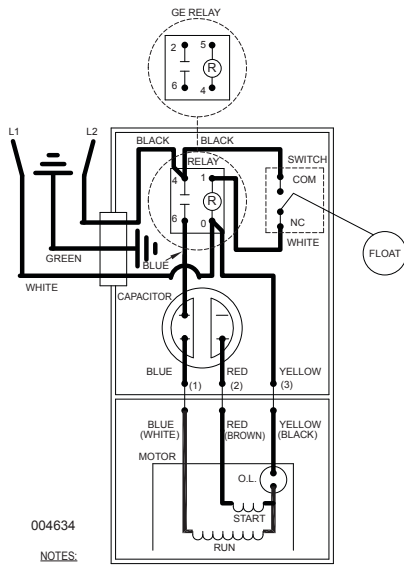
MAIL TO: P.O. BOX 16347 • Louisville, KY 40256-0347
SHIP TO: 3649 Cane Run Road • Louisville, KY 40211-1961
(502) 778-2731 • 1 (800) 928-PUMP • FAX (502) 774-3624

visit our web site:
www.zoeller.com

REPLACEMENT PARTS LIST FOR MODELS:

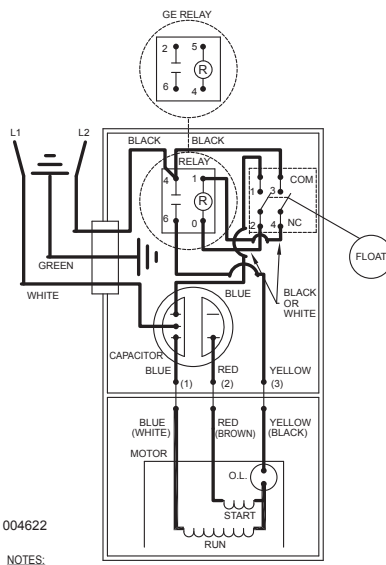
D189 AUTOMATIC 230V
E189 NONAUTOMATIC 230V
XE189 NONAUTOMATIC 230V
WD189 NONAUTOMATIC 230V

Consult factory for all others models



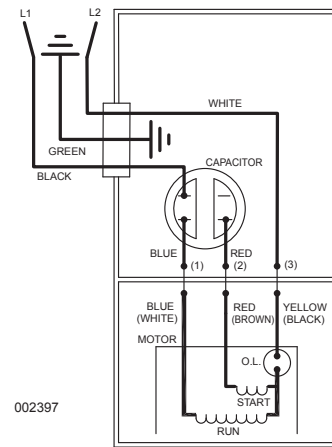
NOTES:
INSULATORS REQUIRED ON GE RELAY TERMINALS 2 & 5;
OMRON RELAY TERMINALS 1 & 4.

WIRING DIAGRAM FOR MODELS "D189-A", "D189-B" 2/85 (NR) thru 8/86 (US)

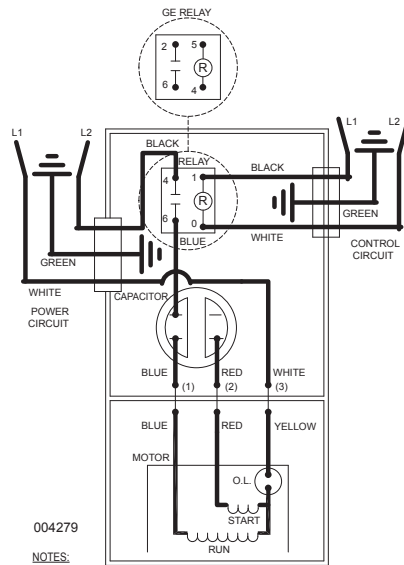


NOTES:
INSULATORS REQUIRED ON GE RELAY TERMINALS 2 & 5;
OMRON RELAY TERMINALS 1 & 4.

WIRING DIAGRAM FOR MODELS "D189-C" 9/86 (VS) thru Current

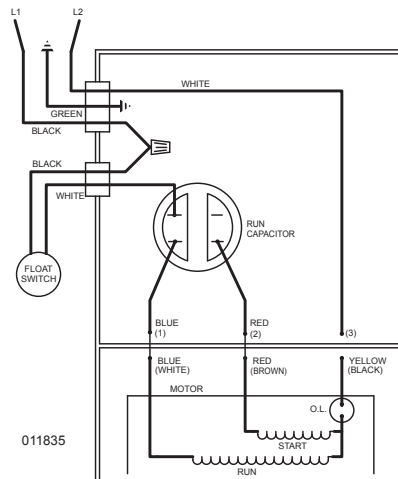


WIRING DIAGRAM FOR MODELS "E189" All Revisions 2/85 (NR) thru Current



NOTES:
INSULATORS REQUIRED ON GE RELAY TERMINALS 2 & 5;
OMRON RELAY TERMINALS 1 & 4.

WIRING DIAGRAM FOR MODELS "XE189" All Revisions 2/85 (NR) thru Current



WIRING DIAGRAM FOR MODELS "WD189-A" thru "WD189-C" 2/98 thru Current

TO ORDER REPLACEMENT PARTS:

PLEASE FURNISH THE FOLLOWING INFORMATION:

- Model Number.
- Part Number of Pump.
(If manufactured prior to June 1988, give 2 letter date code following Model No.)
- Part Number and Description of part.

REPLACEMENT PARTS LIST FOR MODELS "D189"

See page 4 for "D189" illustration.

REF. NO.	DESCRIPTION	QTY	NOTES	MODELS: D189-A						
				D189-B	D189-C	D189-D	D189-E	D189-F	D189-G	
				2/85 NR thru 7/85 TR	8/85 UR thru 8/86 US	9/86 VS thru 5/87 RT	6/87 ST thru 4/03	5/03 thru 5/08	6/08 thru 1/16	2/16 thru Current
1	Case Sw & Cord	1	2,3	004754	004754	004754	004754	014167	014167	014167
2	• Handle	1		217069	217069	217069	217069	217069	217069	217069
3	Cord Term & Seal	1	3	004205	004374	004374	004374	014174	014174	014174
4	Clamp, Strain Relief	1	3	001769	001769	001769	001769	013764	013764	013764
5	• Seal, Cord-Asm & Str Rif	1	3	004099	004375	004375	004375	015634	015634	015634
6	Case-Mach	1	3	004754	004754	004633	004633	014154	014154	014154
7	• Guard	1		001023	001023	001023	001023	001023	001023	001023
8	• Arm & Seal Asm	1	2	002379	002379	004745	004745	004745	004745	004745
9	• Gasket, Case/Cover	1		001011	001011	001011	001011	001011	001011	001011
10	Switch Asm	1	2	004206	004206	004744	004744	004744	004744	004744
11	• Wire Pkg (5) Wires	1		004174	004174	004751	004751	004751	004751	004751
12	Capacitor & Clamp Asm	1		006135	006135	006135	006135	006135	006135	006135
13	Relay	1		217093	217093	217093	217093	217093	217093	153833
14	Float, Plastic	1		094039	094039	094039	094039	094039	094039	094039
15	Guide Asm, Fit Rod	1		001072	001072	001072	001072	001072	001072	001072
16	Rod Asm, Fit	1		003083	003083	003083	003083	003083	150439	150439
17	Housing, Mtr & Str	1	1	004100	004100	004100	004993	004993	019233	019233
18	Bearing, Upper Sleeve	1		001012	001012	001012	001012	001012	NA	NA
	• Bearing, Upper Ball			NA	NA	NA	NA	NA	006703	006703
19	• Plug, Test-White	2		034090	034090	034090	034090	034090	034090	034090
20	• Seal, Thru Wall Term	3		003402	003402	003402	003402	003402	003402	003402
21	Rotor & Brg	1		004101	004101	004101	004994	004994	019225	019225
22	• Bearing, Radial	1		001013	001013	001013	001013	001013	010069	010069
23	• Seal, Mtr Hsg	1		001014	001014	001014	001014	001014	001014	001014
24	• Oil, Dielectric	1		002383	002383	002383	002383	003168	011066	011066
25	Adapter-Mach	1		001003	001003	001003	001003	001003	001003	001003
26	• Seal, Shaft	1		002430	002430	002430	002430	002430	002430	002430
27	Flange Pkg 2" Npt	1		10-1305	10-1305	10-1305	10-1305	10-1305	10-1305	10-1305
	Flange Pkg 3" Npt	1		10-1306	10-1306	10-1306	10-1306	10-1306	10-1306	10-1306
28	Impeller "189"	1		004207	004207	004207	004207	004207	004207	004207
29	Housing, Pump-Mach	1		004198	004198	004198	004188	004188	004188	004188
30	Strainer Plate	1		137008	137008	137008	137008	137008	137008	137008
31	• Screw, .25-20 X .75 HHm-SS	4		001916	001916	001916	001916	001916	001916	001916
32	• Screw, .313-18 X 1"HH Cap-SS	4		002608	002608	002608	002608	002608	002608	002608
33	• Screw, #10-24 X.375 RHM-SI SS	2		001883	001883	001883	001883	001883	001883	001883
34	• Screw, #6-32X.438Rhsitp1"Stlzi	2		001877	001877	004644	004644	004644	004644	004644
35	• Sem, 10-24X.375HH-SI Tc.688 Wash	2		002000	002000	002000	002000	002000	002000	002000
36	• Washer, SS-1.25"Odx.562"ldx.078	2		002115	002115	002115	002115	002115	002115	002115
37	• Screw, .5-13 X 2 HH Cap-SS	2		001909	001909	001909	001909	001909	001909	001909
38	• Screw, #6-32X.25RHM SI Tc Stlgr	5		001877	001877	001877	001877	001877	001877	001877
39	• Screw, .25-20 X 1" HHm-SS	4		007790	007790	007790	007790	007790	007790	007790
□	Rebuild Kit			004208	004584	004753	004753	016103	019647	019647

• Items included in Rebuild Kit.

□ Not shown in illustration.

NOTES:

- 1) Mtr. Hsg., Brg., Stator & Term. (Item 17) is preassembled at the factory and must be replaced as a unit. Stator is permanently attached to the Motor Housing. Plug (Item 19); Seal, Thru Wall Term. (Item 20) and Bearing - Upper (Item 18) are replaceable.
- 2) When ordering these parts, customer must identify if switch is a General Electric switch.
- 3) If an "X" follows Model No., or Date Mfg. on brass ID tag, consult factory for ordering of this part.
- 4) See FM0160 Parts Price Sheet for listing of parts prices.
- 5) "NA" indicates, not applicable.

REPLACEMENT PARTS LIST FOR MODELS "E189"

See page 4 for "E189" illustration.

REF. NO.	DESCRIPTION	QTY	NOTES	MODELS: E189-A					
				E189-B	E189-C	E189-D	E189-E	E189-F	
				2/85 NR thru 7/85 TR	8/85 UR thru 8/86 US	9/86 VS thru 5/87 RT	6/87 ST thru 4/03	5/03 thru 5/08	6/08 thru Current
1	• Handle	1		217069	217069	217069	217069	217069	217069
2	Cover & Cord	1	2	004097	004097	004097	004097	014162	014162
3	Cord Term & Seal	1	2	004098	004376	004376	004376	014175	014175
4	Clamp, Strain Relief	1	2	001769	001769	001769	001769	013764	013764
5	• Seal, Cord Asm & Str Rlf	1	2	004099	004375	004375	004375	015634	015634
6	Cover-Mach	1	2	002699	004372	004372	004372	014150	014150
7	• Gasket, Case/Cover	1		001011	001011	001011	001011	001011	001011
8	• Wire Pkg (5) Wires	1		004174	004174	004751	004751	004751	004751
9	• Capacitor & Clamp Asm	1		006135	006135	006135	006135	006135	006135
10	Housing, Mtr & Str	1	1	004100	004100	004100	004993	004993	019233
11	Bearing, Upper Sleeve	1		001012	001012	001012	001012	001012	NA
	• Bearing, Upper Ball			NA	NA	NA	NA	NA	006703
12	• Plug, Test-White	2		034090	034090	034090	034090	034090	034090
13	• Seal, Thru Wall Term	3		003402	003402	003402	003402	003402	003402
14	Rotor & Brg	1		004101	004101	004101	004994	004994	019225
15	• Bearing, Radial	1		001013	001013	001013	001013	001013	010069
16	• Seal, Mtr Hsg	1		001014	001014	001014	001014	001014	001014
17	• Oil, Dielectric	1		002383	002383	002383	002383	003168	011066
18	Adapter-Mach	1		001003	001003	001003	001003	001003	001003
19	• Seal, Shaft	1		002430	002430	002430	002430	002430	002430
20	Flange Pkg 2" Npt	1		10-1305	10-1305	10-1305	10-1305	10-1305	10-1305
	Flange Pkg 3" Npt	1		10-1306	10-1306	10-1306	10-1306	10-1306	10-1306
21	Impeller "189"	1		004207	004207	004207	004207	004207	004207
22	Housing, Pump-Mach	1		004198	004198	004198	004188	004188	004188
23	Strainer Plate	1		137008	137008	137008	137008	137008	137008
24	• Screw, .25-20 X .75 HHm-SS	4		001916	001916	001916	001916	001916	001916
25	• Screw, .313-18 X 1" HH Cap-SS	2		002608	002608	002608	002608	002608	002608
26	• Screw, #10-24 X.375 RHM-SI SS	2		001883	001883	001883	001883	001883	001883
27	• Sem, 10-24x.375HH-SI Tc.688 Wash	2		002000	002000	002000	002000	002000	002000
28	• Screw, .5-13 X 2 HH Cap-SS	2		001909	001909	001909	001909	001909	001909
29	• Washer, SS-1.25"Odx.562"ldx.078	2		002115	002115	002115	002115	002115	002115
30	• Screw, #6-32x.25RHM SI Tc Stlgr	3		001877	001877	001877	001877	001877	001877
31	• Screw, .25-20x1" HHM-SS	4		007790	007790	007790	007790	007790	007790
□	Rebuild Kit			004208	004584	004753	004753	014193	019648

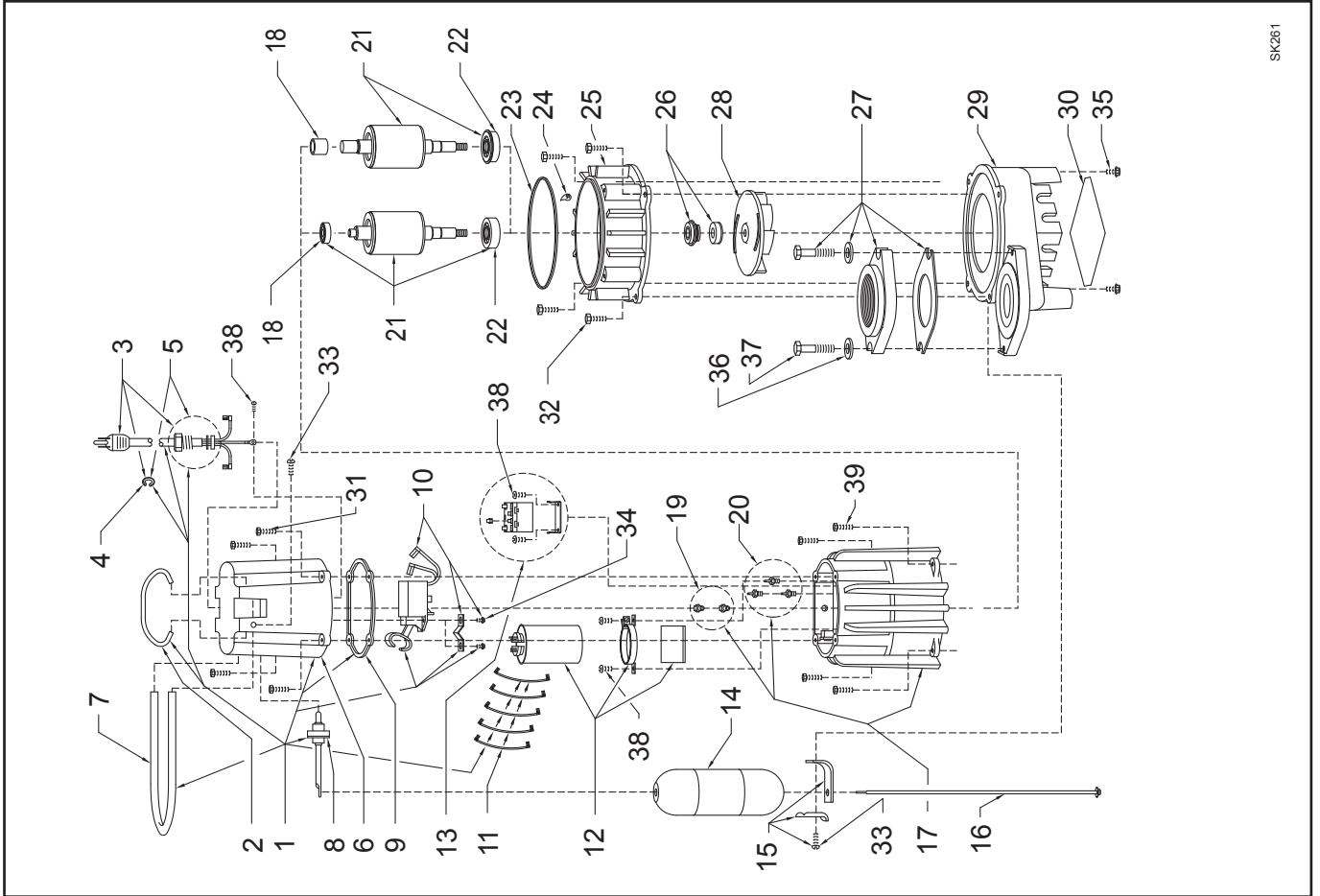
• Items included in Rebuild Kit.

□ Not shown in illustration.

NOTES:

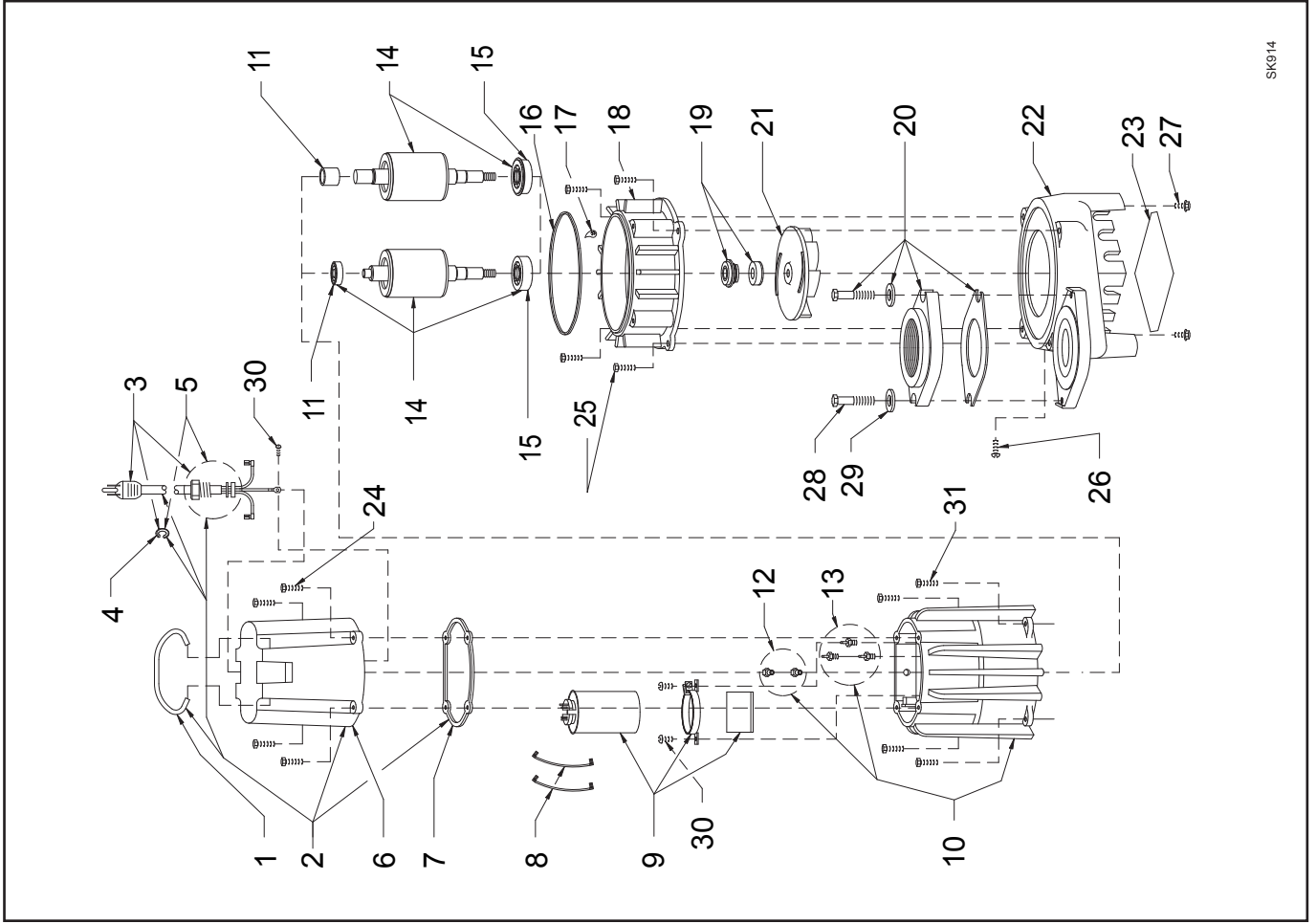
- 1) Mtr. Hsg., Brg., Stator & Term. (Item 10) is preassembled at the factory and must be replaced as a unit. Stator is permanently attached to the Motor Housing. Plug (Item 12); Seal, Thru Wall Term. (Item 13) and Bearing - Upper (Item 11) are replaceable.
- 2) If an "X" follows Model No., or Date Mfg. on brass ID tag, consult factory for ordering of this part.
- 3) See FM0160 Parts Price Sheet for listing of parts prices.
- 4) "NA" indicates, not applicable.

REPLACEMENT PARTS ILLUSTRATION FOR MODEL "D189"



SK261

REPLACEMENT PARTS ILLUSTRATION FOR MODEL "E189"



SK914

REPLACEMENT PARTS LIST FOR MODELS "XE189"

See page 6 for "XE189" illustration.

REF. NO.	DESCRIPTION	QTY	NOTES	MODELS: XE189-A					XE189-E
				2/85 NR thru 7/85 TR	8/85 UR thru 8/86 US	9/86 VS thru 5/87 RT	6/87 ST thru 3/98	4/98 thru Current	
1	• Handle	1		217069	217069	217069	217069	217069	
2	Cover & Cord	1	2	004280	004280	004280	004280	011040	
3	Cord Term & Seal	1	2	004098	004376	004376	004376	004376	
4	• Seal, Cord-Asm & Str Rif	1		004099	004375	004375	004375	004375	
5	Clamp, Strain Relief	1		001769	001769	001769	001769	001769	
6	Cord Term & Seal	1	2	004281	004377	004377	004377	011042	
7	Seal, Cord-Asm & Str Rif	1		002351	004378	004378	004378	094032	
8	Clamp, Strain Relief	1		001770	001770	001770	001770	001770	
9	Cover-Mach	1		004276	004373	004373	004373	008857	
10	• Gasket, Case/Cover	1		001011	001011	001011	001011	001011	
11	• Wire Pkg (5) Wires	1		004174	004174	004751	004751	004751	
12	Relay	1		217093	217093	217093	217093	217093	
13	Capacitor & Clamp Asm	1		006135	006135	006135	006135	006135	
14	Housing, Mtr & Str	1	1	004100	004100	004100	004993	004993	
15	Bearing, Sleeve	1		001012	001012	001012	001012	001012	
16	• Plug, Test-White	2		034090	034090	034090	034090	034090	
17	• Seal, Thru Wall Term	3		003402	003402	003402	003402	003402	
18	Rotor & Brg	1		004101	004101	004101	004994	004994	
19	• Bearing, Radial	1		001013	001013	001013	001013	001013	
20	• Seal, Mtr Hsg	1		001014	001014	001014	001014	001014	
21	• Oil, Dielectric	1		002383	002383	002383	002383	002383	
22	Adapter-Mach	1		001003	001003	001003	001003	001003	
23	• Seal, Shaft	1		002430	002430	002430	002430	002430	
24	Flange Pkg 2" Npt	1		10-1305	10-1305	10-1305	10-1305	10-1305	
	Flange Pkg 3" Npt	1		10-1306	10-1306	10-1306	10-1306	10-1306	
25	Impeller "189"	1		004207	004207	004207	004207	004207	
26	Housing, Pump-Mach	1		004198	004198	004198	004188	004188	
27	Strainer Plate	1		137008	137008	137008	137008	137008	
28	• Screw, .25-20 X .75 HHm-SS	4		001916	001916	001916	001916	001916	
29	• Screw, .313-18 X 1"HH Cap-SS	4		002608	002608	002608	002608	002608	
30	Screw, #10-24 X.375 RHM-SI SS	2		001883	001883	001883	001883	001883	
31	• Sem, 10-24x.375HH-SI Tc.688 Wash	2		002000	002000	002000	002000	002000	
32	• Screw, .5-13 X 2 HH Cap-SS	2		001909	001909	001909	001909	001909	
33	• Washer, SS-1.25"Odx.562"ldx.078	2		002115	002115	002115	002115	002115	
34	• Screw, #6-32x.25RHM SI Tc Stlgr	4		001877	001877	001877	001877	001877	
35	• Screw, .25-20x1" HHM-SS	4		007790	007790	007790	007790	007790	
□	Rebuild Kit	1		004208	004584	004753	004753	004753	

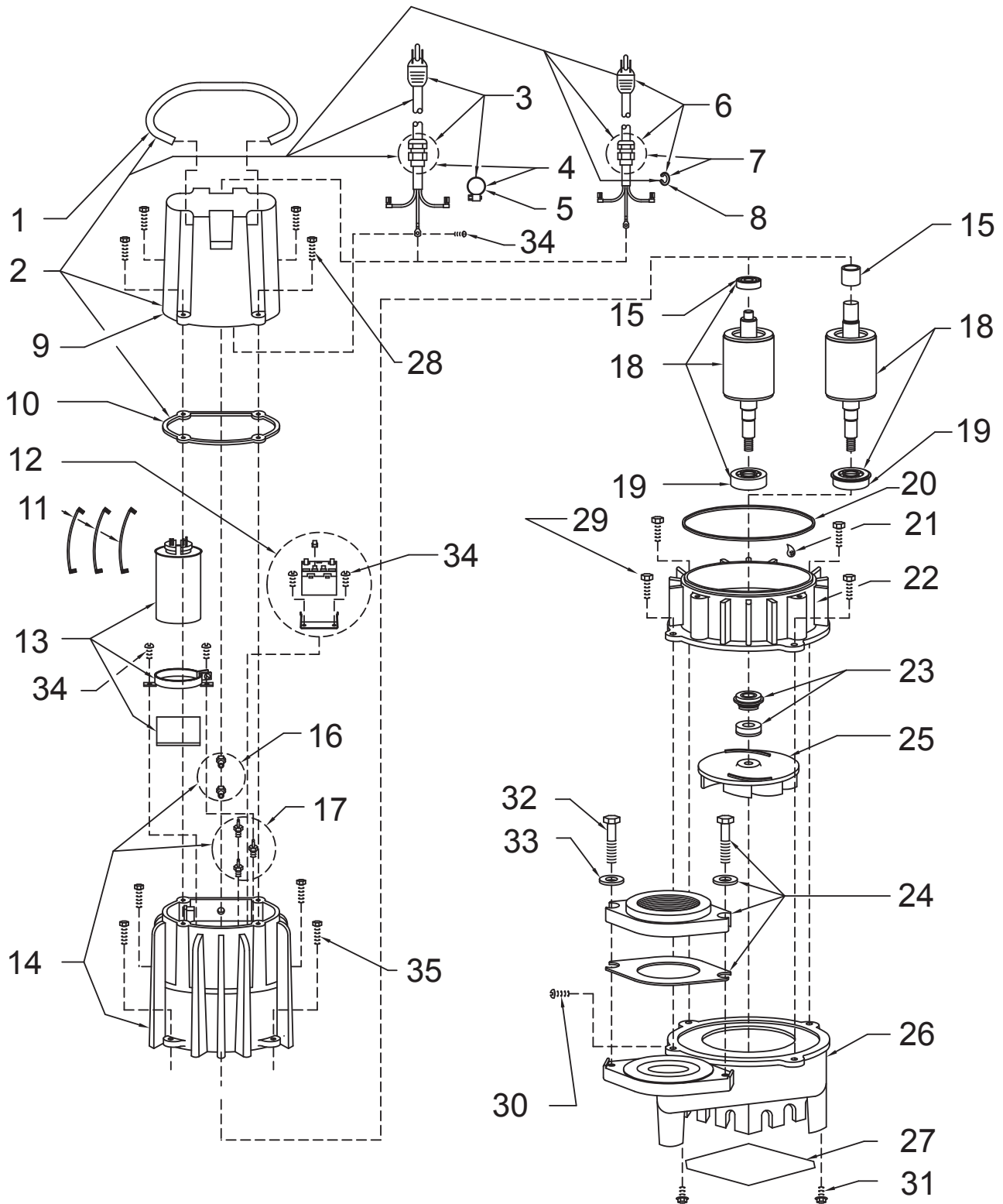
• Items included in Rebuild Kit.

□ Not shown in illustration.

NOTES:

- 1) Mtr. Hsg., Brg., Stator & Term. (Item 14) is preassembled at the factory and must be replaced as a unit. Stator is permanently attached to the Motor Housing. Plug (Item 16); Seal, Thru Wall Term. (Item 17) and Bearing - Upper (Item 15) are replaceable.
- 2) If an "X" follows Model No., or Date Mfg. on brass ID tag, consult factory for ordering of this part.
- 3) See FM0160 Parts Price Sheet for listing of parts prices.
- 4) "NA" indicates, not applicable.

REPLACEMENT PARTS ILLUSTRATION FOR MODEL "XE189"



SK915

REPLACEMENT PARTS LIST FOR MODELS "WD189"

See page 8 for "WD189" illustration.

REF. NO.	DESCRIPTION	QTY	NOTES	MODELS: WD189-A			WD189-B	WD189-C
				2/98 thru 4/03	5/03 thru 5/08	6/08 thru Current		
1	• Handle	1		217069	217069	217069		
2	Cover, Cord & Switch	1	2	011874	016113	016113		
3	Cord Term & Seal	1	2	015353	016115	016115		
4	Float Switch, Term & Seal	1		011876	011876	011876		
5	• Seal, Cord-Asm & Str Rif	1		004375	015634	015634		
6	• Seal, Float Switch Cord-Asm & Str Rif	1	2	094032	094032	094032		
7	Connector, Wirenut	1		011868	011868	011868		
8	Cover-Mach & Handle Asm	1		011078	016105	016105		
9	• Gasket, Case/Cover	1		001011	001011	001011		
10	• Wire Pkg (5) Wires	1		004751	004751	004751		
11	Capacitor & Clamp Asm	1		006135	006135	006135		
12	Housing, Mtr & Str	1	1	004993	004993	019233		
13	Bearing, Upper Sleeve	1		001012	001012	NA		
	• Bearing, Upper Ball			NA	NA	006703		
14	• Plug, Test-White	2		034090	034090	034090		
15	• Seal, Thru Wall Term	3		003402	003402	003402		
16	Rotor & Brg	1		004994	004994	019225		
17	• Bearing, Radial	1		001013	001013	010069		
18	• Seal, Mtr Hsg	1		001014	001014	001014		
19	• Oil, Dielectric	1		002383	002383	011066		
20	Adapter-Mach	1		001003	001003	001003		
21	• Seal, Shaft	1		002430	002430	002430		
22	Impeller "189"	1		004207	004207	004207		
23	Housing, Pump-Mach	1		004188	004188	004188		
24	Strainer Plate	1		137008	137008	137008		
25	Flange Pkg 2" NPT	1		10-1305	10-1305	10-1305		
	Flange Pkg 3" NPT	1		10-1306	10-1306	10-1306		
26	• Sem, 10-24x.375HH-SI Tc.688 Wash	2		002000	002000	002000		
27	• Screw, .25-20 X .75 HHm-SS	4		001916	001916	001916		
28	• Screw, .313-18 X 1"HH Cap-SS	4		002608	002608	002608		
29	• Screw, .25-20x1" HHM-SS	4		007790	007790	007790		
30	• Screw, #6-32x.25RHM SI Tc Stlgr	3		001877	001877	001877		
31	• Washer, SS-1.25"Odx.562"ldx.078	2		002115	002115	002115		
32	• Screw, .5-13 X 2 HH Cap-SS	2		001909	001909	001909		
33	• Screw, #10-24 X.375 RHM-SI SS	1		001883	001883	001883		
▣	Rebuild Kit	1		011877	014193	019648		

• Items included in Rebuild Kit.

▣ Not shown in illustration.

NOTES:

- 1) Mtr. Hsg., Brg., Stator & Term. (Item 12) is preassembled at the factory and must be replaced as a unit. Stator is permanently attached to the Motor Housing. Plug (Item 14); Seal, Thru Wall Term. (Item 15) and Bearing - Upper (Item 13) are replaceable.
- 2) If an "X" follows Model No., or Date Mfg. on brass ID tag, consult factory for ordering of this part.
- 3) See FM0160 Parts Price Sheet for listing of parts prices.
- 4) "NA" indicates, not applicable.



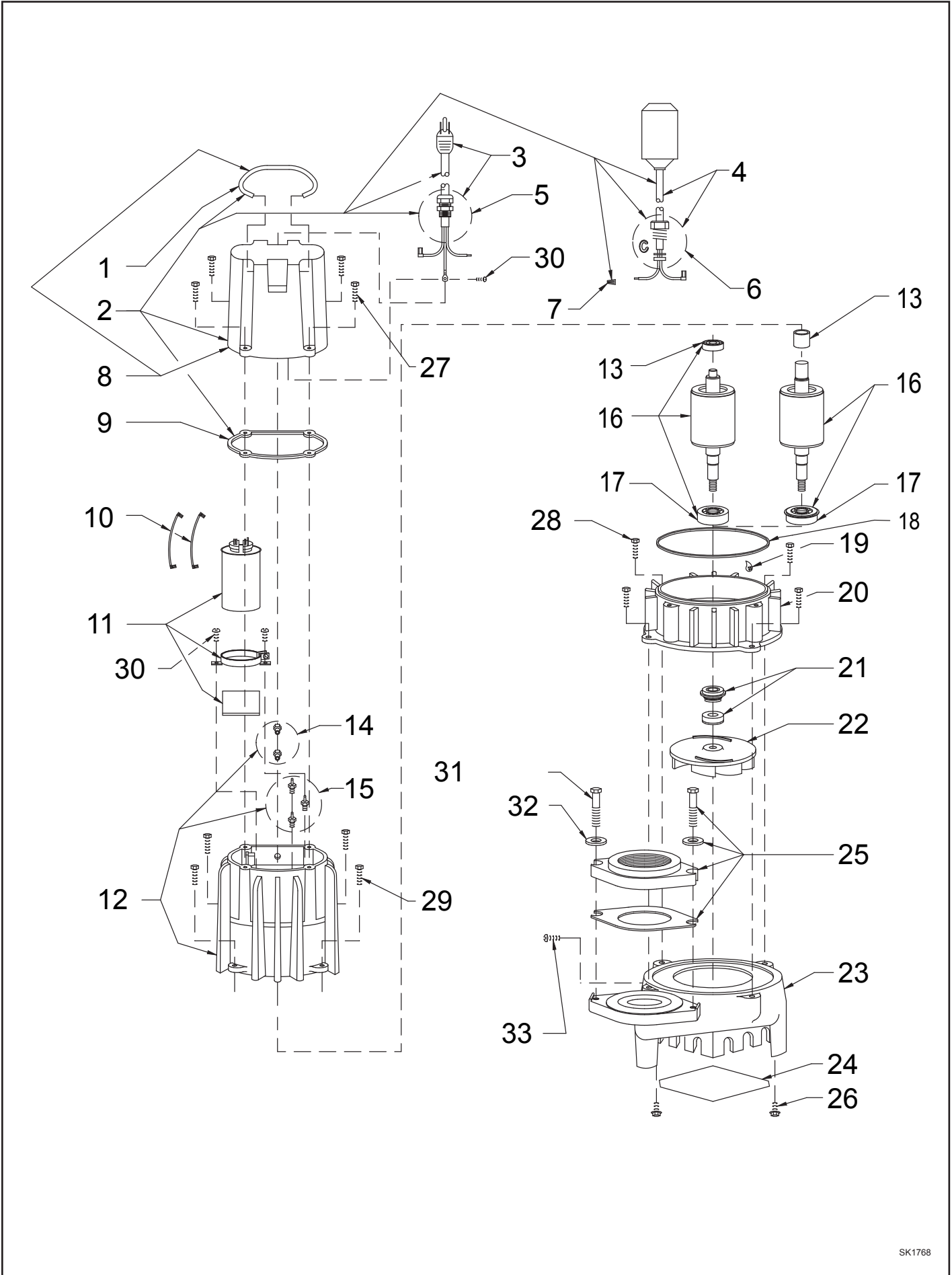
PUMP COMPANY

MAIL TO: P.O. BOX 16347 • Louisville, KY 40256-0347
 SHIP TO: 3649 Cane Run Road • Louisville, KY 40211-1961
 (502) 778-2731 • 1 (800) 928-PUMP • FAX (502) 774-3624

Your Peace of Mind is Our Top Priority®

visit our web site:
www.zoeller.com

REPLACEMENT PARTS ILLUSTRATION FOR MODEL "WD189"



SK1768