

# 10LVM3A,B

Spacer Coupling/C-Face Motors  
10" Discharge, Standard (Inches)

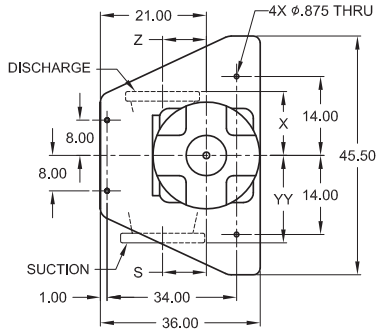
# WEINMAN®

www.cranepumps.com

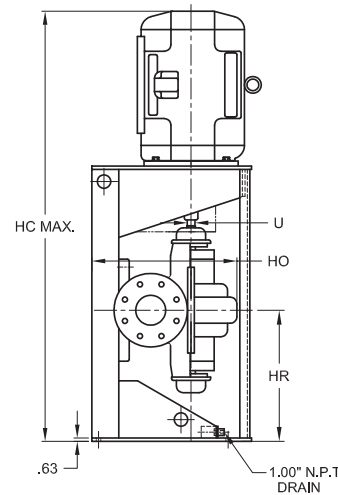
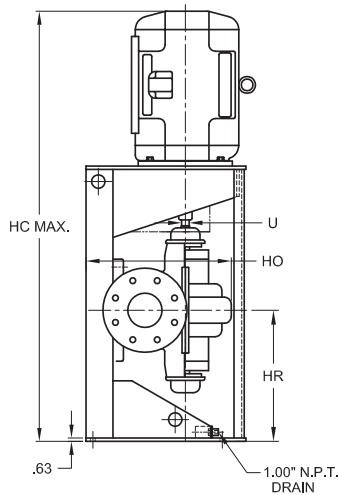
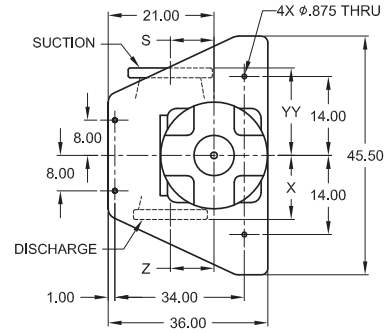
## Split Case Pumps - Vertically Mounted

PUMP NO.	PUMP: TDH: GPM: ROTATION: FIGURE NO:	MOTOR: HP: RPM: PHASE: ENCLOSURE:	VOLTS:  HZ: FRAME:
FOR:			
CERT. BY:	DATE:		

**FIGURE 1  
CLOCKWISE ROTATION**



**FIGURE 2  
COUNTER CLOCKWISE ROTATION**



NOT FOR CONSTRUCTION, INSTALLATION OR APPLICATION PURPOSES UNLESS OTHERWISE CERTIFIED

FILE: D00422

**DIMENSIONS IN INCHES**

PUMP	DISCH.	SUCT.	HO	S	X	YY	Z
10LVM3A,B	10	12	34.50	10.00	16.00	20.50	10.00

KEYWAY	U
.375 x .188	1.562

**DIMENSIONS IN INCHES**

HORSEPOWER			3 PH MOTOR FRAME	HC	HR	SHAFT SEP
3500	1750	1150				
	25	15	284TC	78.94	25.19	5.0
	30	20	286TC	78.94	25.19	5.0
	40	25	324TC	81.25	24.56	5.0
	50	30	326TC	81.25	24.56	5.0
	60	40	364TC	82.56	23.97	5.0
	75	50	365TC	82.56	23.97	5.0
	100	60	404TSC	82.56	25.56	5.0
	125	75	405TSC	82.56	25.56	5.0
	150	100	444TSC	92.31	25.06	5.0

**NOTES:**

- ALL DIMENSIONS ±.13 EXCEPT WHERE NOTED.  
"HR" DIM. ±.25

SECTION 1100  
PAGE 18  
DATE 4/14

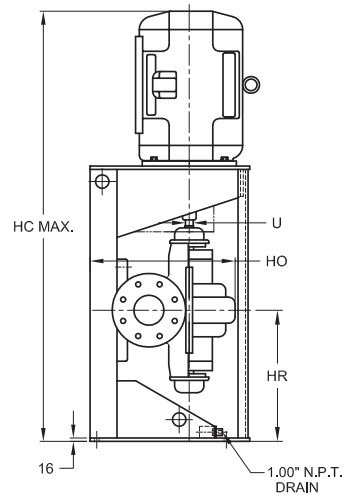
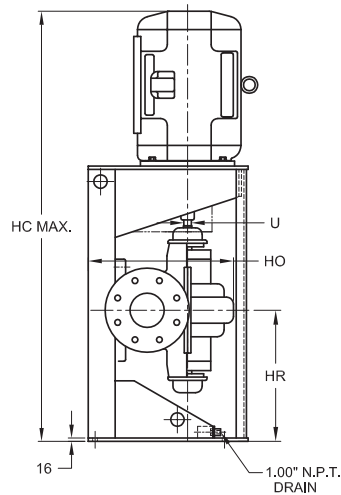
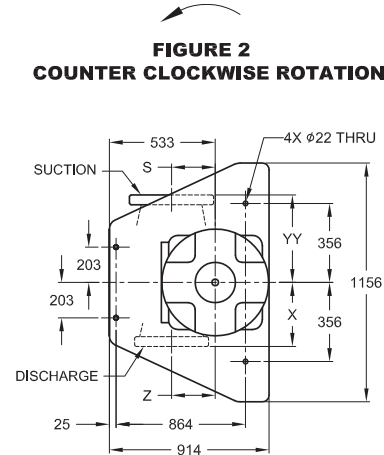
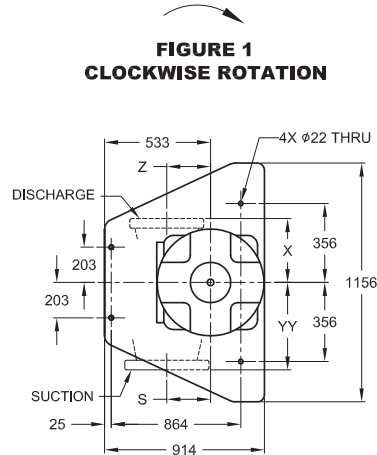
**CRANE**  
A Crane Co. Company

**PUMPS & SYSTEMS**

USA: (937) 778-8947 • Canada: (905) 457-6223 • International: (937) 615-3598

### Split Case Pumps - Vertically Mounted

<b>PUMP NO.</b>	<b>PUMP:</b>	<b>MOTOR:</b>	<b>VOLTS:</b>
<b>FOR:</b>	<b>TDH:</b>	<b>HP:</b>	<b>HZ:</b>
<b>CERT. BY:</b>	<b>GPM:</b>	<b>RPM:</b>	<b>FRAME:</b>
<b>DATE:</b>	<b>ROTATION:</b>	<b>PHASE:</b>	
	<b>FIGURE NO:</b>	<b>ENCLOSURE:</b>	



NOT FOR CONSTRUCTION, INSTALLATION OR APPLICATION PURPOSES UNLESS OTHERWISE CERTIFIED FILE: D00422m

**DIMENSIONS IN MILLIMETERS (Except where noted)**

PUMP	DISCH. (inch)	SUCT. (inch)	HO	S	X	YY	Z
10LVM3A,B	10	12	876	254	406	521	254

KEYWAY	U
9.5 x 4.8	40

**NOTES:**

- ALL DIMENSIONS ± 3.3mm EXCEPT WHERE NOTED.  
"HR" DIM. ± 6.3mm

**DIMENSIONS IN MILLIMETERS (Except where noted)**

HORSEPOWER			3 PH MOTOR FRAME	HC	HR	SHAFT SEP
3500	1750	1150				
	25	15	284TC	2005	640	127
	30	20	286TC	2005	640	127
	40	25	324TC	2064	624	127
	50	30	326TC	2064	624	127
	60	40	364TC	2097	609	127
	75	50	365TC	2097	609	127
	100	60	404TSC	2097	649	127
	125	75	405TSC	2097	649	127
	150	100	444TSC	2345	637	127