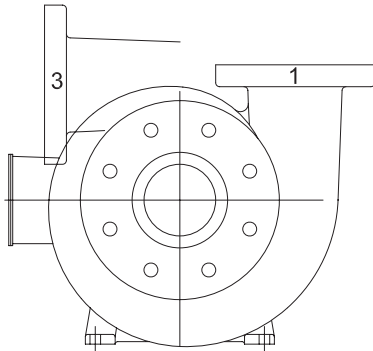


### Close Coupled End Suction, Flanged Connection

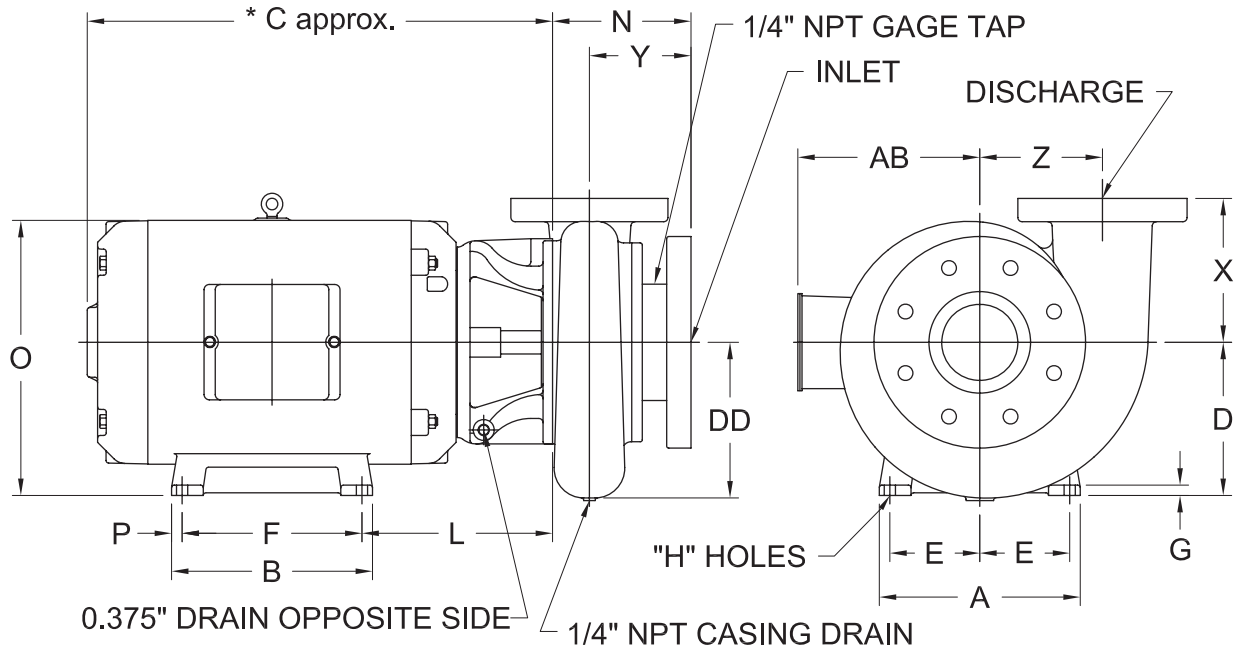
PUMP NO.		PUMP:		FLANGE RATING:		ENCLOSURE:	
FOR:		TDH:		HP:		VOLTS:	
CERT. BY:		GPM:		RPM:		HZ:	
DATE:		PUMP SIZE:		PHASE:		FRAME:	
		MOTOR:					

#### DISCHARGE POSITIONS



#### DIMENSIONS FOR 125# AND 300#

PUMP	DISCH. (INCH)	INLET (INCH)	N	X	Y	Z	DD
4G	4	5	7.13	7.75	4.69	5.50	7.38
4G1	4	5	7.13	7.75	4.69	5.50	7.38
4GL	4	5	7.13	7.75	4.69	5.50	7.38
4KL	4	5	7.56	8.63	5.50	6.75	8.88
4K	4	5	7.00	10.00	5.00	8.13	10.75
4KS	4	5	7.00	10.00	5.00	8.13	10.75
5G	5	6	8.50	8.50	6.00	7.25	9.94
6G	6	8	9.13	9.50	6.50	8.50	11.44
6K	6	8	8.50	12.00	6.50	9.00	11.56



#### CONNECTIONS FOR 125# STANDARD FLANGES (inches)

MOTOR												ODP	TEFC		
FRAME	ADAPTER	A	B	* C	* C	D	E	F	G	H	L	O	O	P	AB
213JP	C6385-1-A2	10.50	7.00	18.50	20.38	5.25	4.25	5.50	.63	.41	9.56	10.63	11.25	.75	9.25
215JP	C6385-1-A2	10.50	8.38	20.50	22.38	5.25	4.25	7.00	.63	.41	9.94	10.63	11.25	.75	9.25
254JP	C6385-1-A2	12.50	10.00	22.88	24.75	6.25	5.00	8.25	.88	.53	10.44	12.50	13.25	1.13	10.75
256JP	C6385-1-A2	12.50	11.75	24.63	26.50	6.25	5.00	10.00	.88	.53	10.44	12.50	13.25	1.13	10.75
284JP	C6679-A2	14.00	12.25	24.63	26.75	7.00	5.50	9.50	.88	.53	10.44	14.00	15.00	1.38	12.75
286JP	C6679-A2	14.00	13.75	26.13	28.13	7.00	5.50	9.50	.88	.53	10.44	14.00	15.00	1.38	12.75
324JP	C6679-A2	16.00	13.00	26.63	28.75	8.00	6.25	10.50	1.00	.66	10.94	16.00	17.00	1.63	15.25
326JP	C6679-A2	16.00	14.50	28.13	30.25	8.00	6.25	12.00	1.00	.66	10.94	16.00	17.00	1.63	15.25

# Models "G, K, KL, KS"

Horizontal Close-Coupled End Suction Pumps  
 Pump Motors with Shaft Group 2 Impeller Fit - Metric (mm)

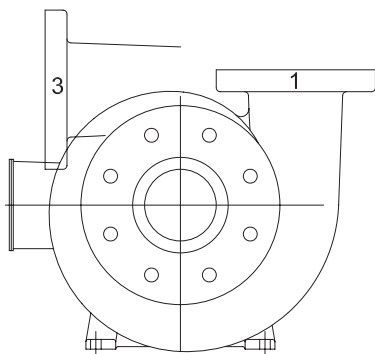
# WEINMAN®

www.cranepumps.com

## Close Coupled End Suction, Flanged Connection

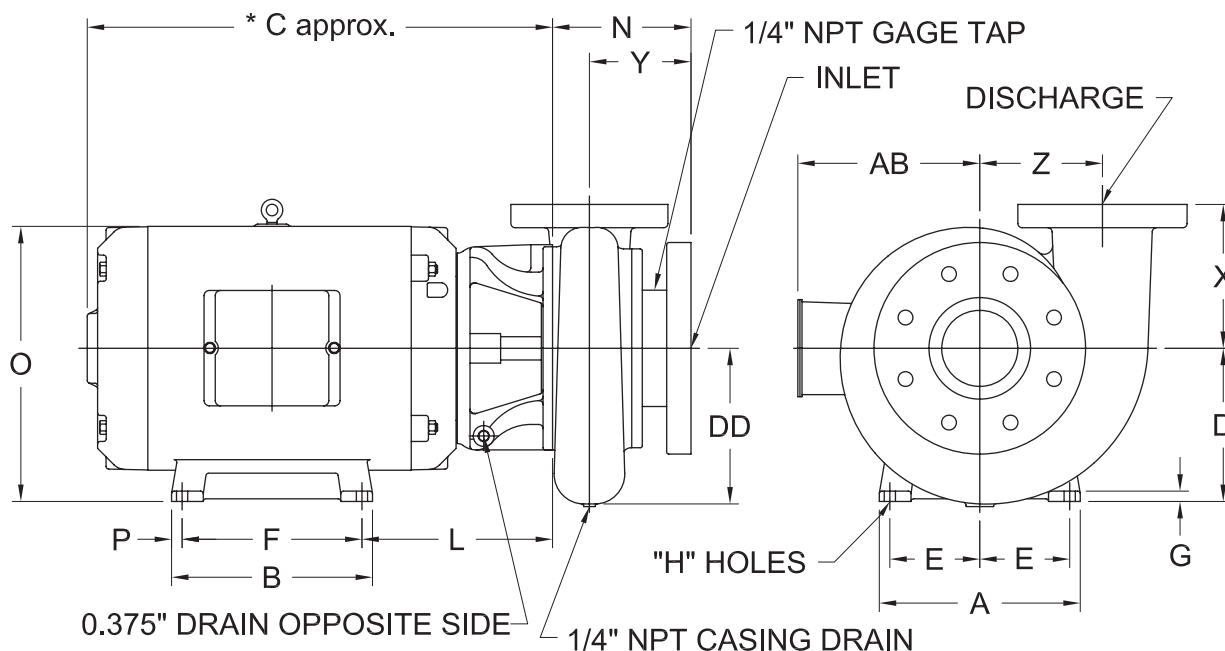
PUMP NO.		PUMP:		FLANGE RATING:		ENCLOSURE:	
FOR:		TDH:				VOLTS:	
CERT. BY:		GPM:		HP:		HZ:	
DATE:		PUMP SIZE:		RPM:		FRAME:	
		MOTOR:		PHASE:			

### DISCHARGE POSITIONS



### DIMENSIONS FOR 125# AND 300#

PUMP	DISCH. (INCH)	INLET (INCH)	N	X	Y	Z	DD
4G	4	5	181	197	119	140	187
4G1	4	5	181	197	119	140	187
4GL	4	5	181	197	119	140	187
4KL	4	5	192	219	140	171	225
4K	4	5	178	254	127	206	273
4KS	4	5	178	254	127	206	273
5G	5	6	216	216	152	184	252
6G	6	8	232	241	165	216	290
6K	6	8	216	305	165	229	294



### CONNECTIONS FOR 125# STANDARD FLANGES (inches)

MOTOR												ODP	TEFC		
FRAME	ADAPTER	A	B	* C	* C	D	E	F	G	H	L	O	O	P	AB
213JP	C6385-1-A2	267	178	470	518	133	108	140	16	10	243	270	286	19	235
215JP	C6385-1-A2	267	213	521	568	133	108	178	16	10	252	270	286	19	235
254JP	C6385-1-A2	318	254	581	629	159	127	210	22	13	265	318	337	29	273
256JP	C6385-1-A2	318	298	625	673	159	127	254	22	13	265	318	337	29	273
284JP	C6679-A2	356	311	625	679	178	14	241	22	13	265	356	381	35	324
286JP	C6679-A2	356	349	664	714	178	140	241	22	13	265	356	381	35	324
324JP	C6679-A2	406	330	676	730	203	159	267	25	17	278	406	432	41	387
326JP	C6679-A2	406	368	714	768	203	159	305	25	17	278	406	432	41	387

SECTION 310  
 PAGE 14  
 DATE 10/12

**CRANE**  
 A Crane Co. Company

PUMPS & SYSTEMS

USA: (937) 778-8947 • Canada: (905) 457-6223 • International: (937) 615-3598