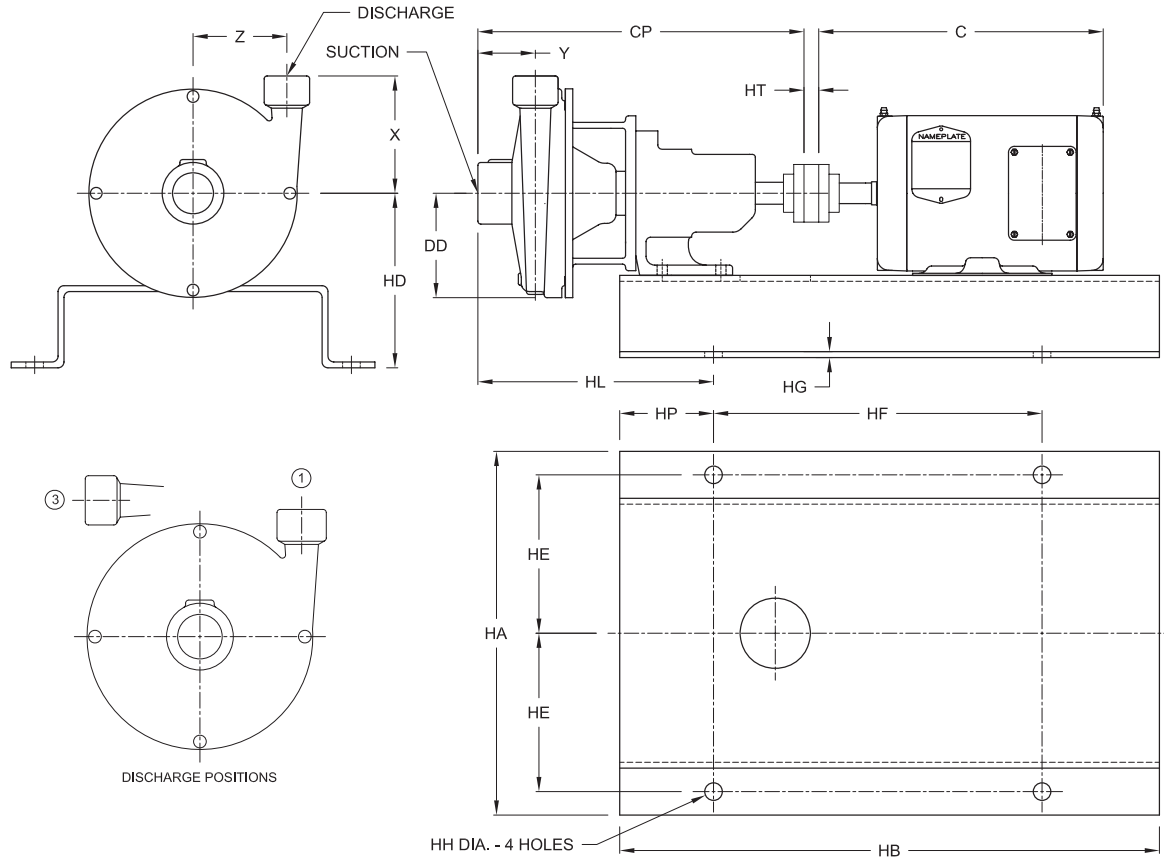


Frame Mounted End Suction, Threaded Connections

PUMP NO.	PUMP:	MOTOR:	VOLTS:
FOR:	TDH:	HP:	HZ:
CERT. BY:	GPM:	RPM:	FRAME:
DATE:	ROTATION:	PHASE:	
	FIGURE NO:	ENCLOSURE:	



Pump	Dis.	Suc.	HL	X	Y	Z	CP	DD
4AE-BA6	1	1.50	10.13	5.00	2.50	4.00	13.94	4.88
6AC-BA6	1.50	2	10.38		2.63	3.75	14.19	
6AE-BA6	1.50	2				4.00	14.44	5.13
8AC-BA6	2	2.50	10.63	5.50	2.75			5.00

Horsepower				Motor Frame	Base	C		HA	HB	HD	HE	HF	HG	HH	HP	HT
3 Phase		1 Phase				DP	TE									
3500	1750	3500	1750	143T	010026	12.81	11.50	15.50	23.00	7	675	14.00	25.00	.75	4	.63
2	1.50	2	1.50	145T												
3																
3, 5		3		182T	010027	13.63	16.13			8						
5, 7.50		3, 5		184T												
7.50, 10				213T	010028	15.50	18.63			8.75						
10, 15				215T												