

Pump Assembly

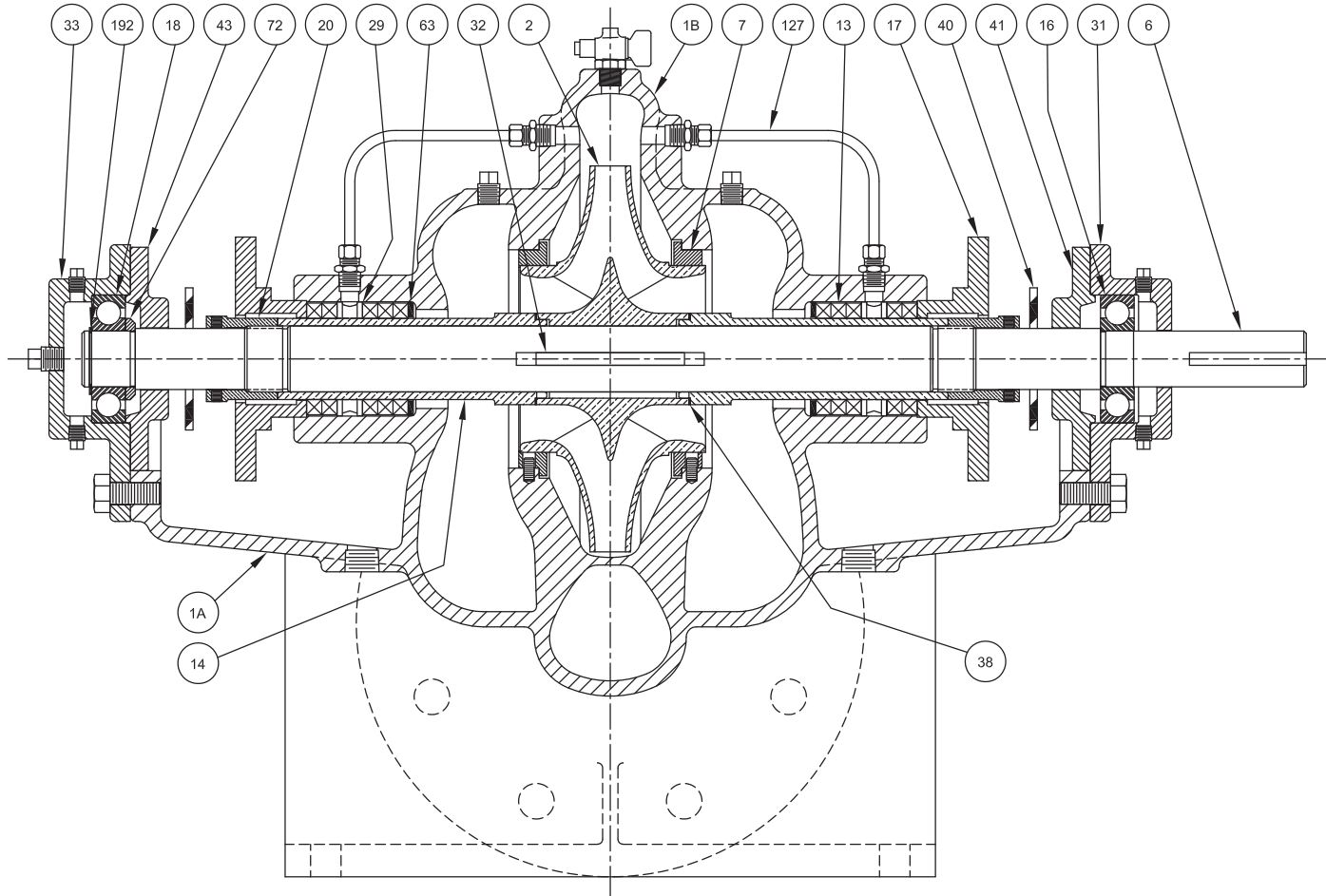
Models L1, L2, L3, L4, L5, L6
Bulletin 1200

WEINMAN®

www.cranepumps.com

Split Case Pumps - Horizontally Mounted

Double Suction with Stuffing Box



Item No.	Name of Part	Item No.	Name of Part
1A	Lower Half Casing	* 32	Impeller Key
1B	Upper Half casing	33	Bearing Housing (Outboard)
* 2	Impeller	* 38	Shaft Sleeve Gasket
* 6	Pump Shaft	40	Deflector (Liquid)
* 7	Casing Ring	41	Bearing Cap (Inboard)
‡ * 8	Impeller Ring (Not Shown)	43	Bearing Cap (Outboard)
* 13	Packing	63	Stuffing Box Bushing
* 14	Shaft Sleeve	69	Lock Washer
* 16	Ball Bearing (Inboard)	72	Thrust Collar
17	Split Gland	* 73	Casing Gasket - Suction Side (Not Shown)
* 18	Ball Bearing (Outboard)	* 73A	Casing Gasket - Discharge Side (Not Shown)
20	Shaft Sleeve Nut	127	Seal Piping
29	Lantern Ring	192	Retaining Ring (Bearing)
31	Bearing Housing (Inboard)		

* For domestic service we recommend these parts be carried in stock as spares

‡ Double wearing rings furnished as standard equipment on 8" and larger pumps all other as special equipment only
Seal piping (127) & Lantern Ring (29) will be furnished only when suction pressure is less than atmospheric

* Recommended Spare Parts

SECTION 1200
PAGE 6
DATE 5/19

CRANE
®

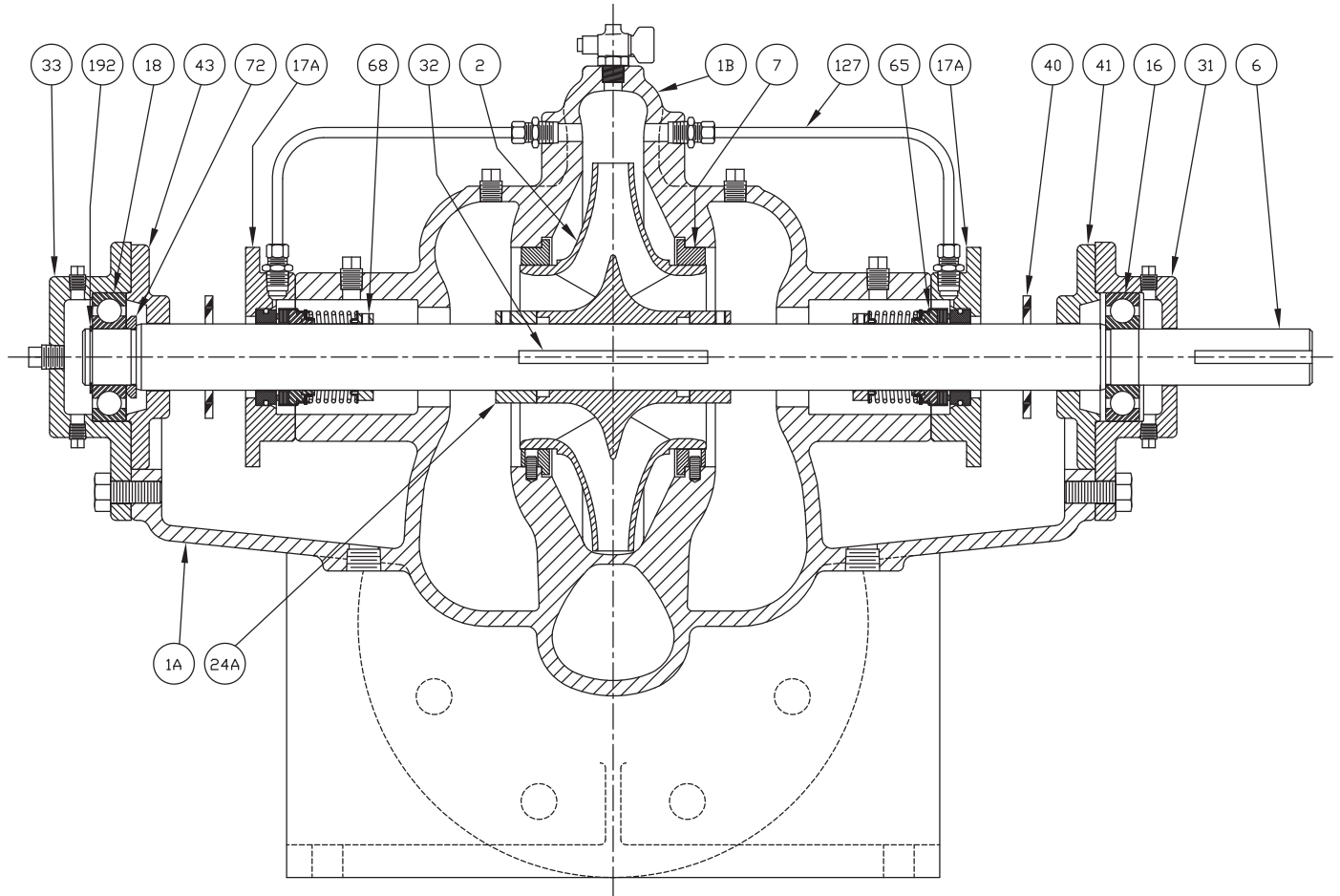
A Crane Co. Company

PUMPS & SYSTEMS

USA: (937) 778-8947 • Canada: (905) 457-6223 • International: (937) 615-3598

Split Case Pumps - Horizontally Mounted

Double Suction with Mechanical Shaft Seals



Item No.	Name of Part	Item No.	Name of Part
1A	Lower Half Casing	33	Bearing Housing (Outboard)
1B	Upper Half casing	40	Deflector (Liquid)
* 2	Impeller	41	Bearing Cap (Inboard)
6	Pump Shaft	43	Bearing Cap (Outboard)
* 7	Casing Ring	* 65	Mechanical Seal
‡ * 8	Impeller Ring (Not Shown)	68	Seal Collar
* 16	Ball Bearing (Inboard)	72	Thrust Collar
17A	Seal Cap	* 73	Casing Gasket - Suction Side (Not Shown)
* 18	Ball Bearing (Outboard)	* 73A	Casing Gasket - Discharge Side (Not Shown)
24A	Shaft Collar	127	Seal Piping
31	Bearing Housing (Inboard)	192	Retaining Ring (Bearing)
* 32	Impeller Key		

* For domestic service we recommend these parts be carried in stock as spares

‡ Double wearing rings furnished as standard equipment on 8" and larger pumps all other as special equipment only
Seal piping (127) & Lantern Ring (29) will be furnished only when suction pressure is less than atmospheric

* Recommended Spare Parts

Pump Assembly

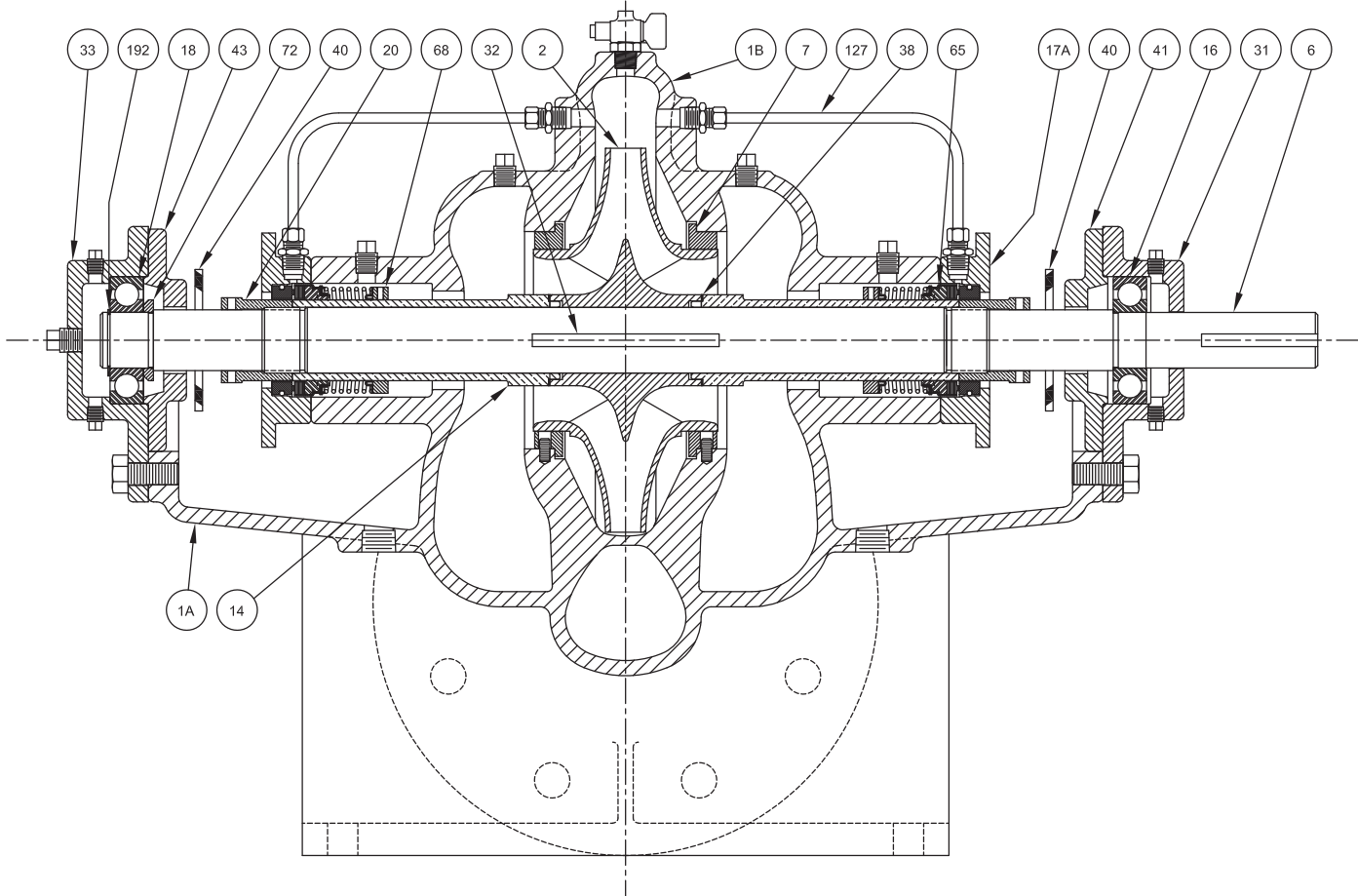
Models L1, L2, L3, L4, L5, L6
Bulletin 1200

WEINMAN®

www.cranepumps.com

Split Case Pumps - Horizontally Mounted

Double Suction with Mechanical Shaft Seals & Shaft Sleeve



Item No.	Name of Part	Item No.	Name of Part
1A	Lower Half Casing	33	Bearing Housing (Outboard)
1B	Upper Half casing	38	Shaft Sleeve Gasket
* 2	Impeller	40	Deflector (Liquid)
6	Pump Shaft	41	Bearing Cap (Inboard)
* 7	Casing Ring	43	Bearing Cap (Outboard)
‡ * 8	Impeller Ring (Not Shown)	* 65	Mechanical Seal
14	Shaft Sleeve	68	Seal Collar
* 16	Ball Bearing (Inboard)	72	Thrust Collar
17A	Seal Cap	* 73	Casing Gasket - Suction Side (Not Shown)
* 18	Ball Bearing (Outboard)	* 73A	Casing Gasket - Discharge Side (Not Shown)
20	Shaft Sleeve Nut	127	Seal Piping
31	Bearing Housing (Inboard)	192	Retaining Ring (Bearing)
* 32	Impeller Key		

* For domestic service we recommend these parts be carried in stock as spares

‡ Double wearing rings furnished as standard equipment on 8" and larger pumps all other as special equipment only
Seal piping (127) & Lantern Ring (29) will be furnished only when suction pressure is less than atmospheric

* Recommended Spare Parts

SECTION 1200
PAGE 8
DATE 5/19

CRANE
®

A Crane Co. Company

PUMPS & SYSTEMS

USA: (937) 778-8947 • Canada: (905) 457-6223 • International: (937) 615-3598